



TOYOTA

ALWAYS A
BETTER WAY

Camry

Hood Deflector

Installation Instructions

Model year: 2017/09, 2019/02

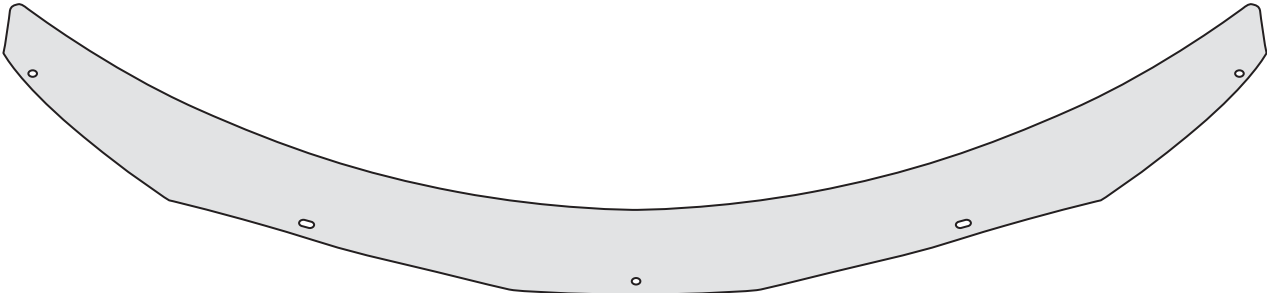

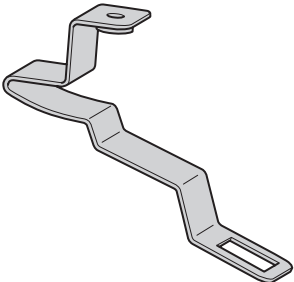
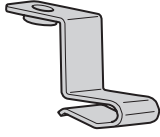



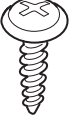

Vehicle code: *CV7*L-*E88**




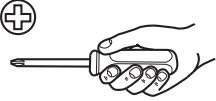
Part number: PZQ15-33140

Manual reference number: AIM 004 203-1

Revision record

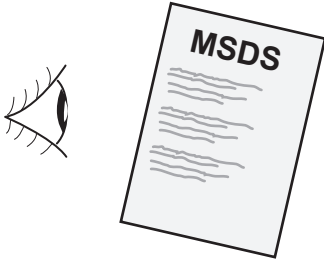
Rev. No.	Date	Page	Picture	Update	New	Deleted steps
1	30.11.2018	1, 2, 8	Part H	Quantity	Model year	

							1x								
B 	C 	D 	E 	F 	G 	H 	I 	5x	2x	3x	2x	5x	5x	2x	1x

   AIM 003-516-*	
--	---

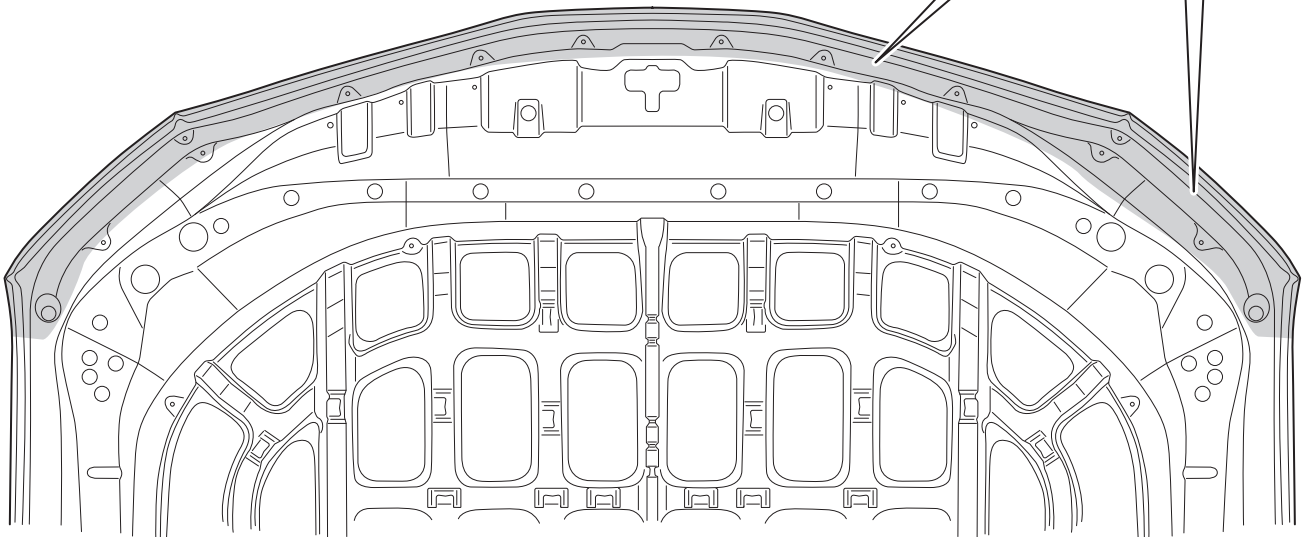
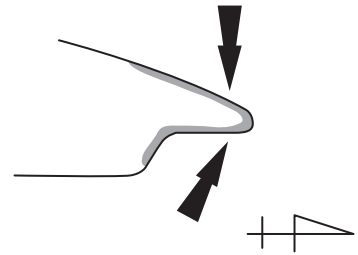
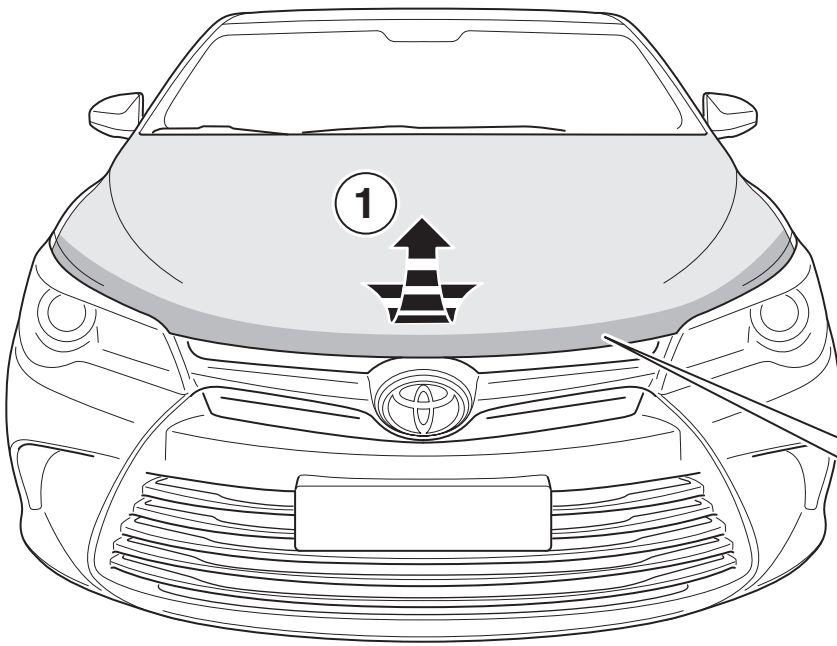
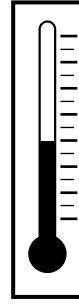
INFO

Material Safety Data Sheet

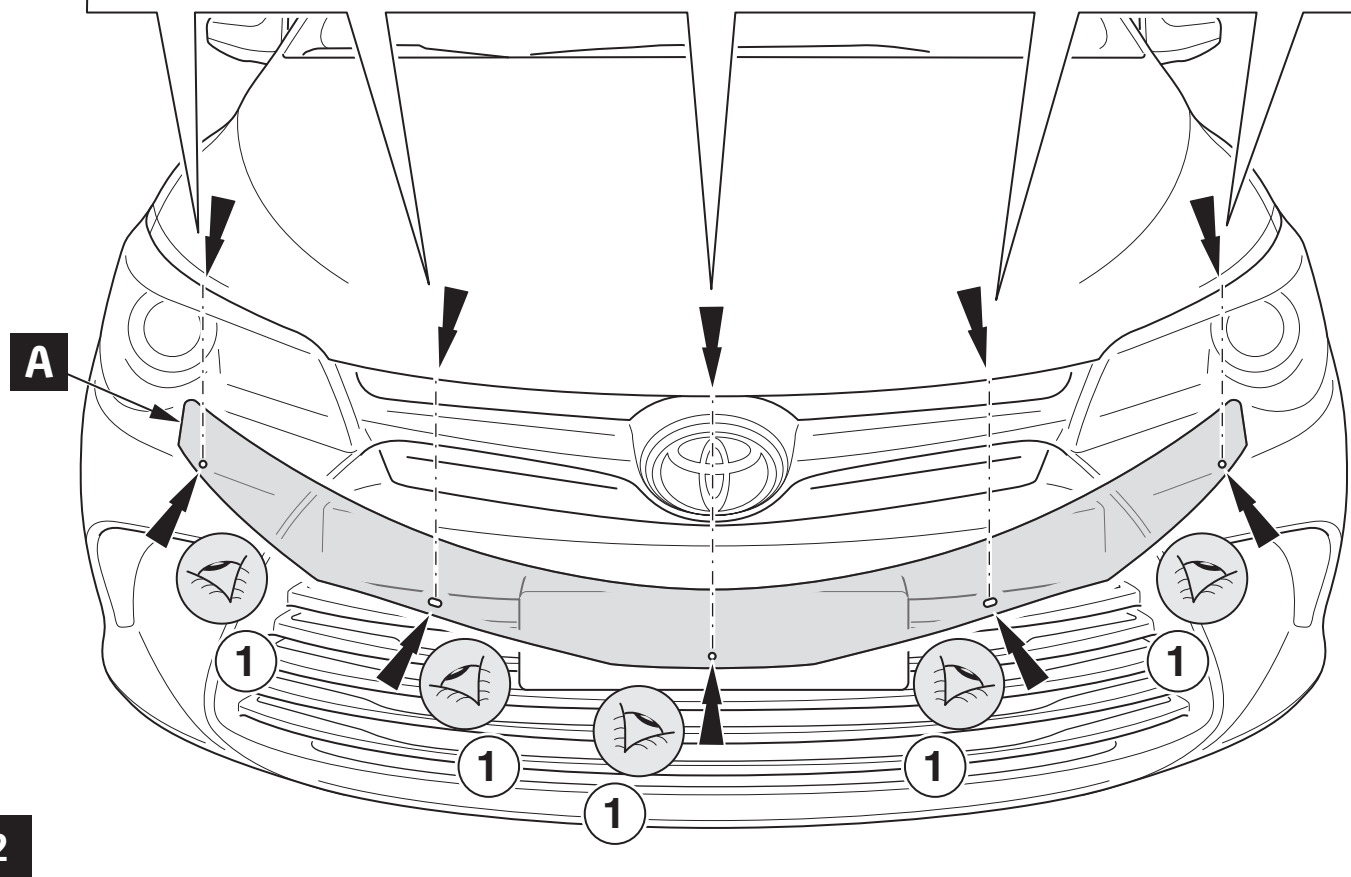
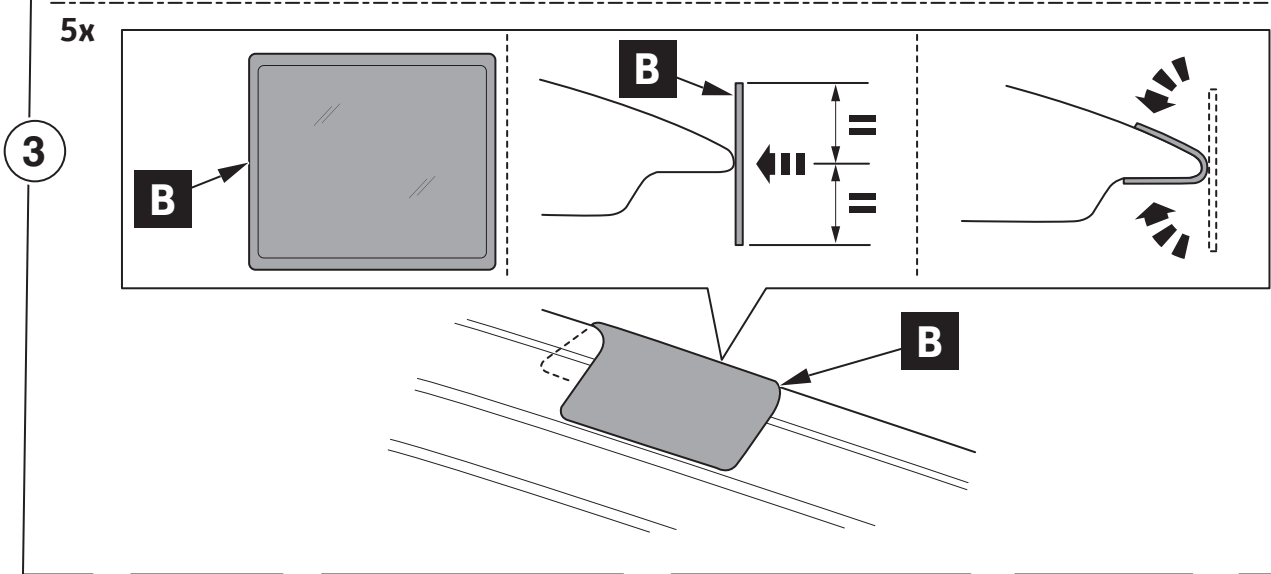
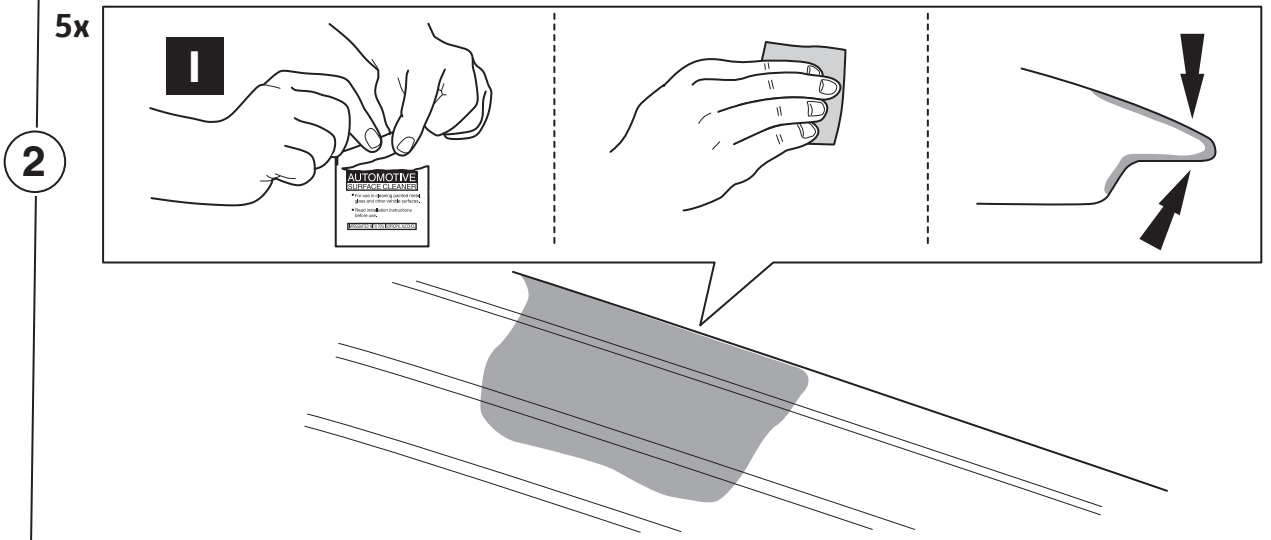


40°C

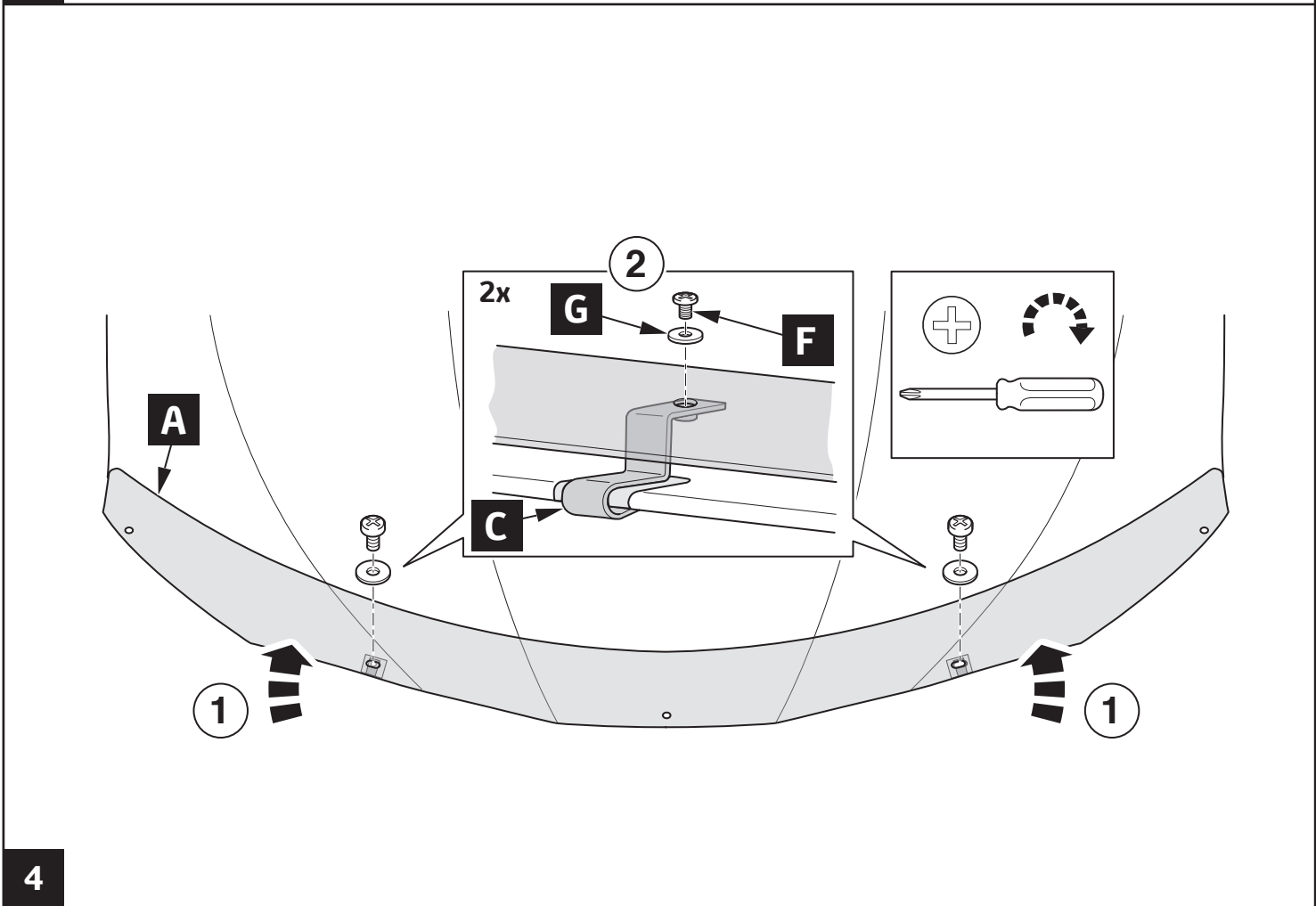
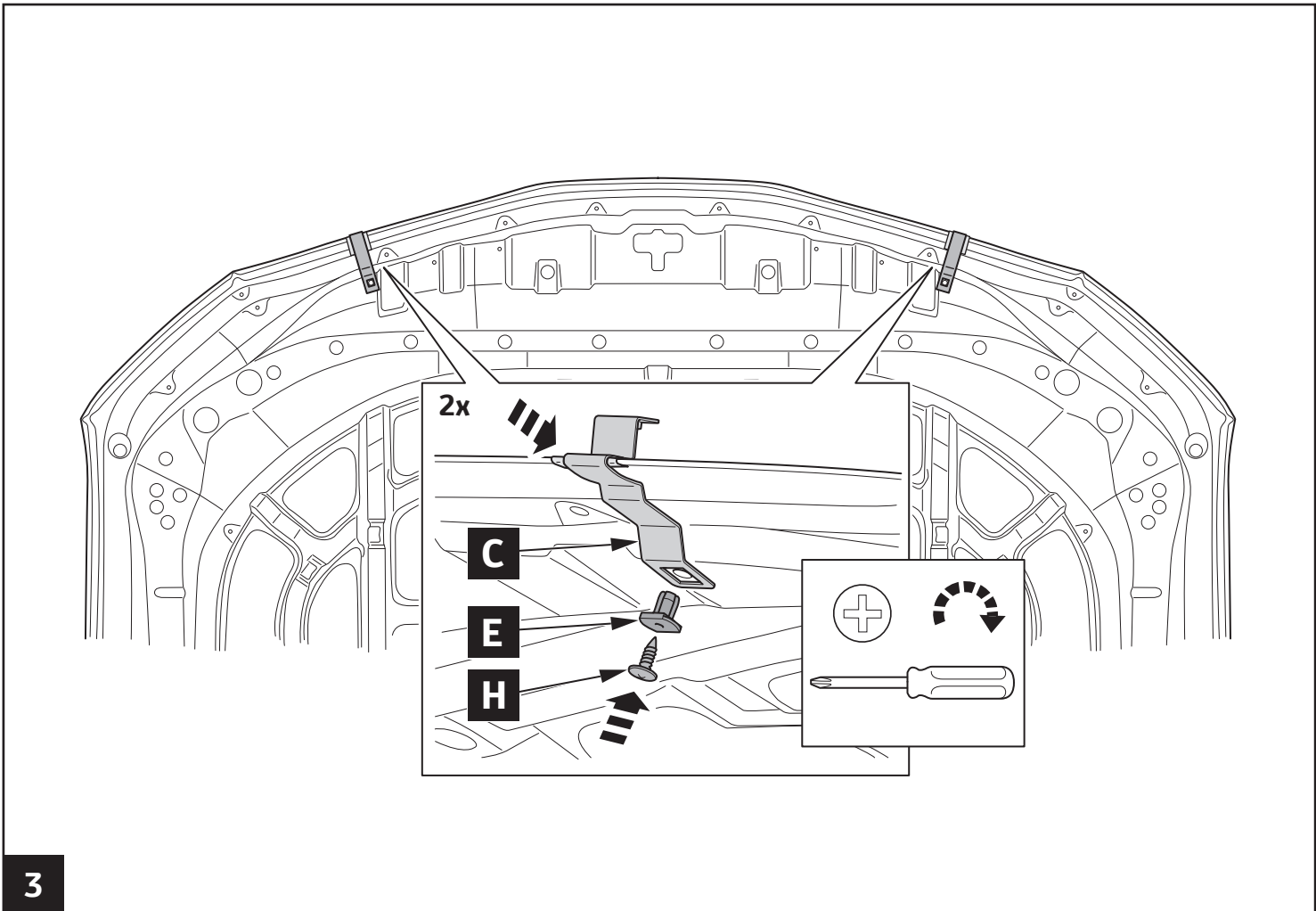
18°C

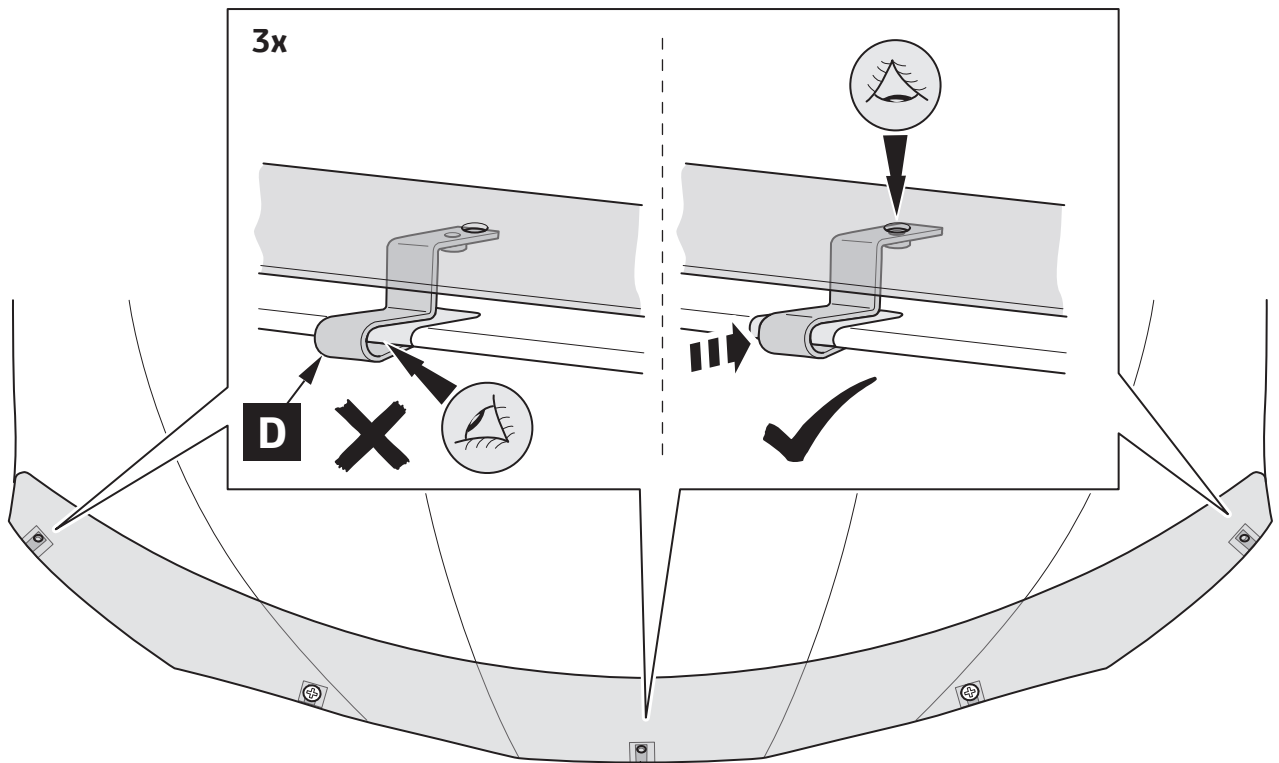
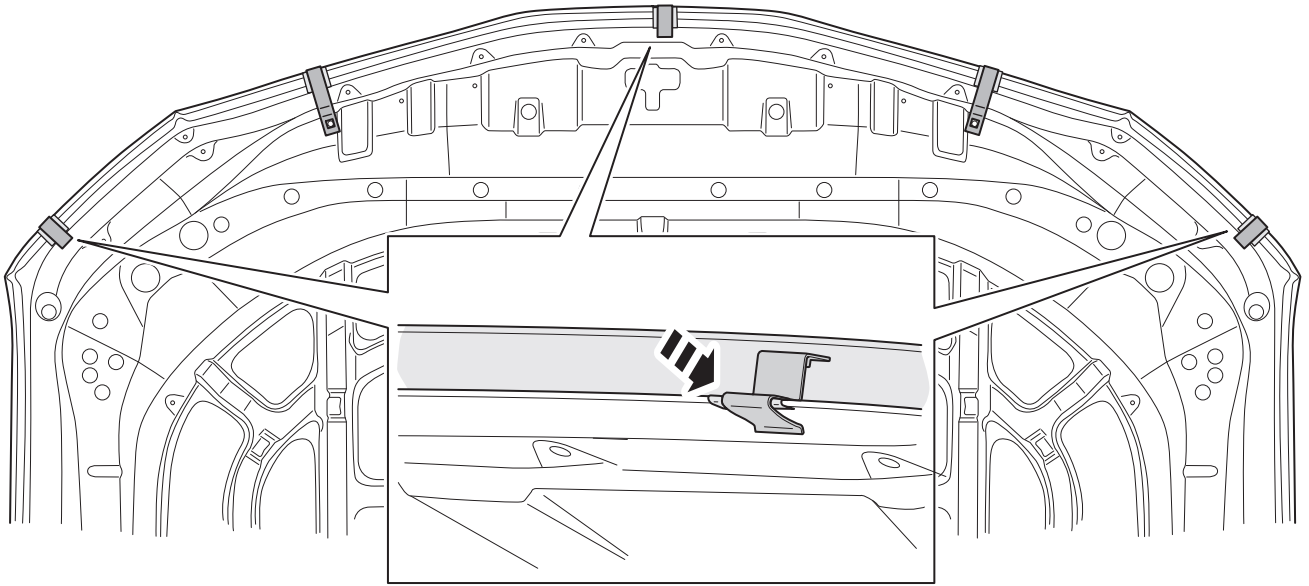


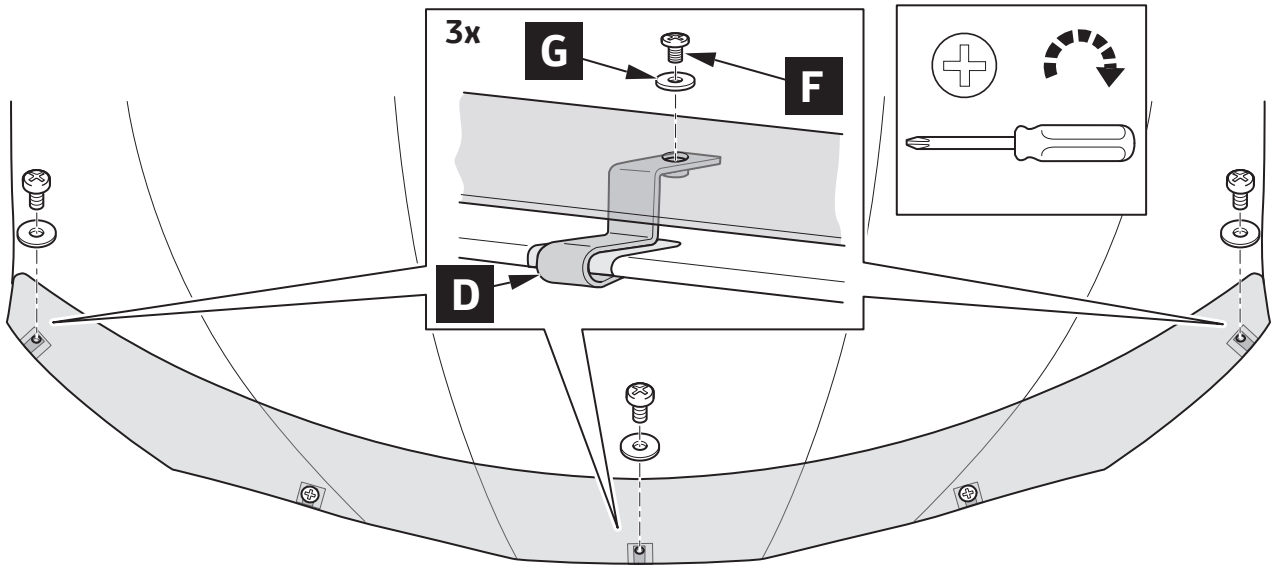
1



2

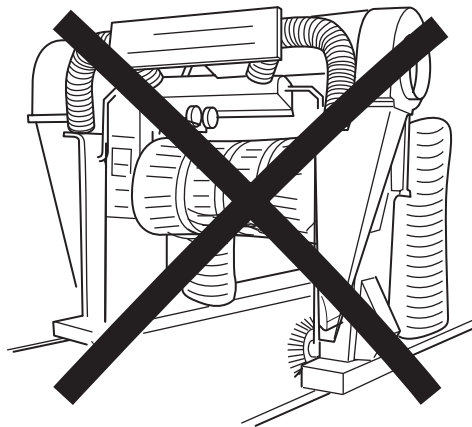






6

INFO





TOYOTA

CHECK SHEET

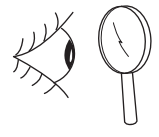
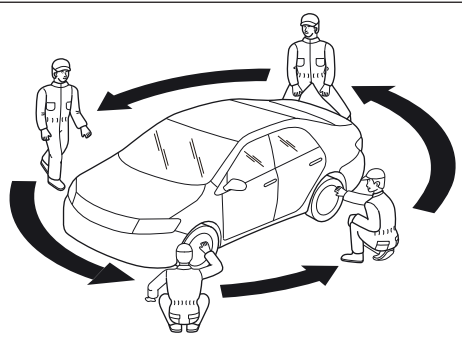
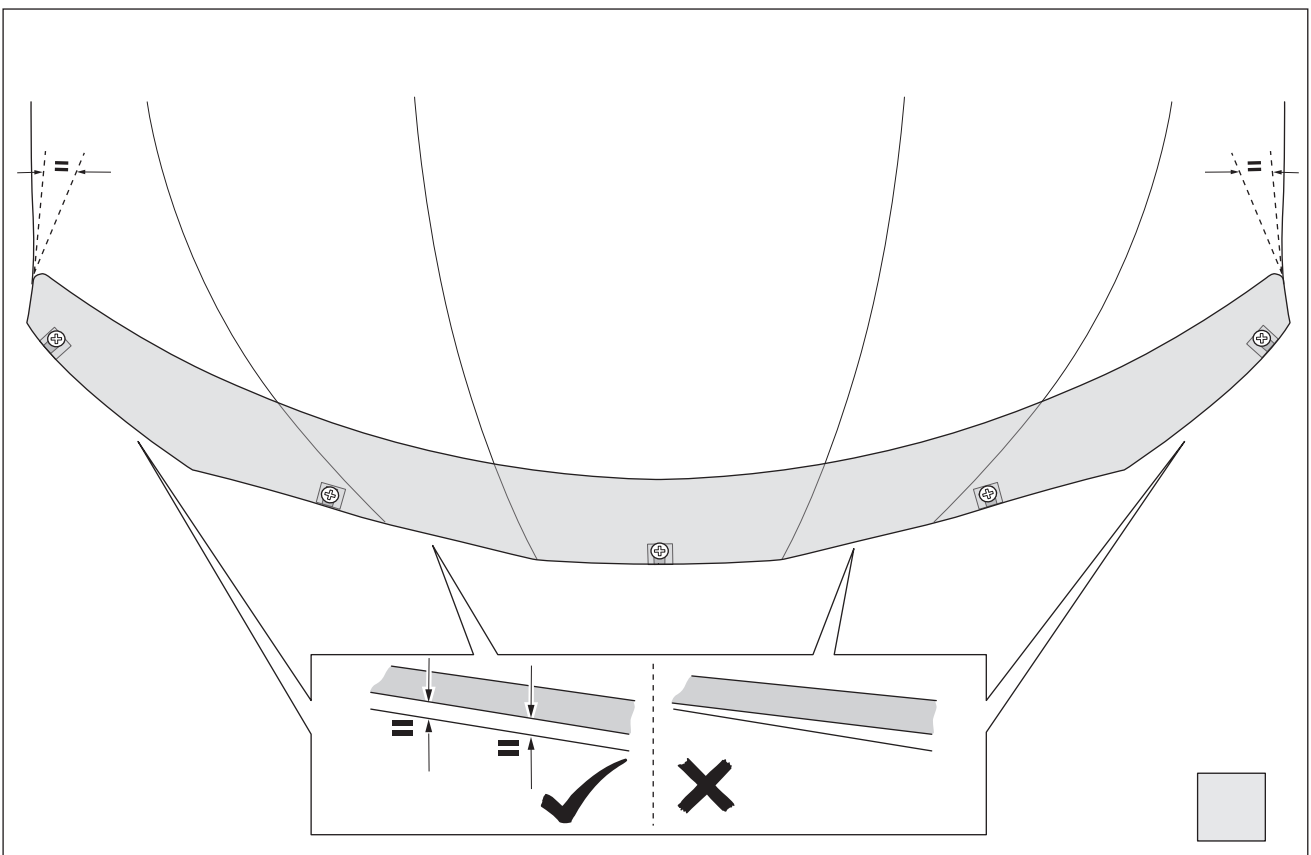
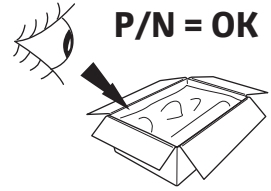
Model / Year

Camry
2017/09, 2019/02

Hood Deflector

VIN n°

ALWAYS A
BETTER WAY



= OK

Installation Date:
. . / . . /

Technician Name & Signature:

Stamp: