



TOYOTA

ALWAYS A
BETTER WAY

Toyota C-HR

Roof rack

Installation Instruction

Model year: as from 2016/10

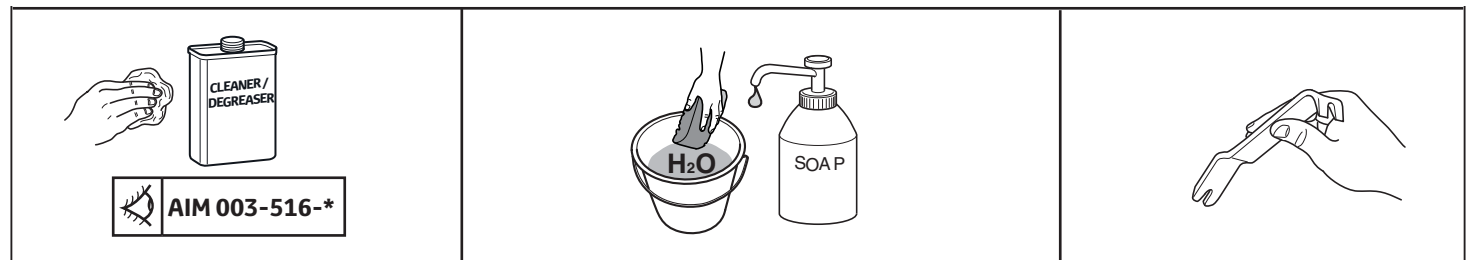
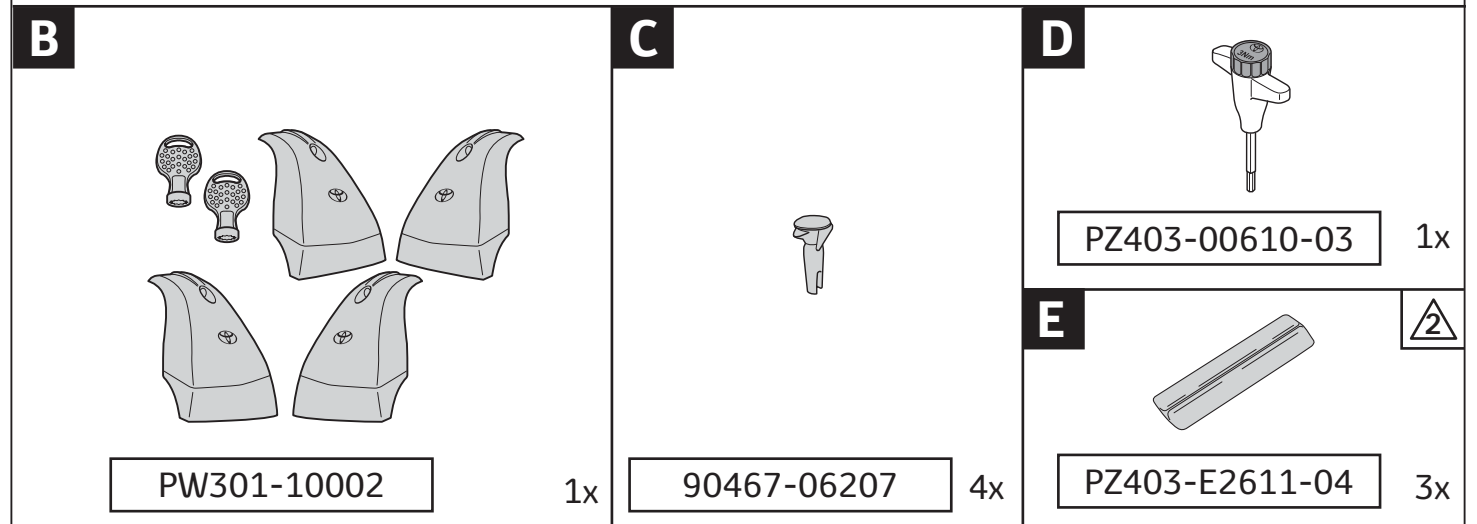
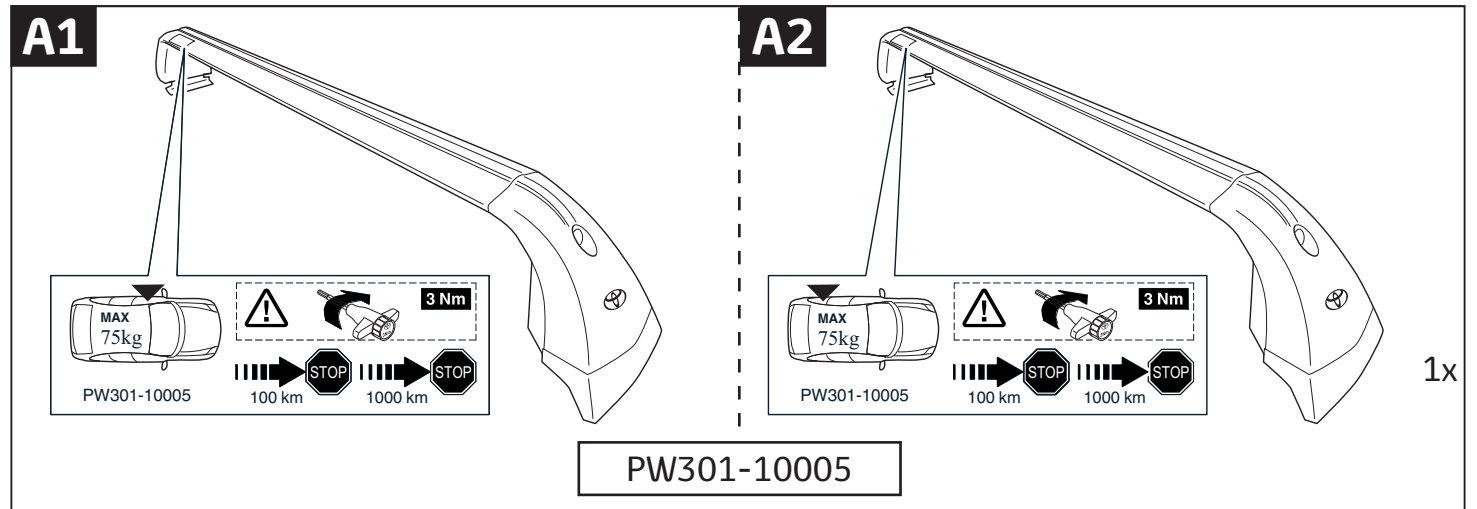
Vehicle code: *****-AH***W
*GX*OL-AH***X
ZYX10L-AHX*BV

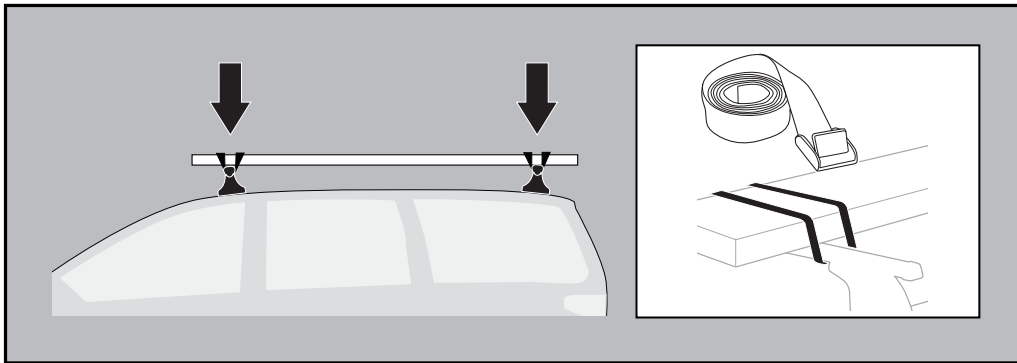
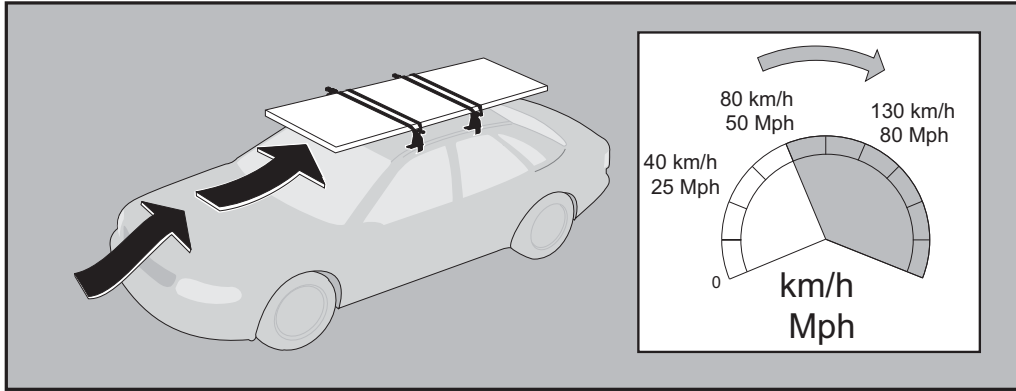
Part number: PW301-10005

Manual reference number: AIM 004 277 - 3

Revision Record

Rev. No.	Date	Page	Step	Remarks
①	27.06.19	1		Model year & vehicle code added
②	23.10.19	2		Part number updated
②	23.10.19	4	1	Step updated
③	12.01.21	1		Model year updated
③	12.01.21	11	C/S	CheckSheet updated & check added

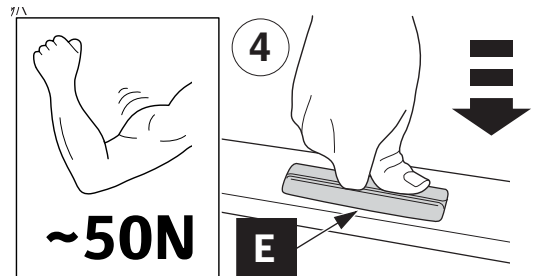
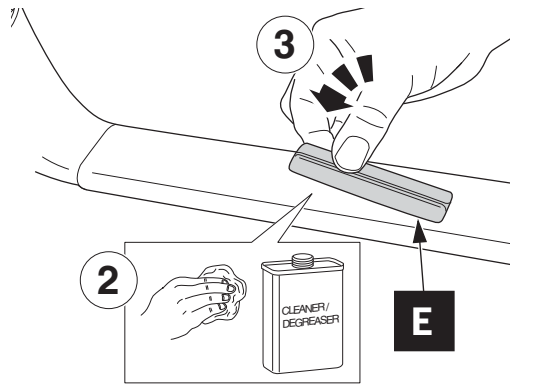
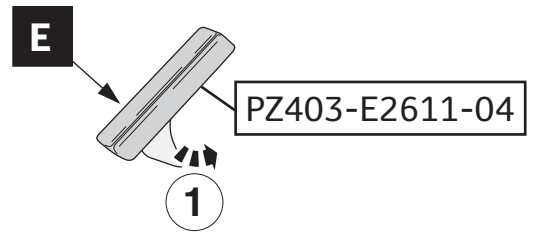
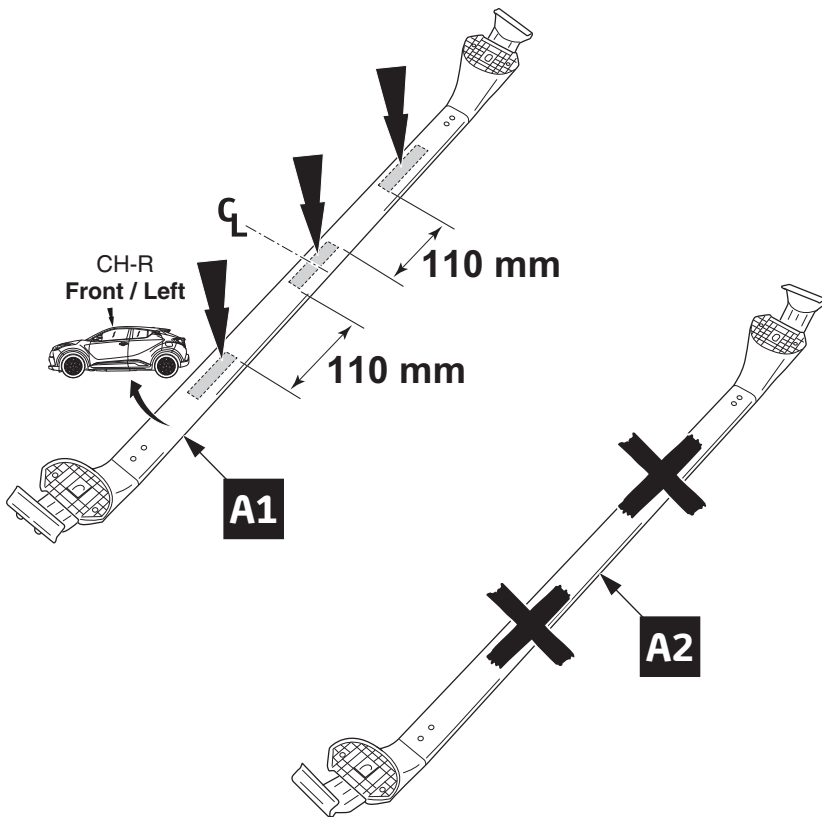
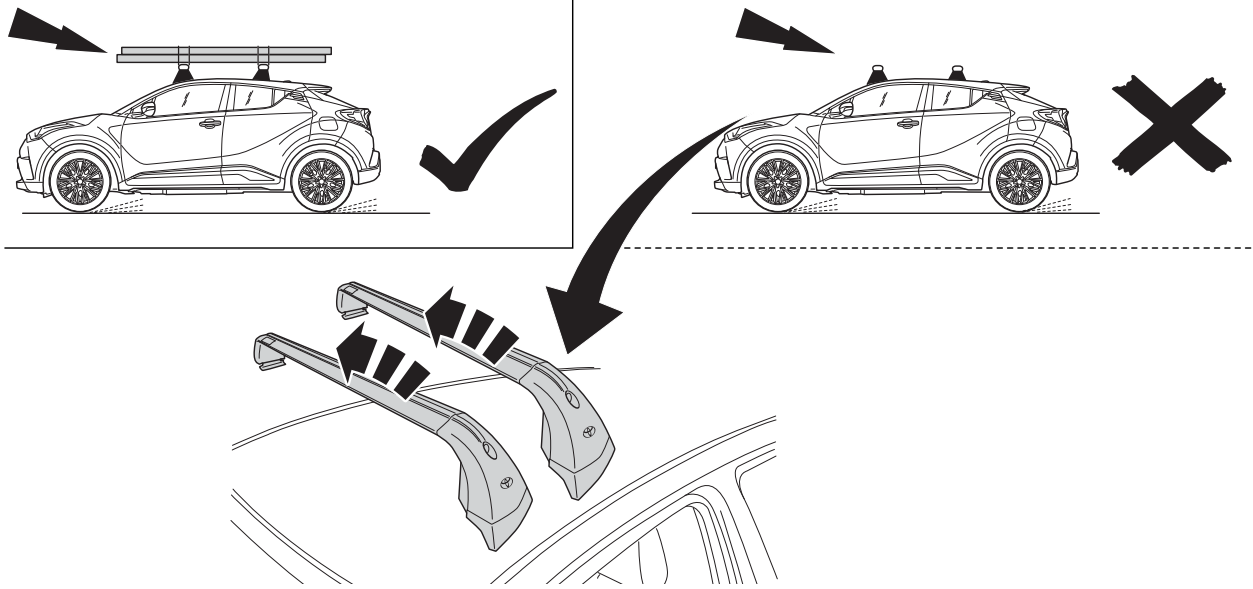


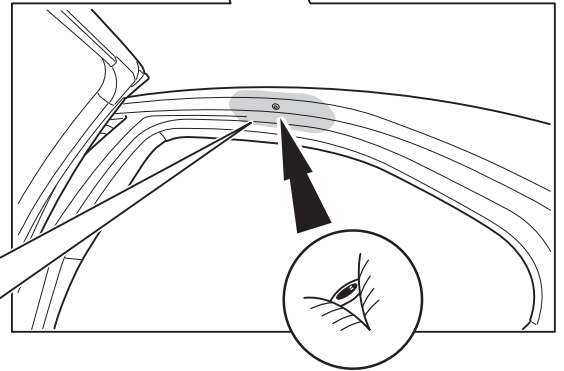
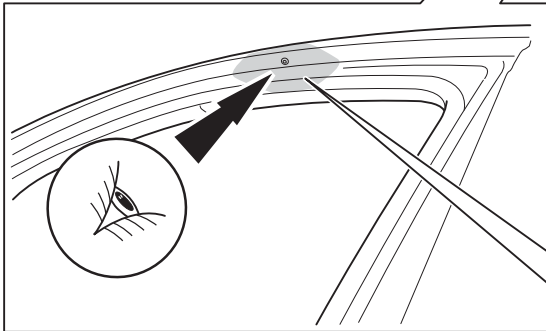
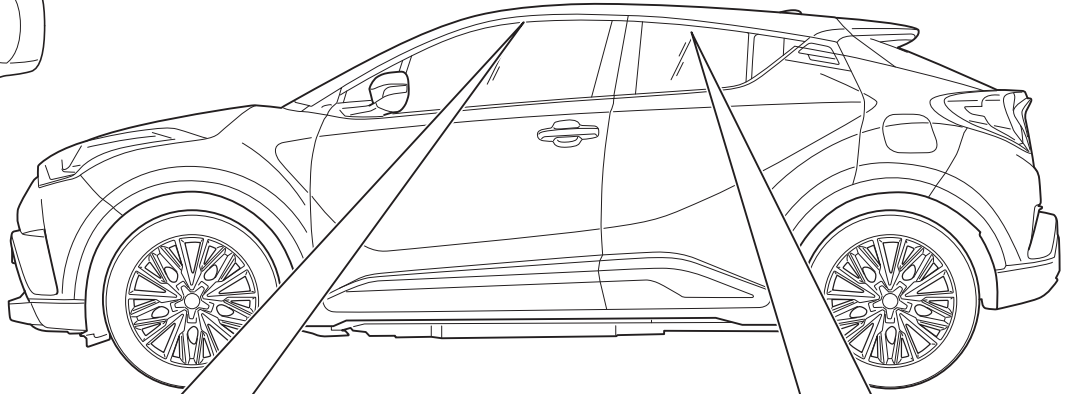
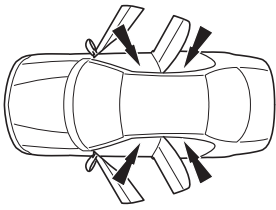


CITY CRASH
Complies with ISO norm

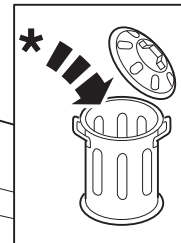
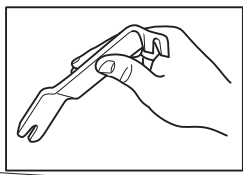
ISO 11154-E

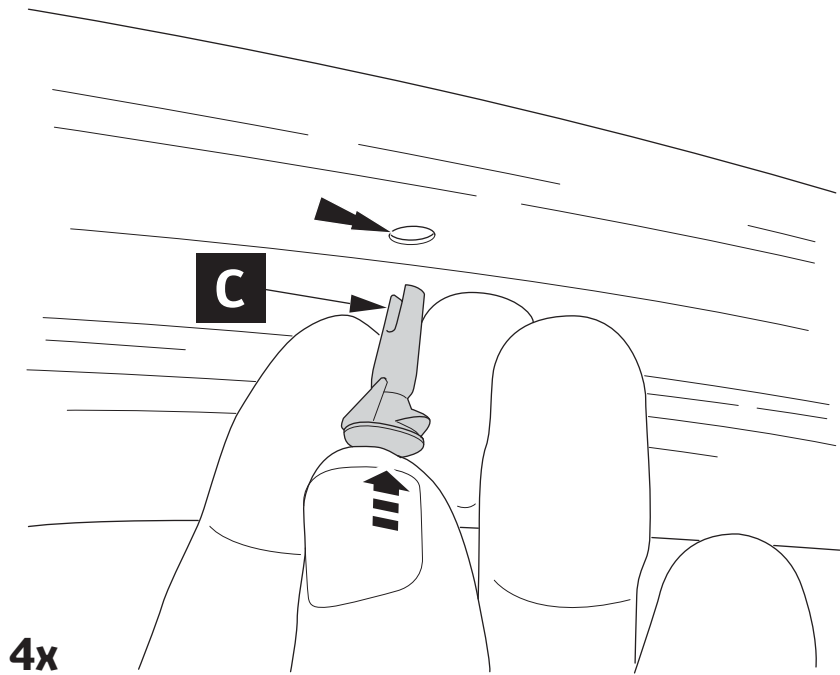
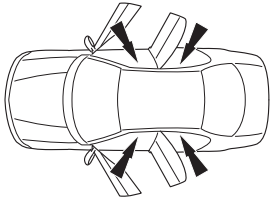
INFO



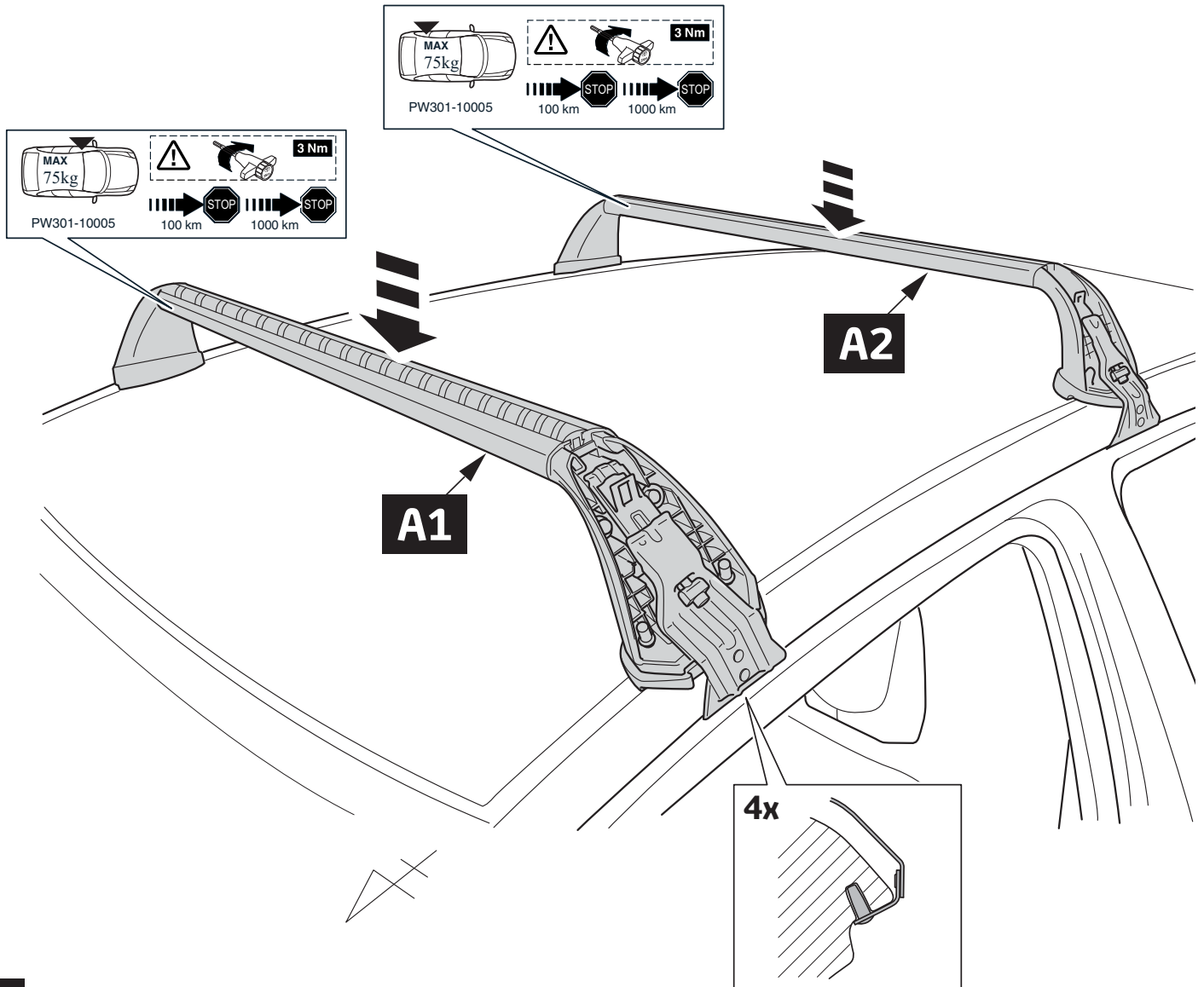


4x

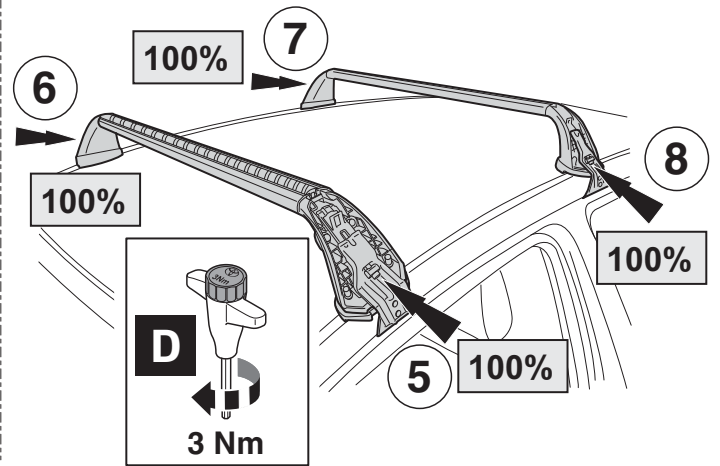
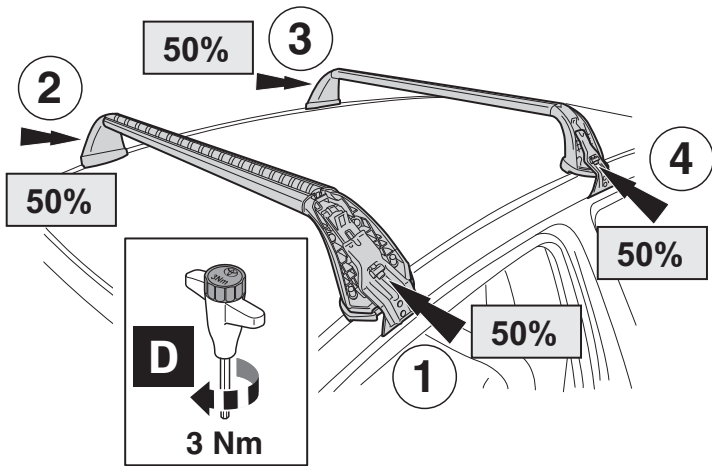
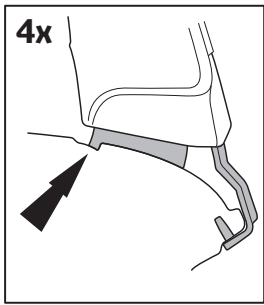




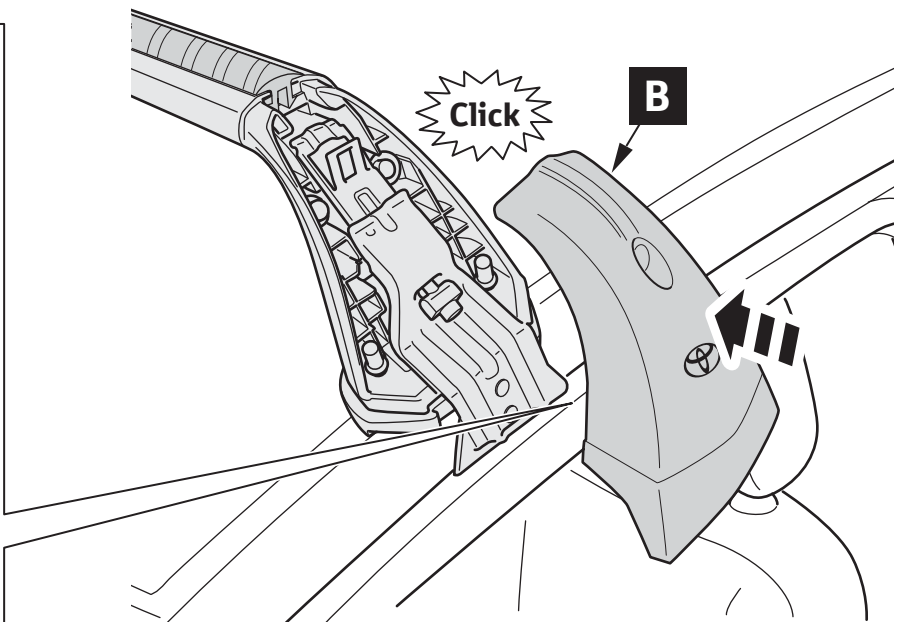
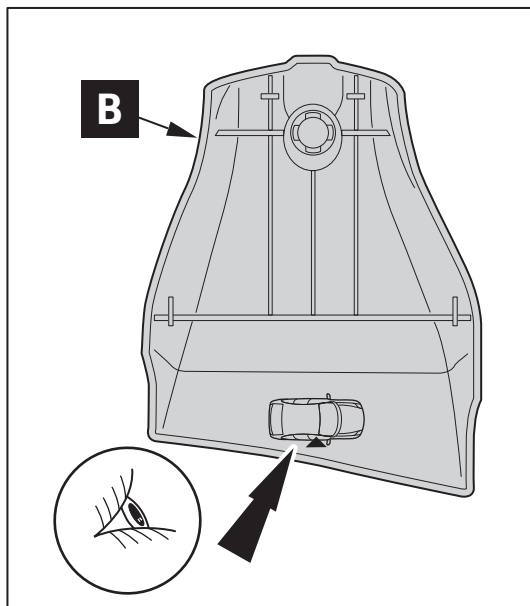
3



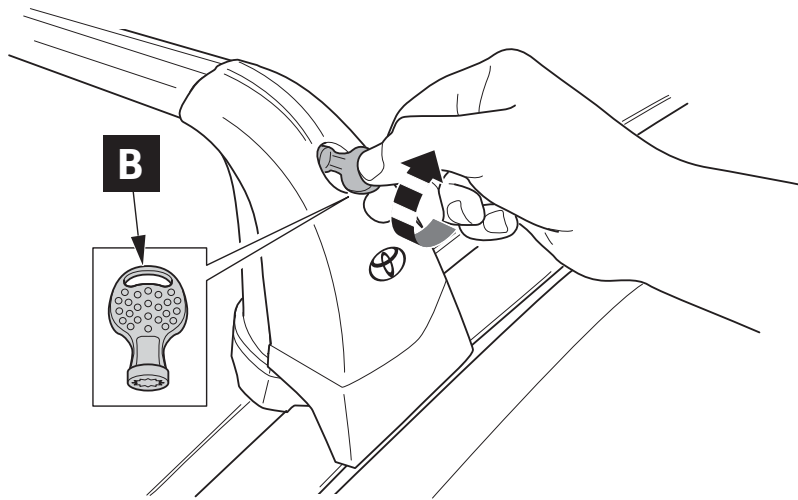
4



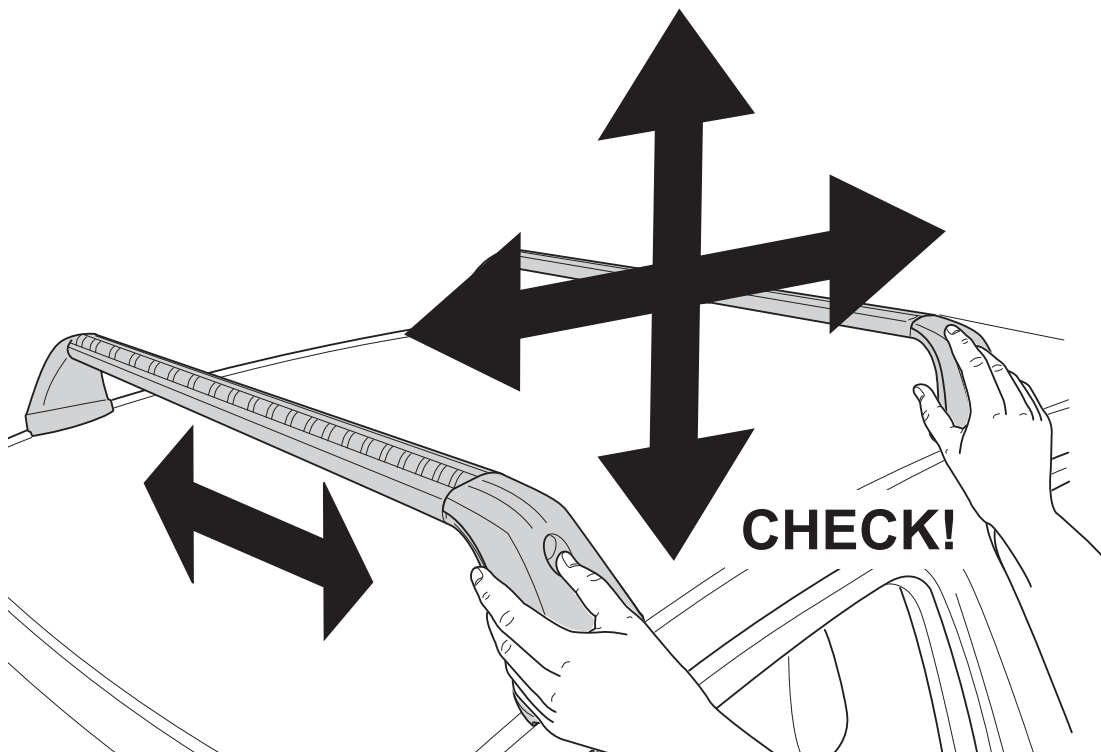
5



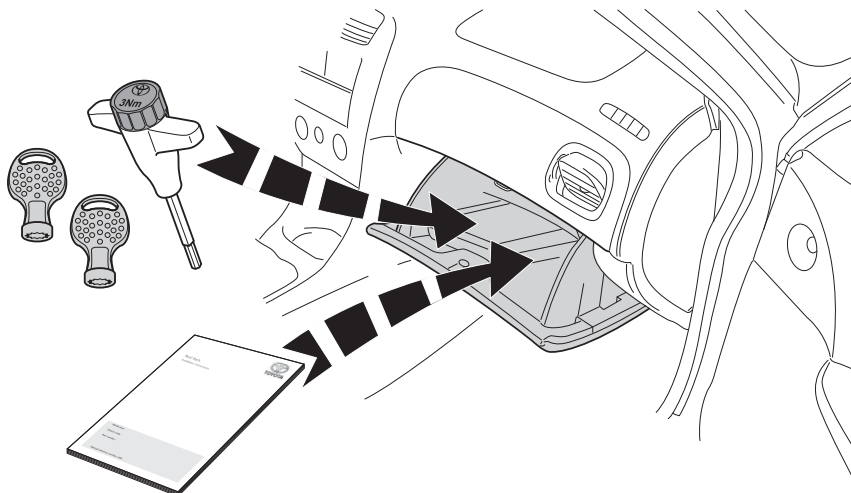
6



7

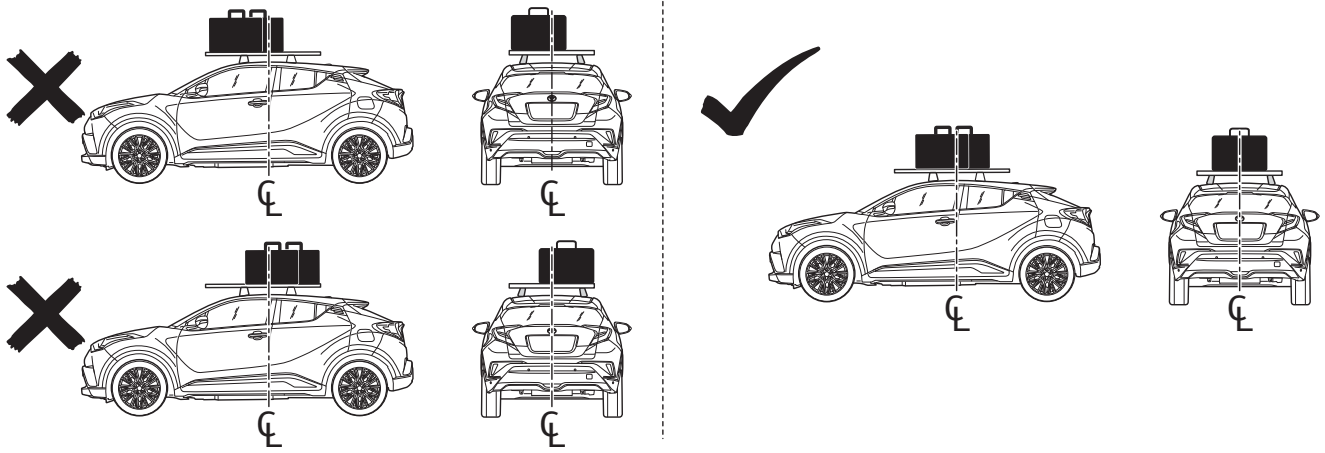


8

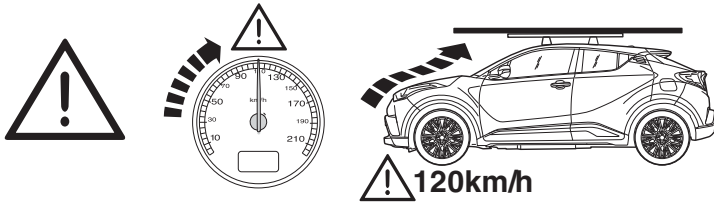


9

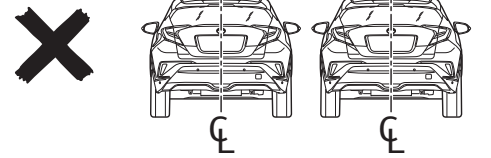
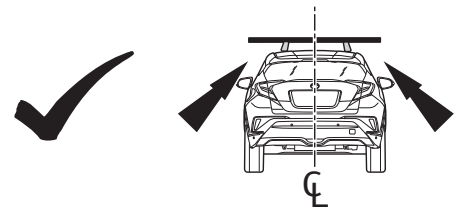
INFO



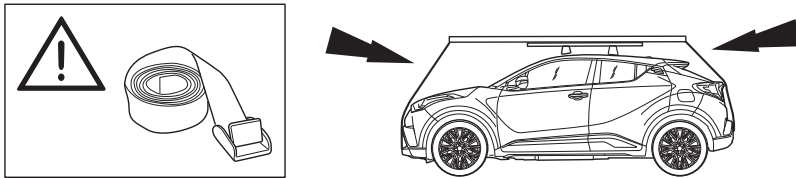
1



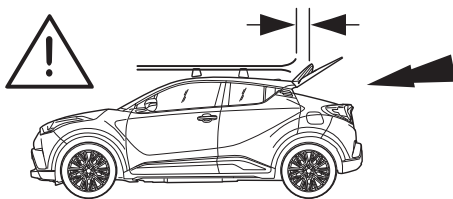
2



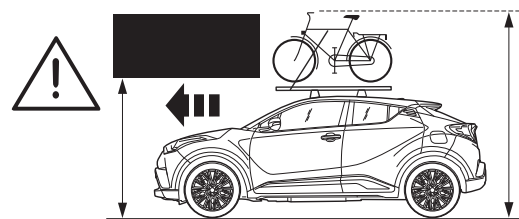
4



3

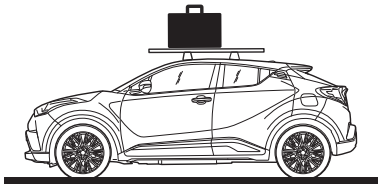
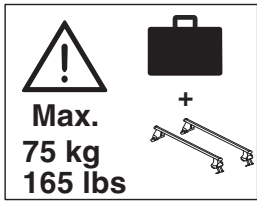


5

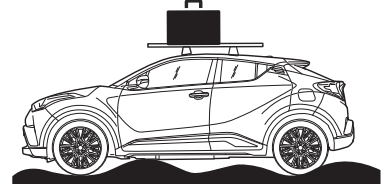
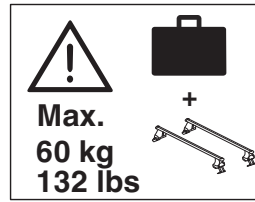


6

INFO

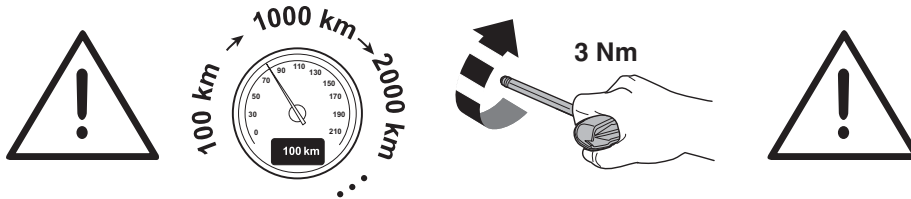


! 120km/h

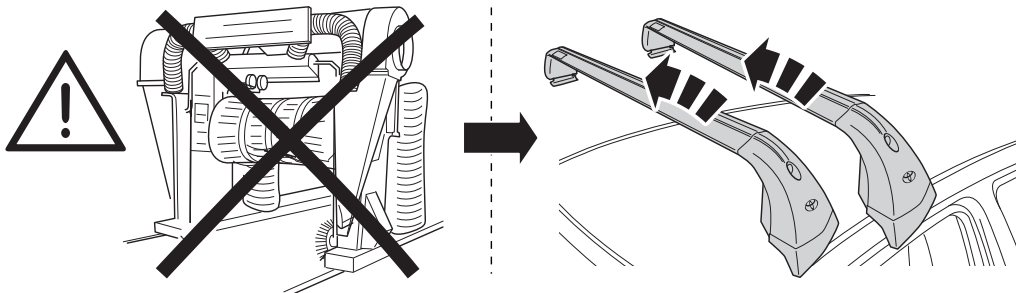


! <120km/h

1



2



3

CHECK SHEET Page 1 of 1


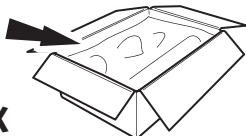


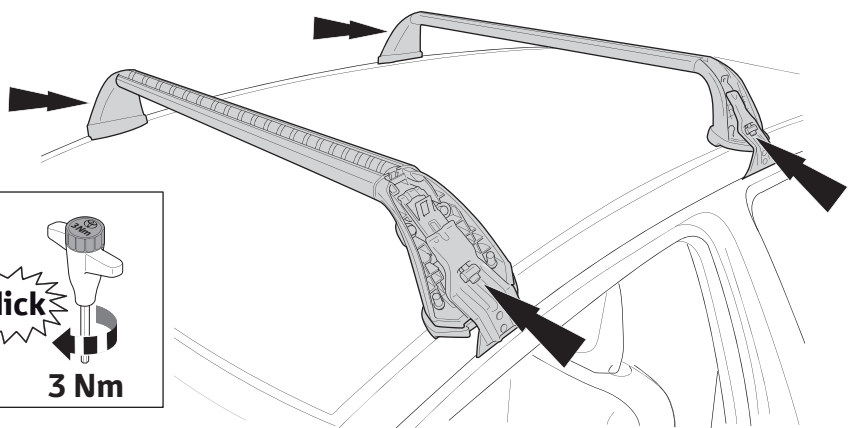
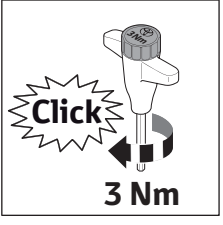
Model / Year C-HR as from 2016/10 Roof Rack

VIN n°

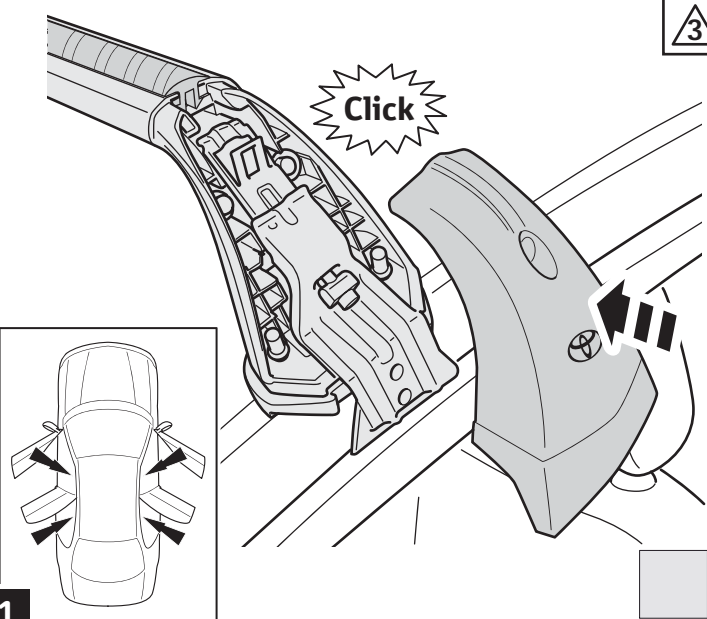


ALWAYS A BETTER WAY

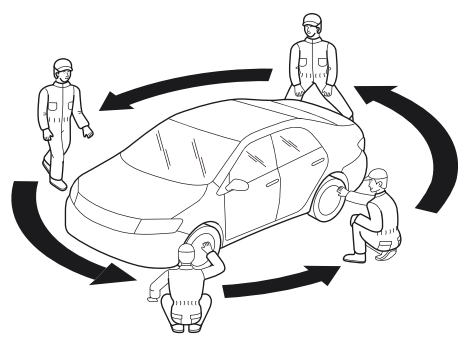
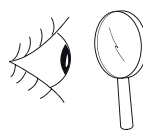
DURING INSTALLATION

1   P/N = OK

2  

AFTER INSTALLATION

1   

2   = OK

Installation Date:
... / ... /

Technician Name & Signature:

Stamp:

