



# Urban Cruiser

Mudflaps front with and without overfender

Installation instructions

Model year: 2009

Vehicle code: N\*P11\*\*-AH\*\*\*W

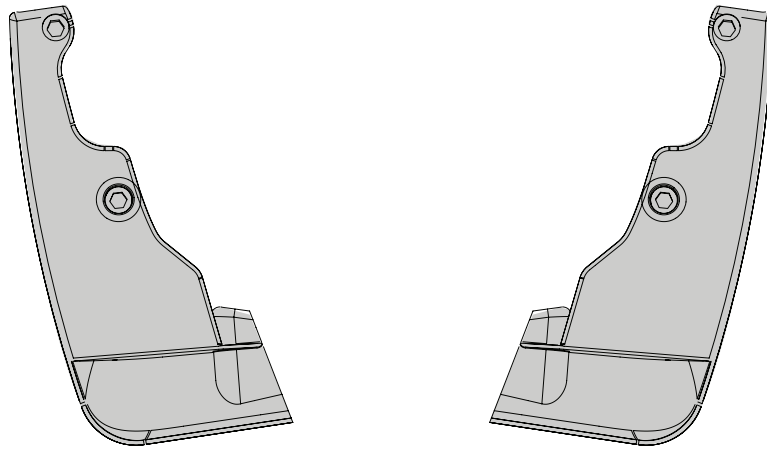
Part number: PZ416-B4960-00

Manual reference number: AIM 001 597-0

# Revision Record

Rev. No.	Date	Page	Picture	Update	New	Deleted

**A**



1x

**B**



6x

**C**

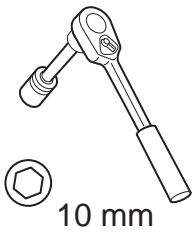


2x

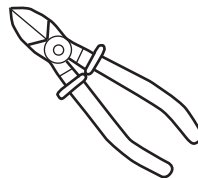
**D**

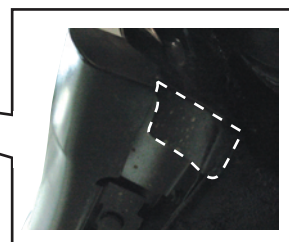
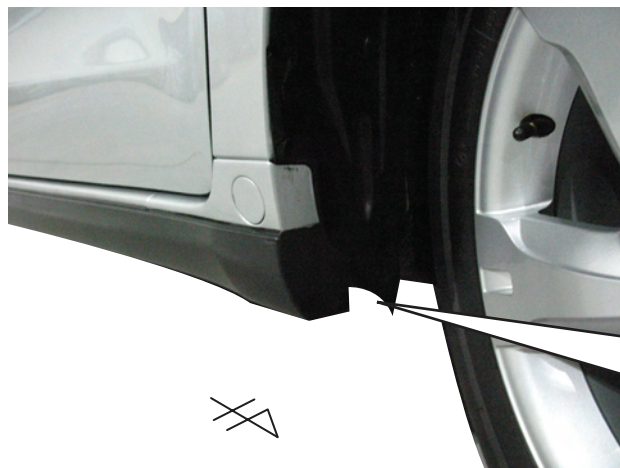
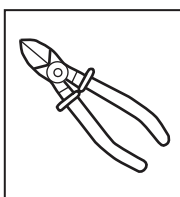


2x

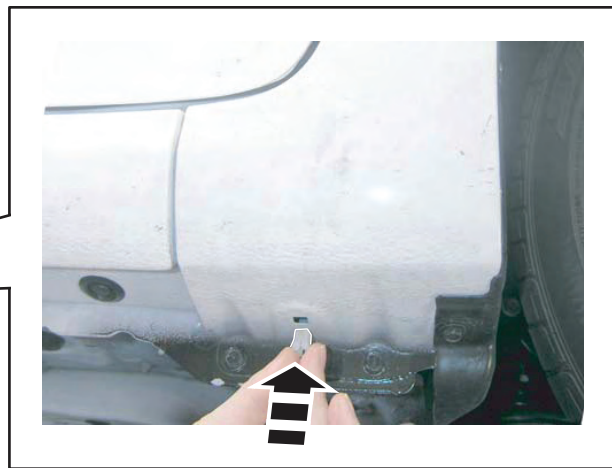
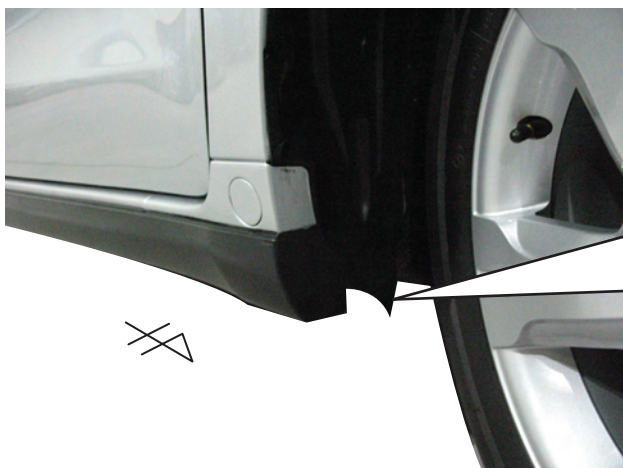


10 mm

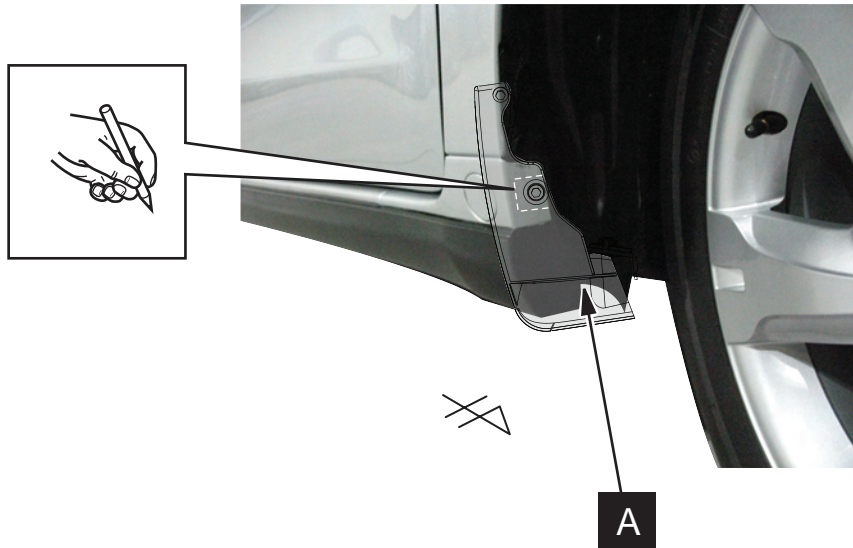




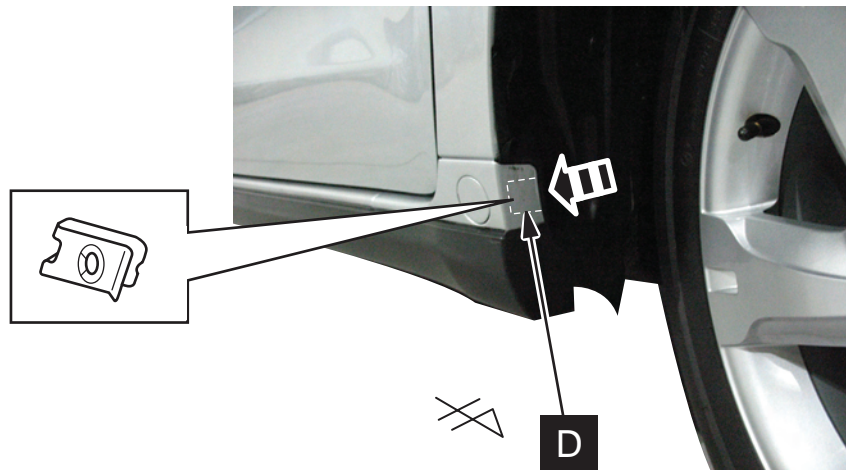
1



2



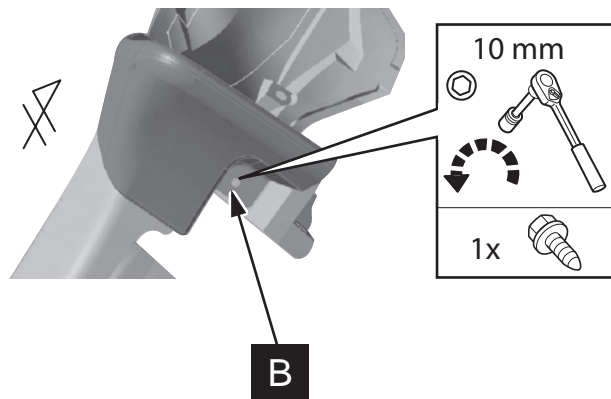
3



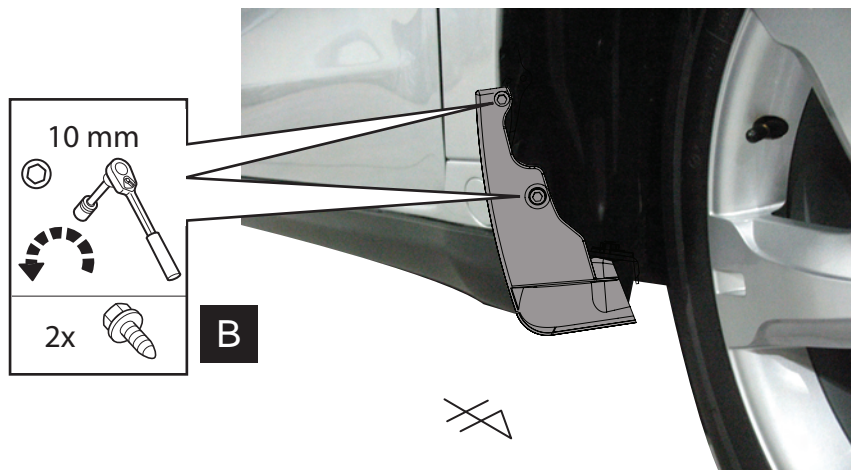
4



5



6



7