

RAV4 RAV4 Plug-In Hybrid

Front & rear set mudflaps

Installation instructions



TOYOTA

ALWAYS A
BETTER WAY

Model year: as from 2018/11
as from 2020/06 (Plug-In Hybrid)

Vehicle code: **A*5**-AN***W

Part number: PK389-42K00-**

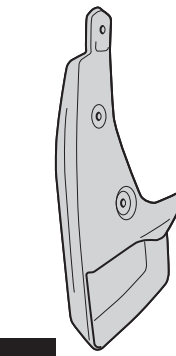
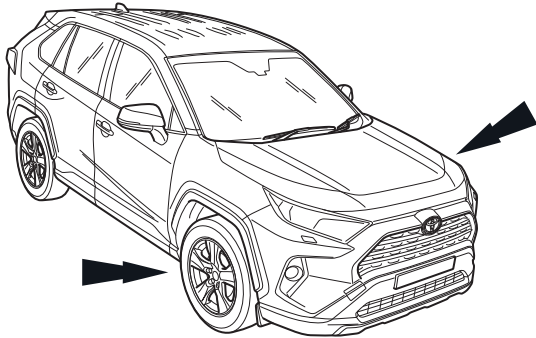
Manual reference number: AIM 004 319 - 3

Revision Record

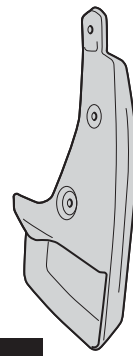
Rev. No.	Date	Page	Picture	Update	New	Deleted steps
1	15.11.18	4, 6-8	6, 13-15	X		
Rev. No.	Date	Page	Step	Remark		
△ 2	05.03.19	3, 4	1, 2, 3	Steps removed		
△ 2	05.03.19	4	4	Overview added		
△ 2	05.03.19	4	5	2x Screw removed		
△ 2	05.03.19	4	6	2x Dimensions removed		
△ 2	05.03.19	5	8	Step removed		
△ 2	05.03.19	6	10, 11, 12, 13, 14	Oveviews and dimensions removed		
△ 2	05.03.19	7	16	Step removed		
△ 3	23.07.20	1, 7	C/S	Model year, vehicle code & part number updated		

PW389-42K00-EP

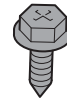
FRONT SET



A 1x



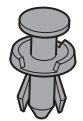
B 1x



C 4x

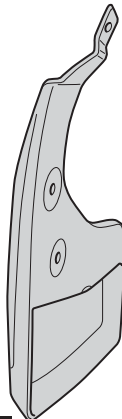
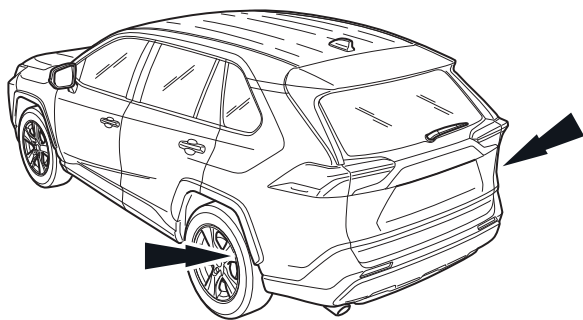


D 2x

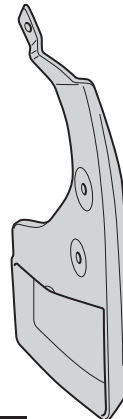


E 2x

REAR SET



F 1x



G 1x



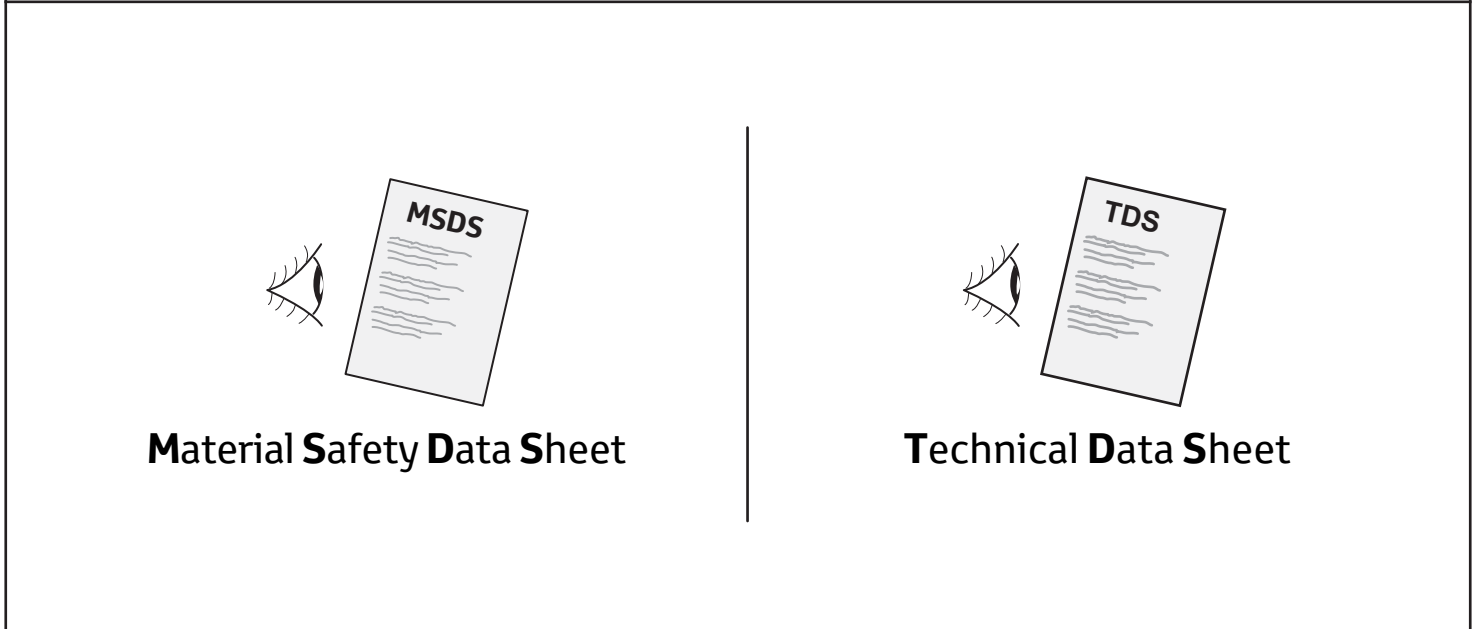
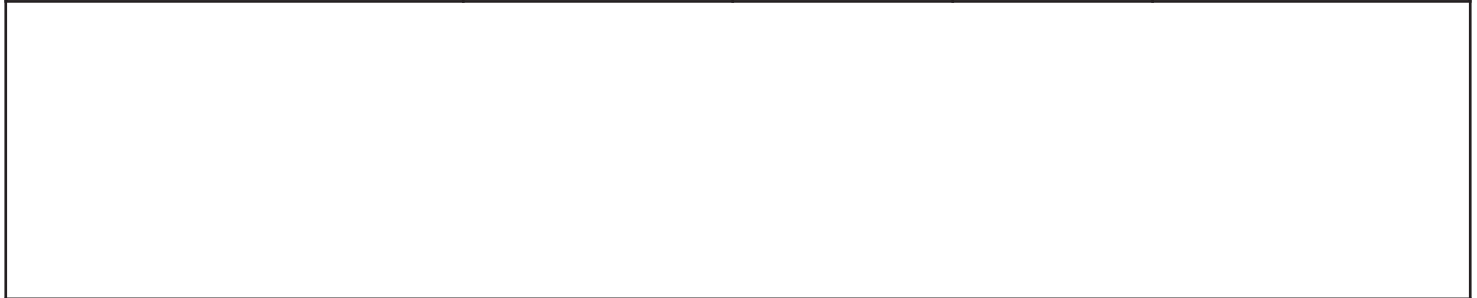
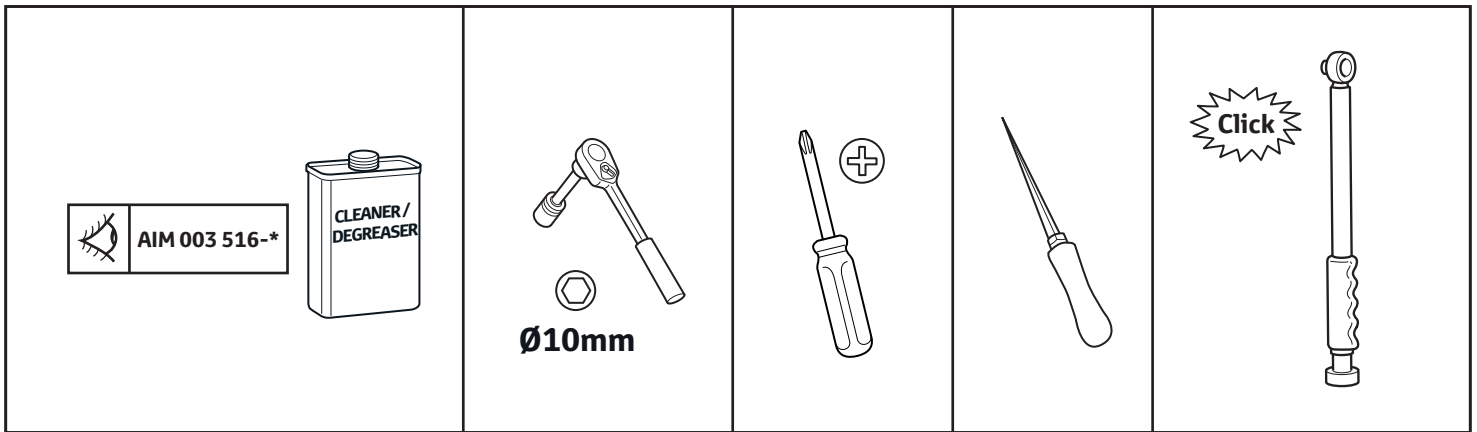
H 2x



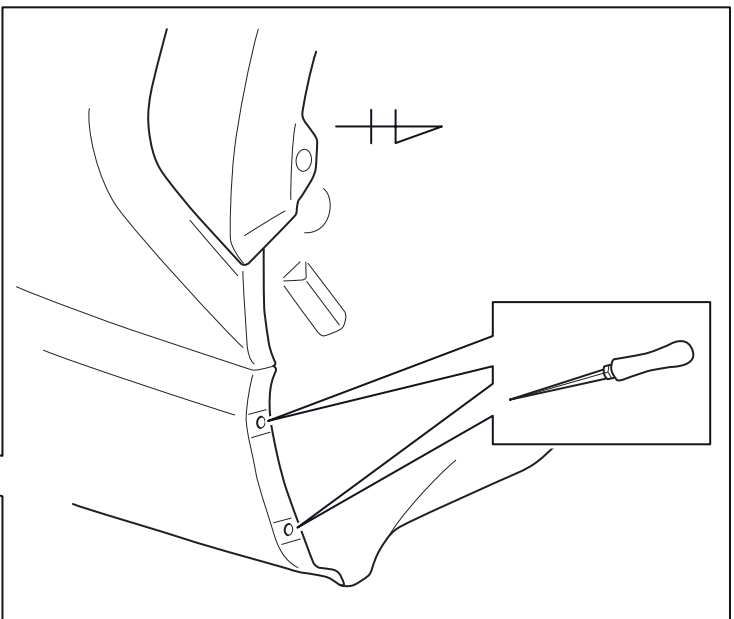
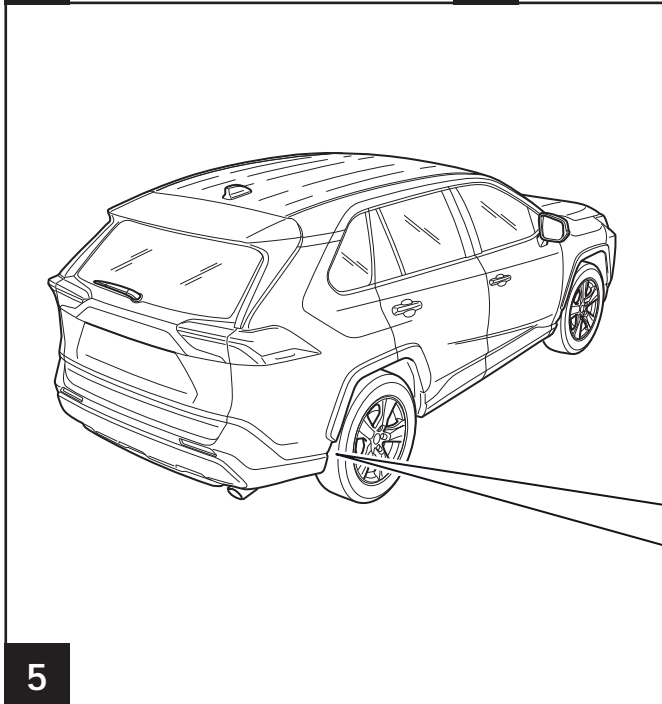
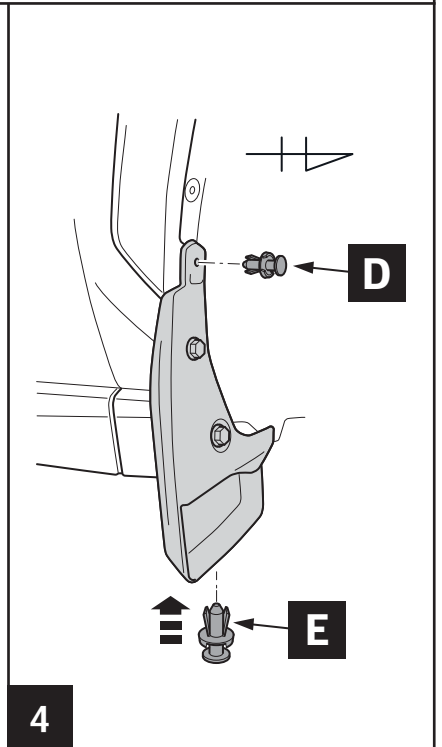
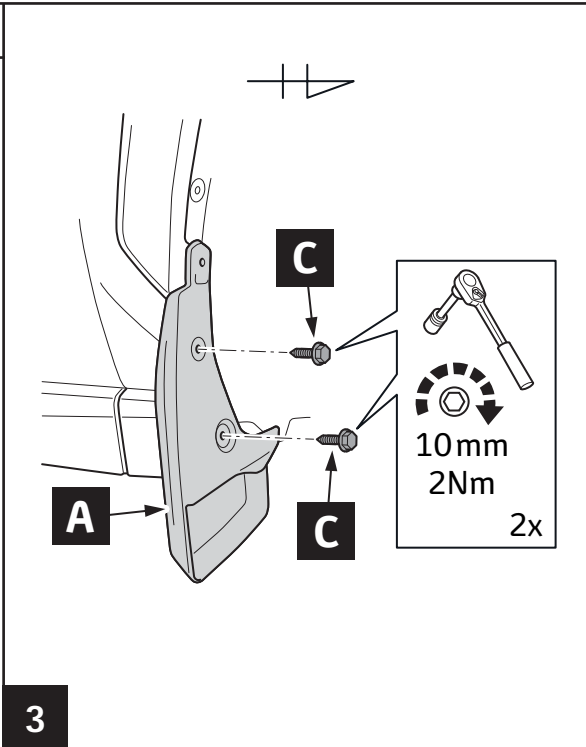
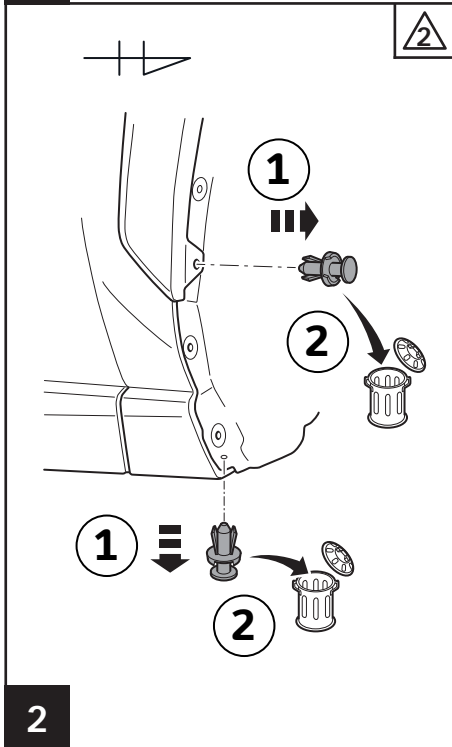
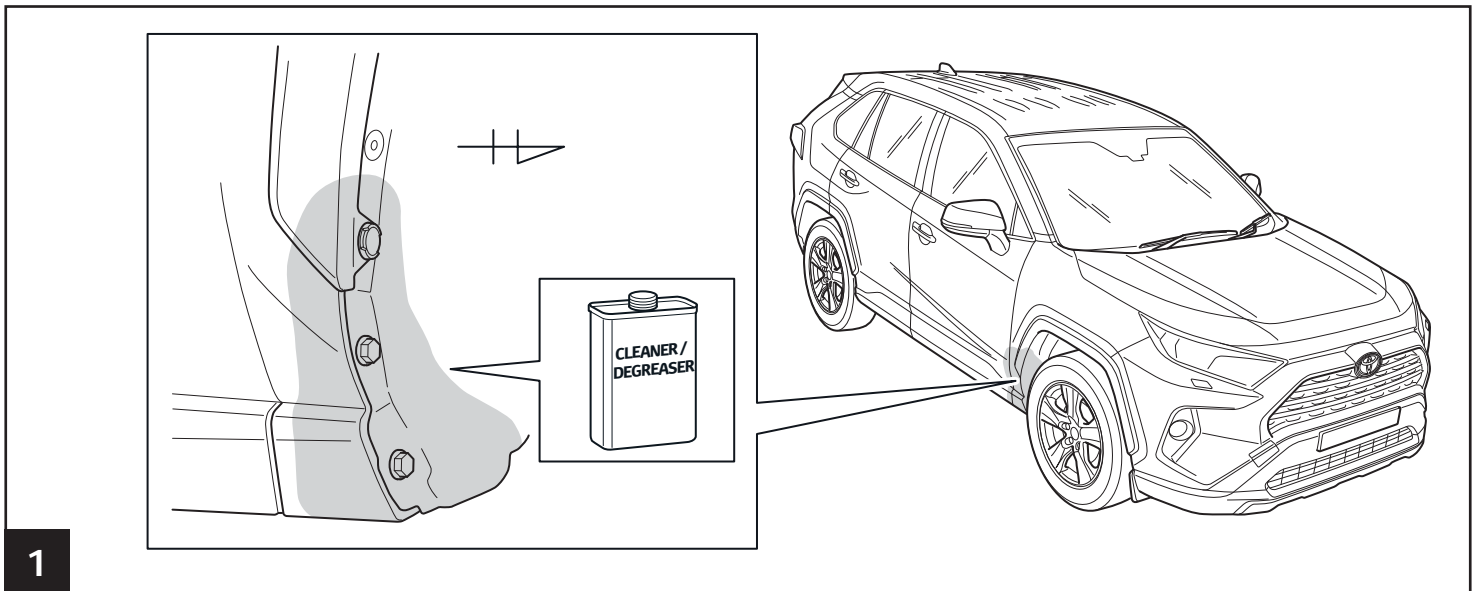
J 6x

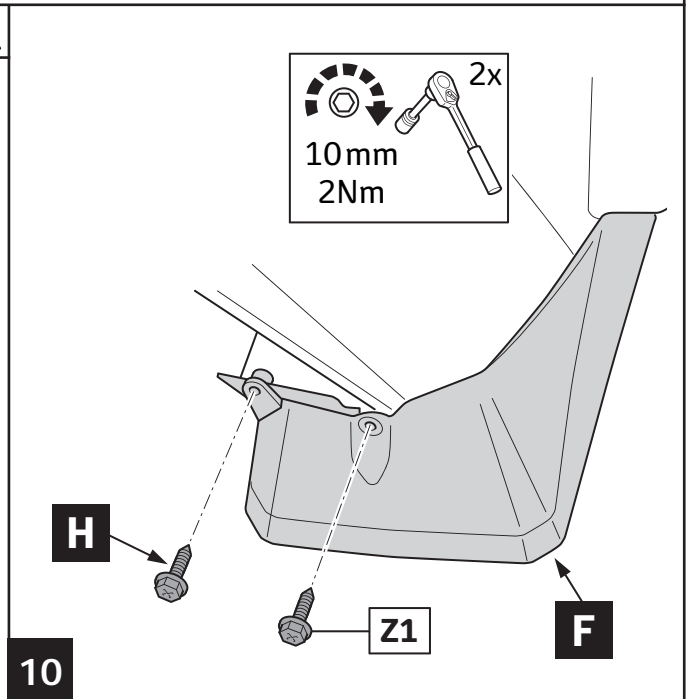
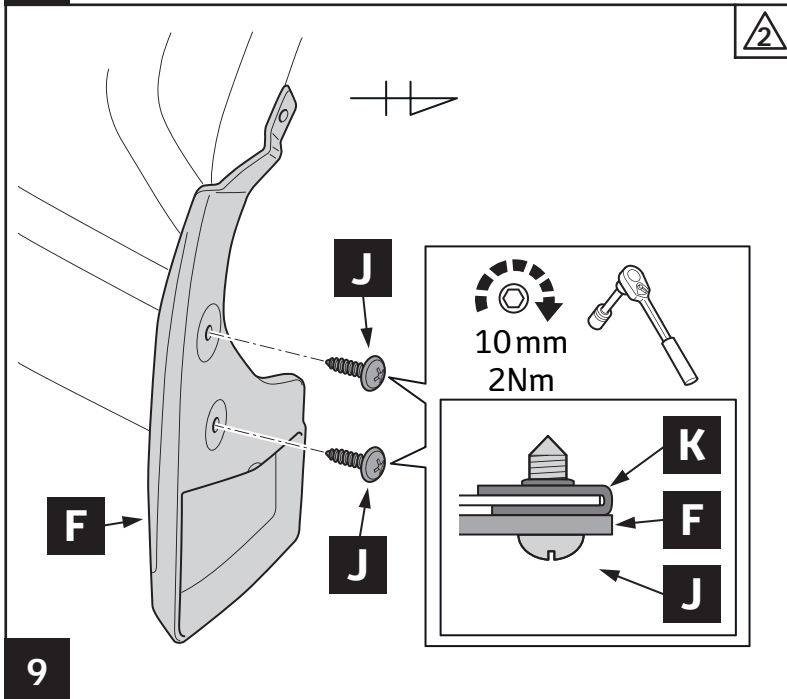
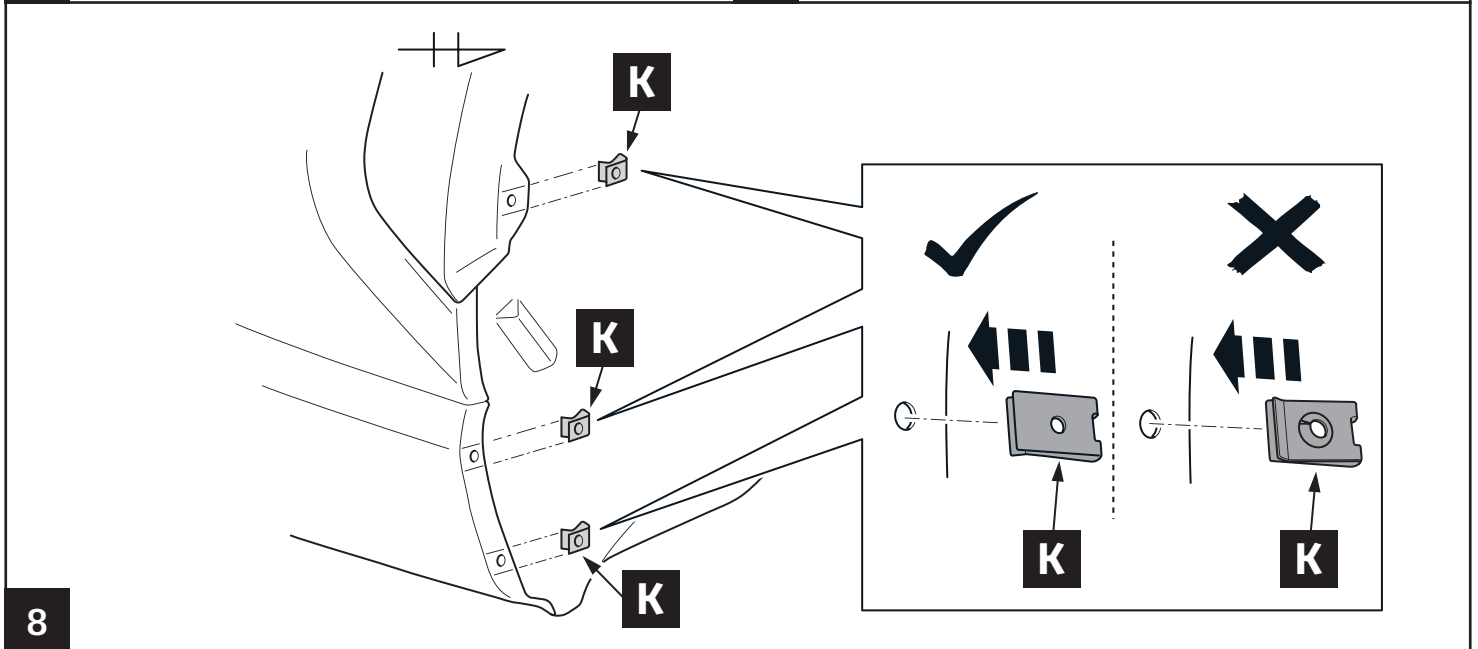
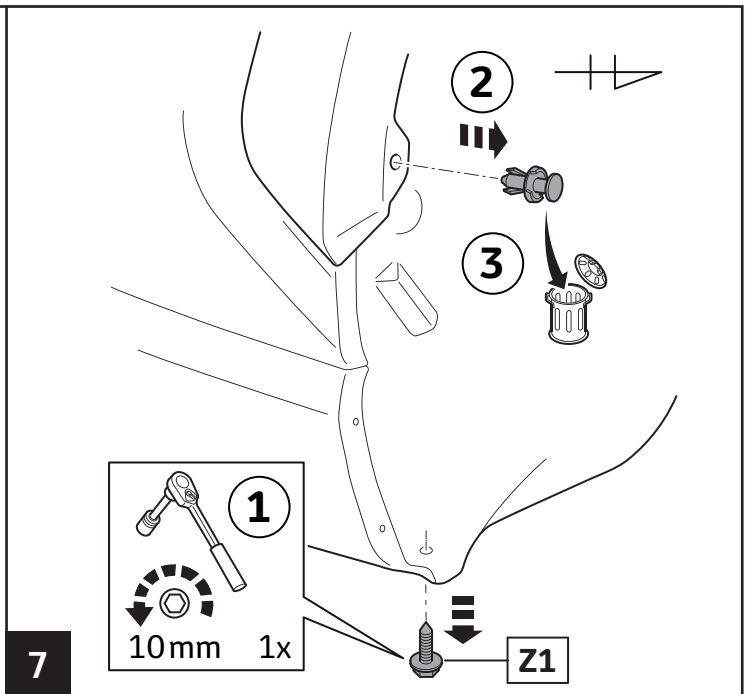
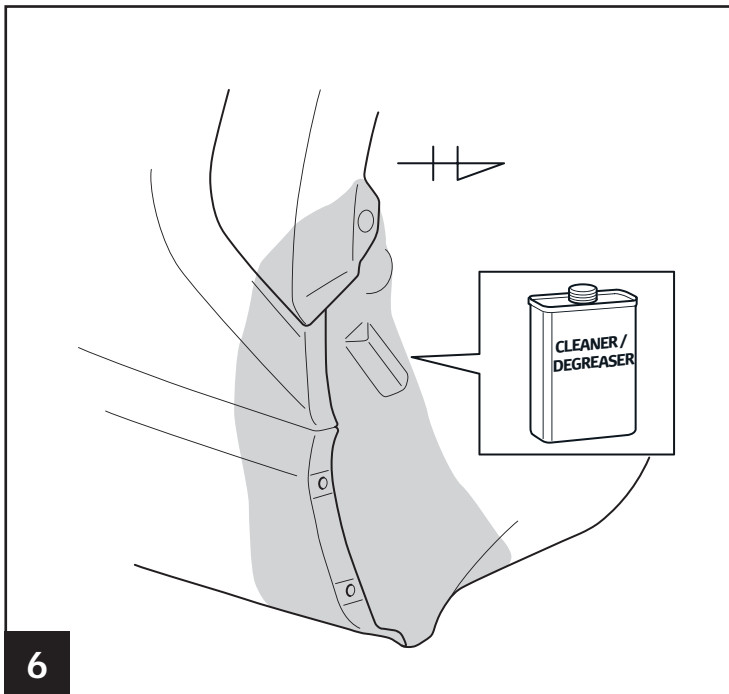


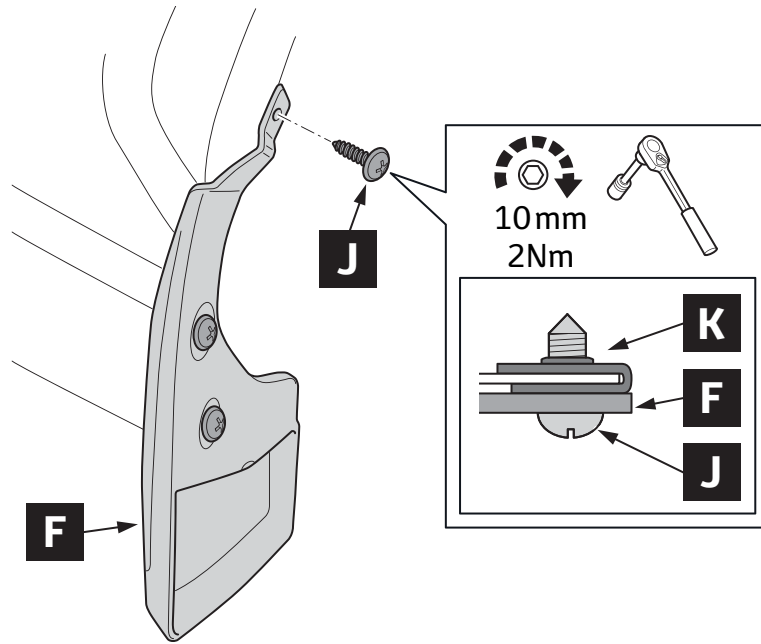
K 6x



<p>INFO</p>	<p>FRONT SET 1 → 4</p>
	<p>REAR SET 5 → 11</p>







11

INFO



LHS = RHS

CHECK SHEET Page 1 of 1

RAV4 as from 2018/11



TOYOTA

Model / Year

RAV4 Plug-In Hybrid
as from 2020/06



Front & rear set
mudlaps

VIN n°

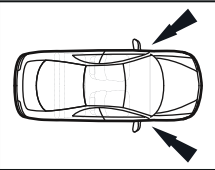
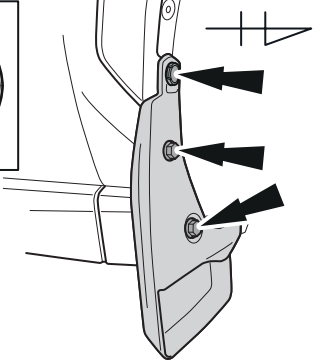
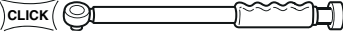
□ □ □ □ □ □ □ □ □ □ □ □ □ □ □ □ □ □

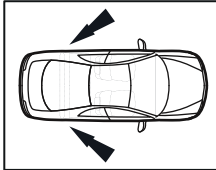
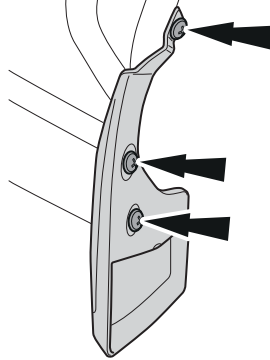
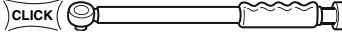
ALWAYS A
BETTER WAY

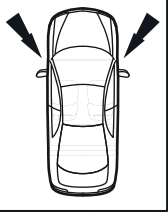
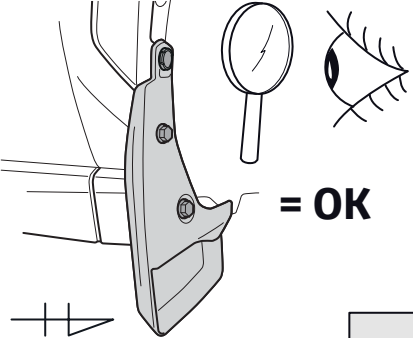
DURING INSTALLATION

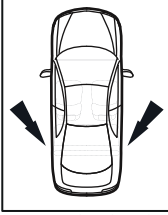
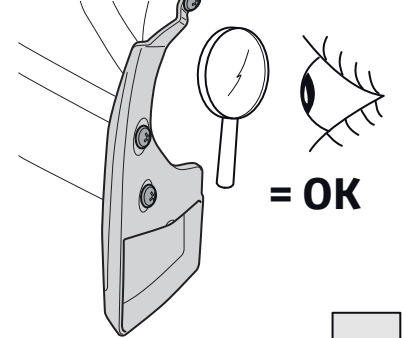
1  P/N = OK 

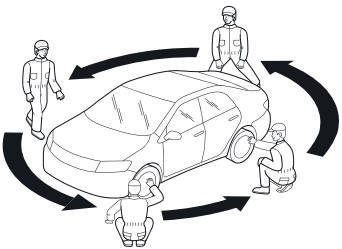

AFTER INSTALLATION

 
2 Nm
 **Serial Number**

 
2 Nm
 **Serial Number**

  = OK

  = OK


 = OK

Installation Date:

. . / . . /

Technician Name & Signature:

Stamp: