



TOYOTA

ALWAYS A
BETTER WAY

Rav4

Front & rear set mudflaps

Installation Instructions

Model year: 2012/12

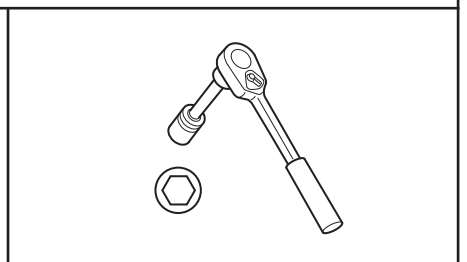
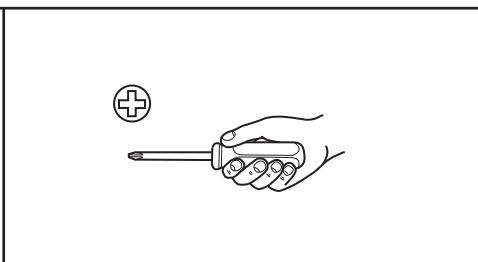
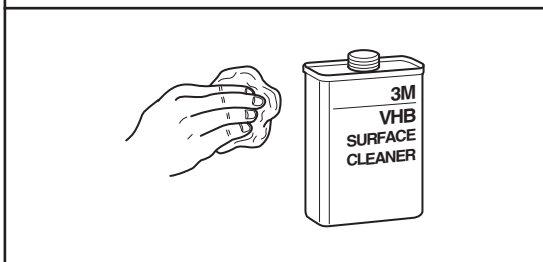
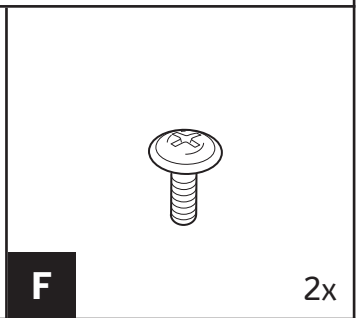
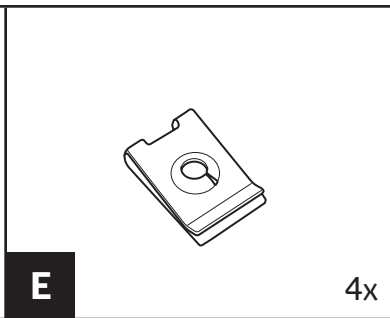
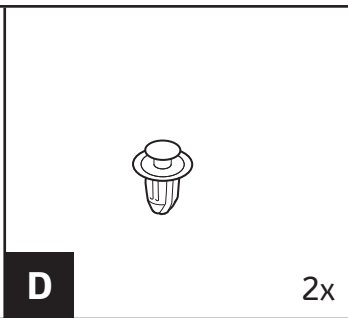
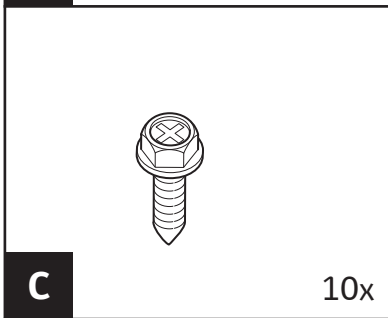
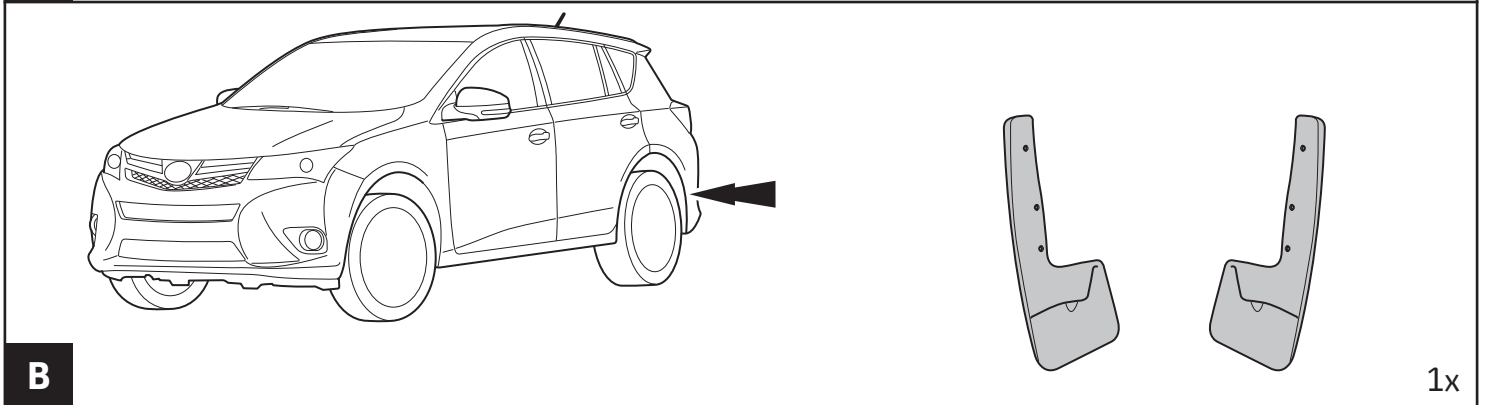
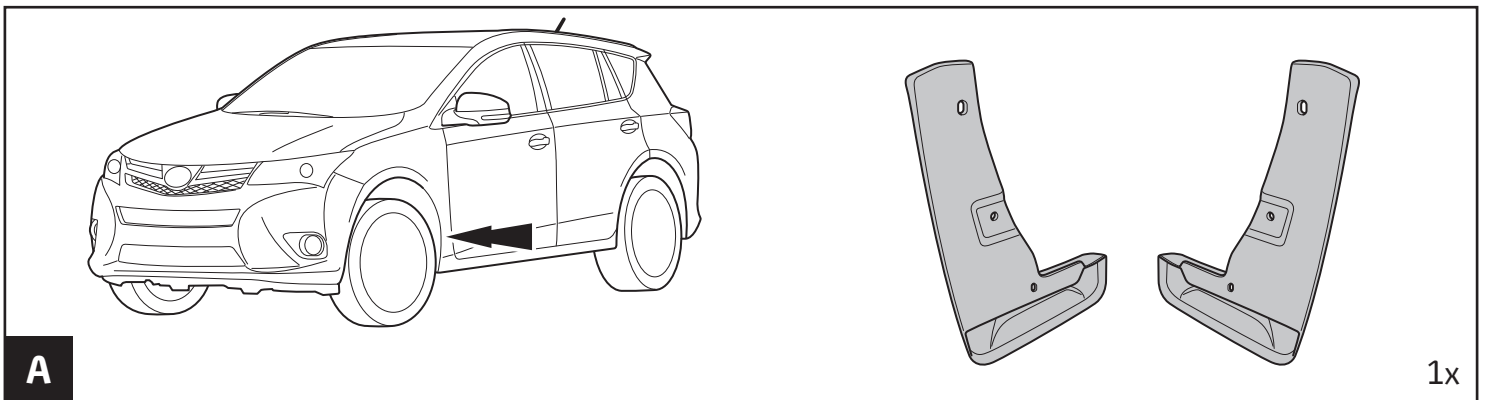
Vehicle code: **A4**-AN***W

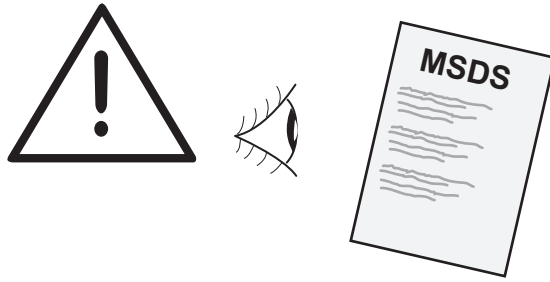
Part number: PU060-4213E-P1 (Rear & front set)
PU060-4213E-F1 (Front set)
PU060-4213E-R1 (Rear set)

Manual reference number: AIM 003 216-0

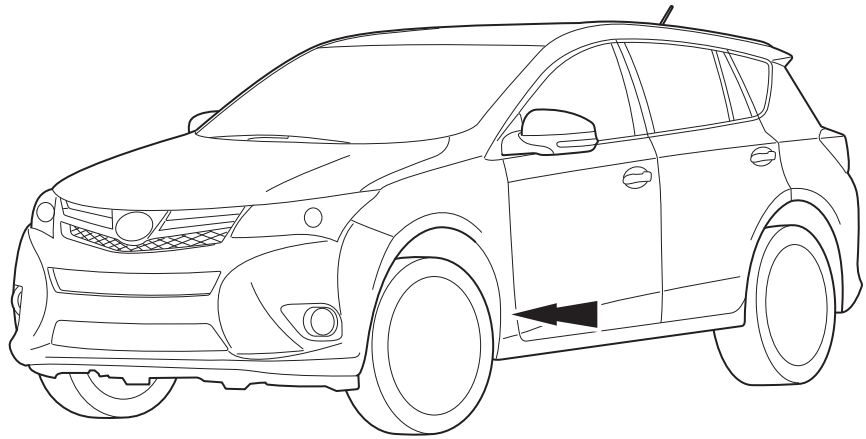
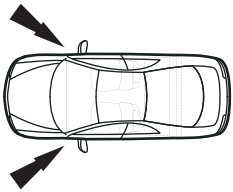
Revision record

Rev. No.	Date	Page	Picture	Update	New	Deleted steps



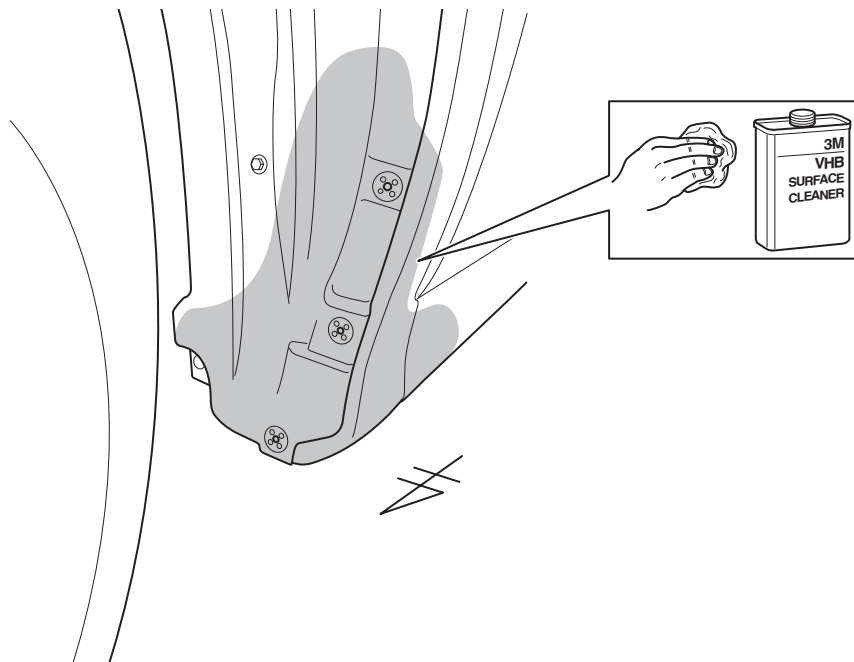


1

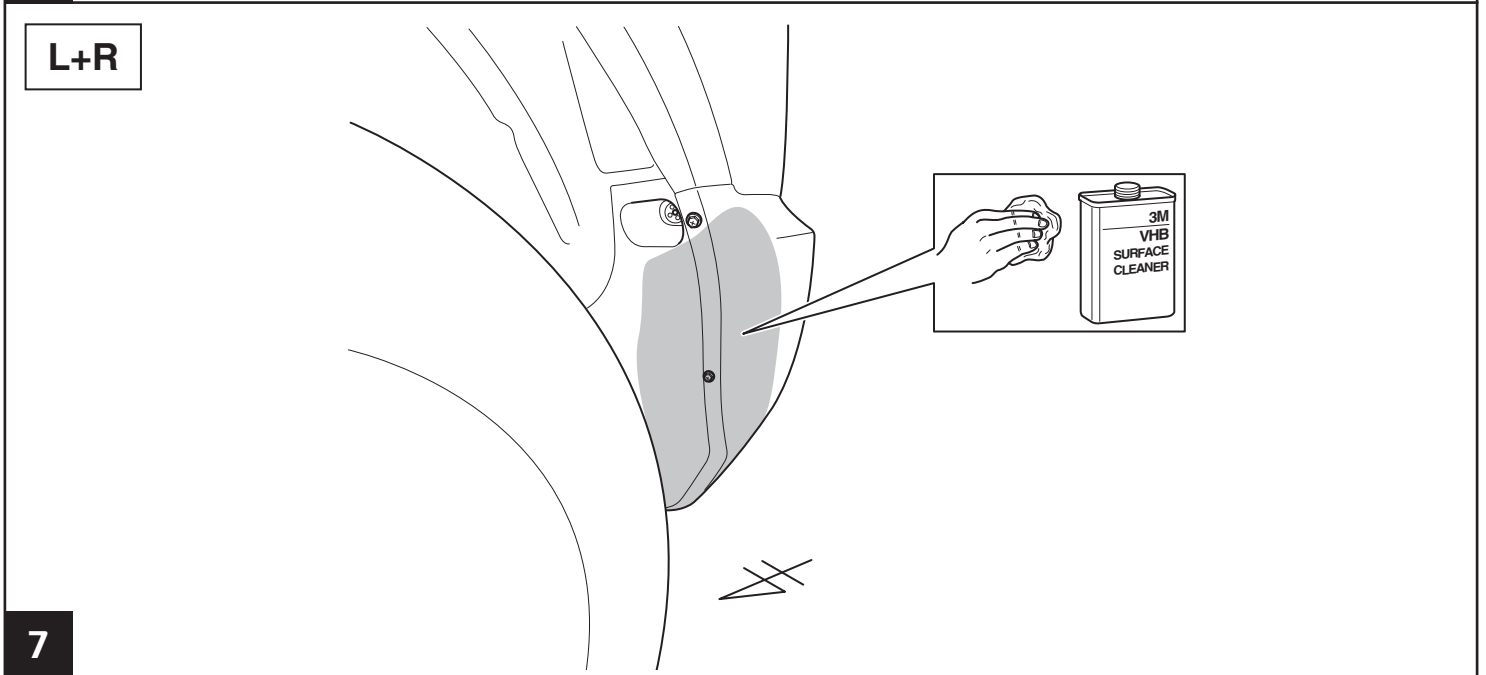
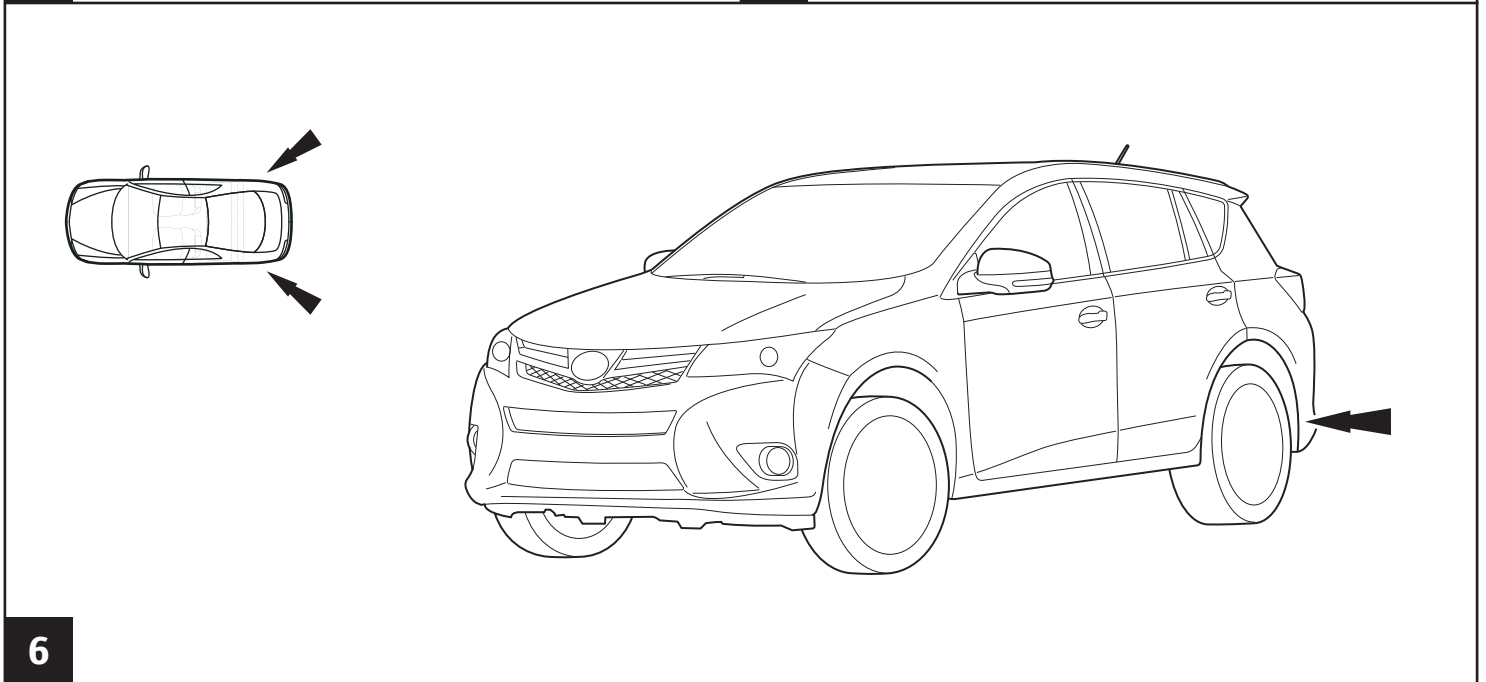
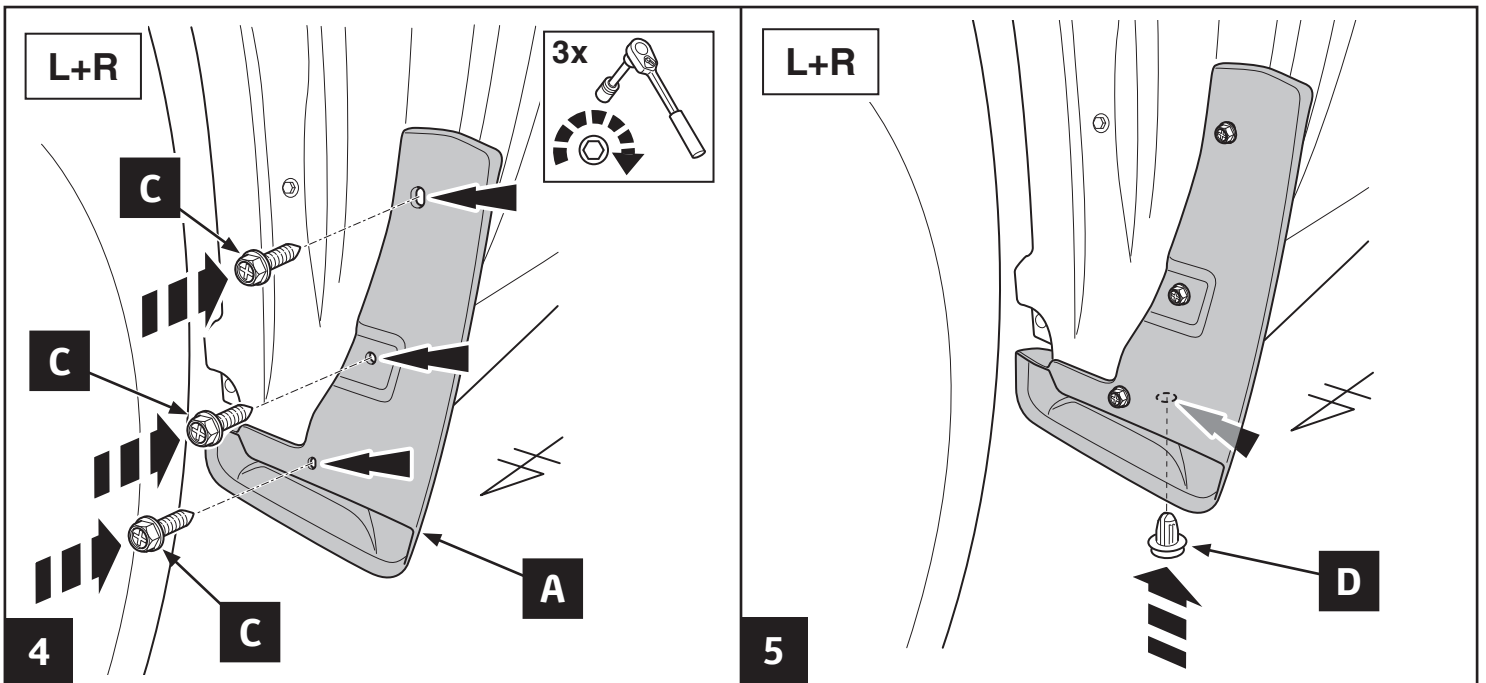


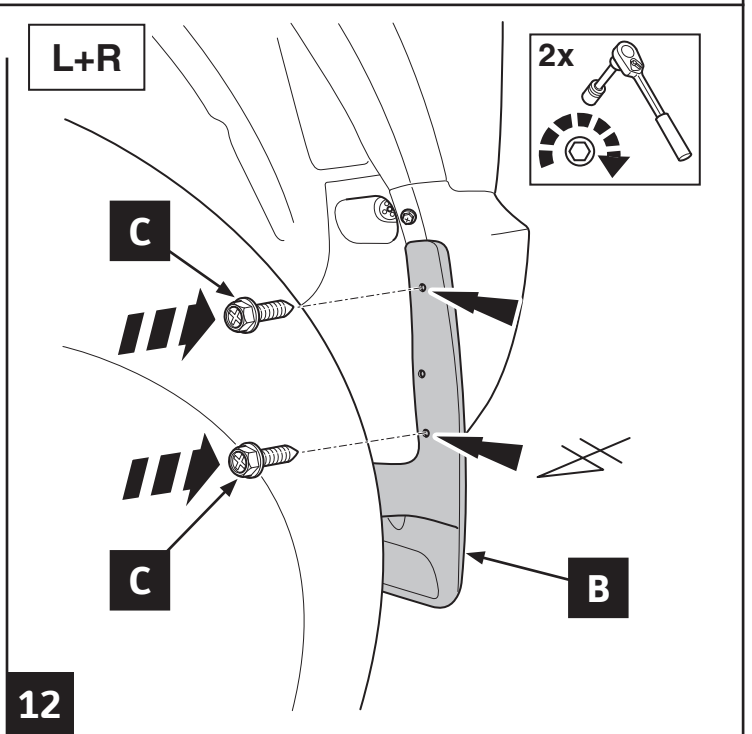
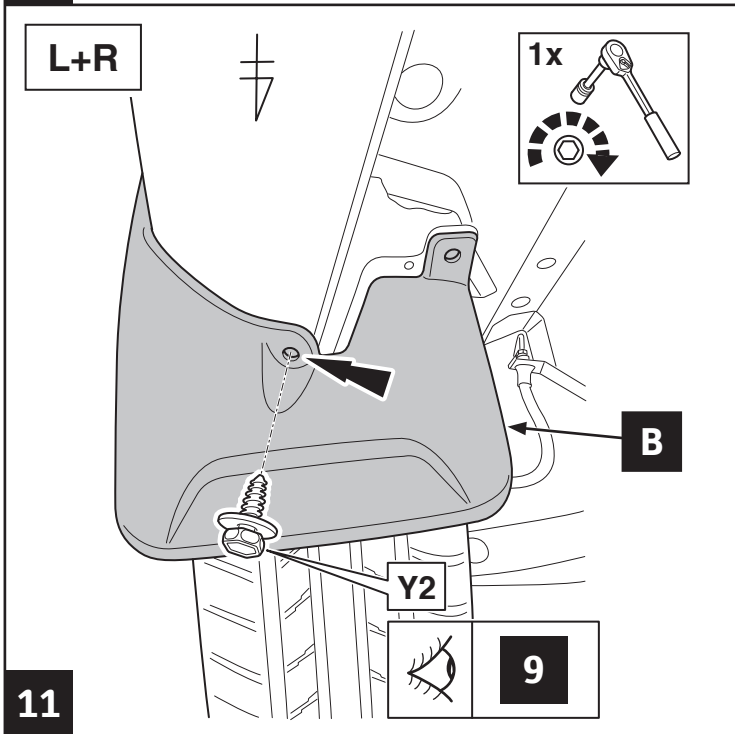
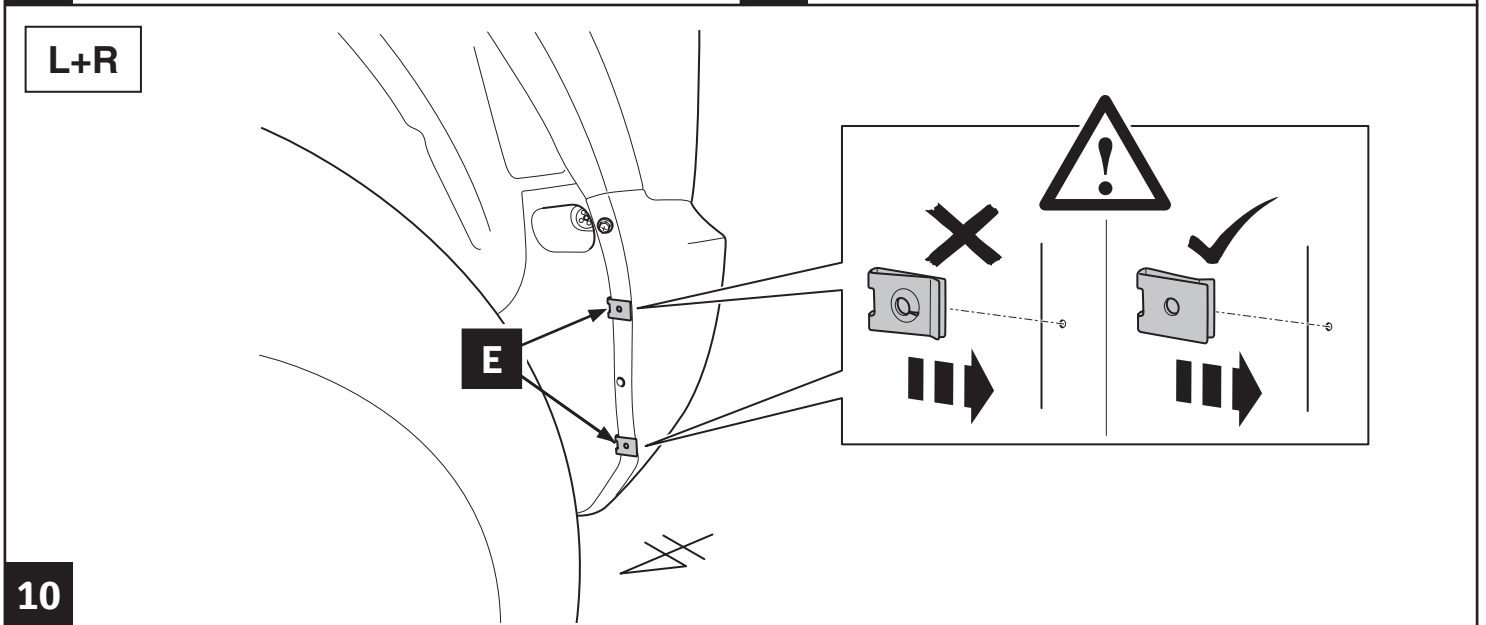
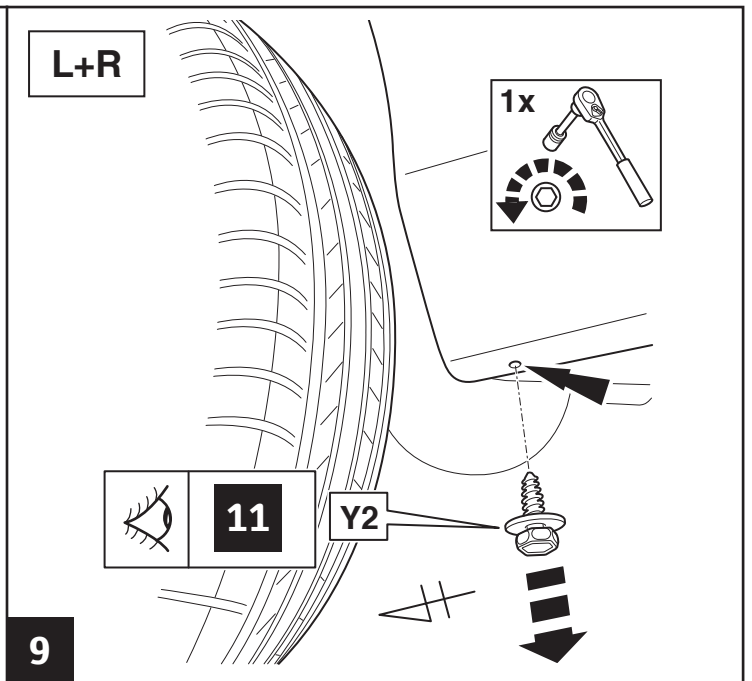
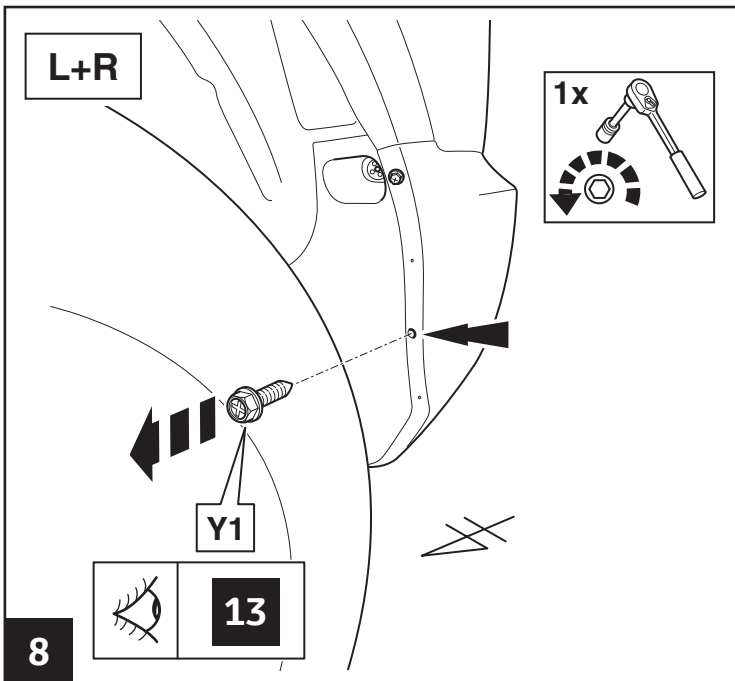
2

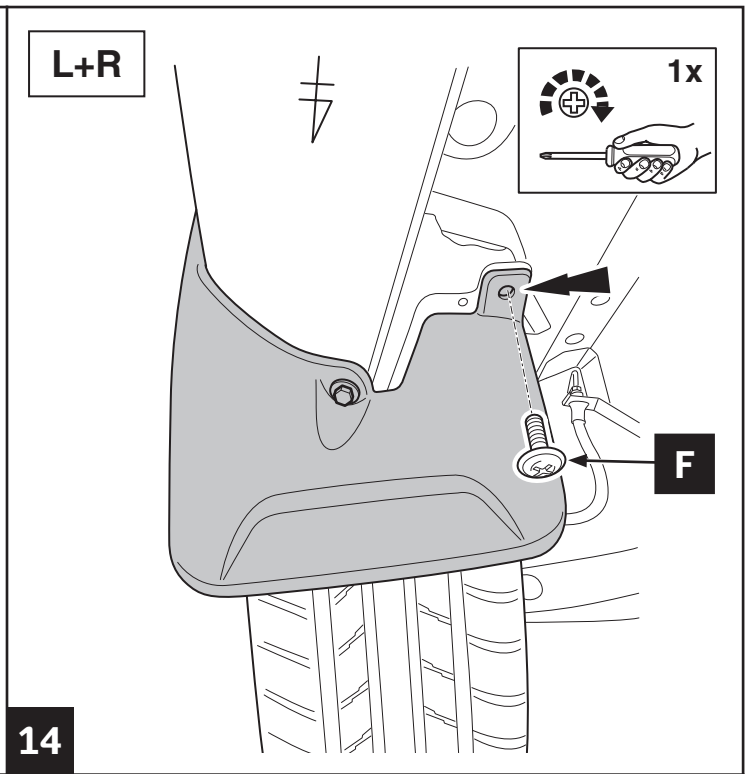
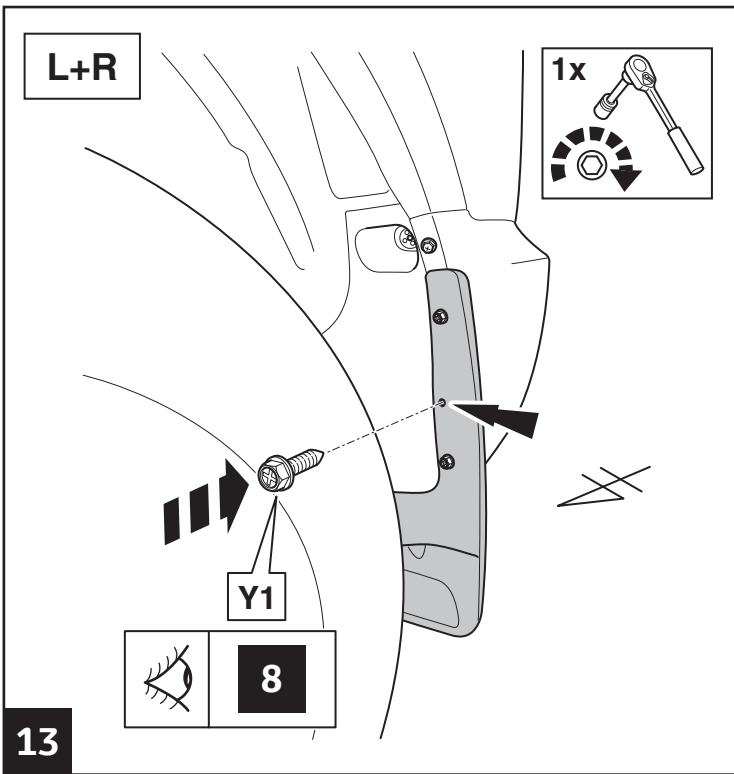
L+R



3







CHECK SHEET



TOYOTA

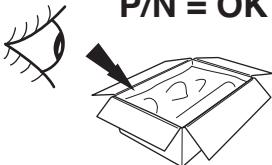
Model / Year **RAV4 2012/12**

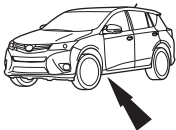
**Front & Rear
Set Mudflaps**

VIN n°

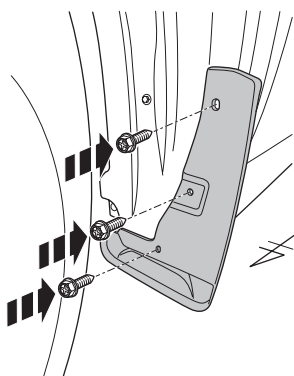
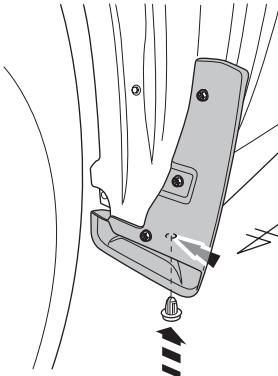
ALWAYS A
BETTER WAY

P/N = OK



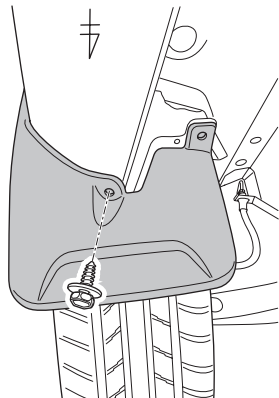
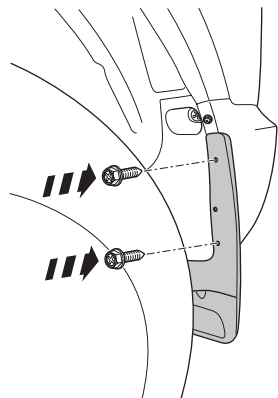



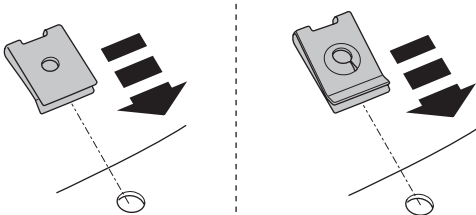
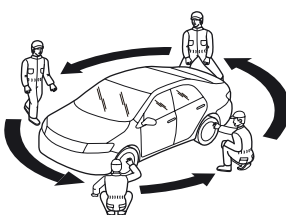
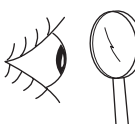
LH = RH



LH = RH

= OK

Installation Date:

. . . / . . . /

Technician Name & Signature:

Stamp: