

# PROACE CITY PROACE CITY Verso PROACE CITY Electric PROACE CITY Verso Electric

Rear Set Mudflap

Installation Instructions



**TOYOTA**

ALWAYS A  
BETTER WAY

Model year: As from 2019/12 (PROACE CITY)  
As from 2019/12 (PROACE CITY Verso)  
As from 2021/06 (PROACE CITY Electric)  
As from 2021/08 (PROACE CITY Verso Electric)

Vehicle code: Van : BPZ\*\*\*\*-LN\*\*\*W  
Passenger : BKY\*\*1\*-L\*\*\*\*W

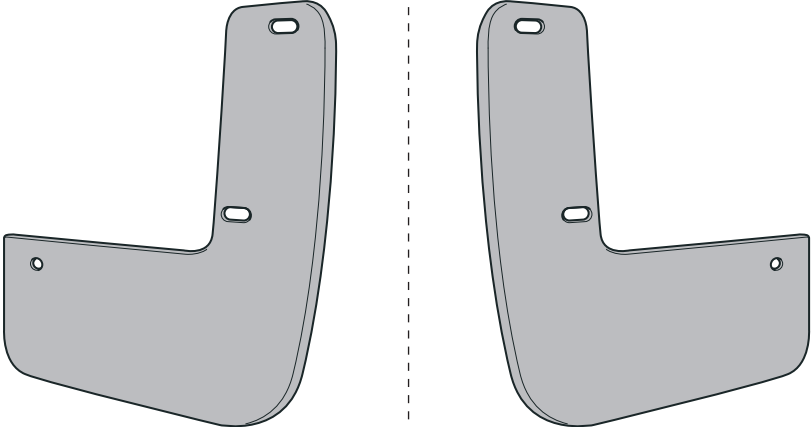
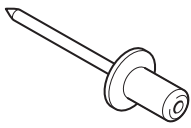
Part number: PZ4L0-H0965-00

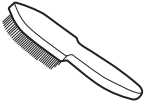

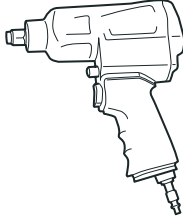
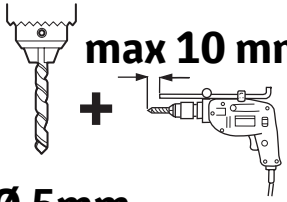


Manual reference number: AIM 004 989-1

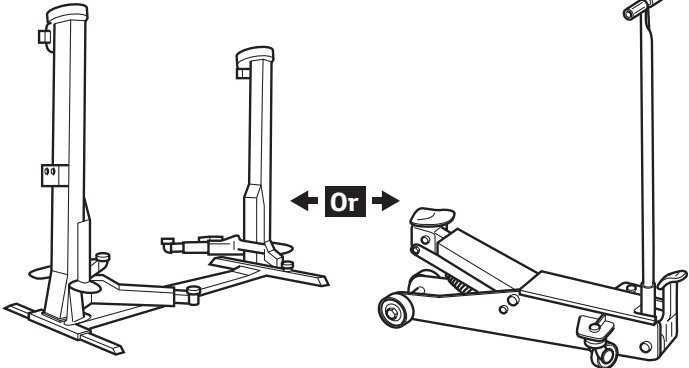



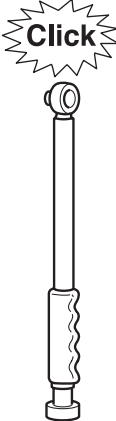

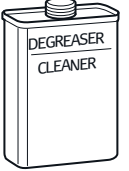
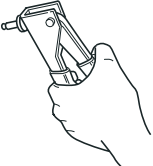

# Revision record

Rev. No.	Date	Page	Step	Remarks
△ <sub>1</sub>	23.04.2021	1		Models added

## PZ4L0-H0965-00

<p><b>A</b></p>  <p style="text-align: center;"><b>LHS</b>      1x      <b>RHS</b>      x1</p>	<p><b>B</b></p>  <p style="text-align: right;">x8</p>
--	---

			 <p><b>max 10 mm</b> + <b>Ø 5mm</b></p>
			

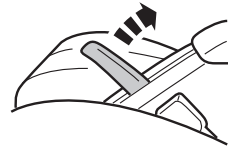
 <p style="text-align: center;">← Or →</p>	<p><b>21 mm</b></p>   	<p><b>Click</b></p> 	  <p><b>AIM 003 516-*</b></p>
			 

# Material Safety Data Sheet



# Technical Data Sheet

1

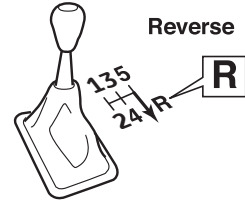


Parking

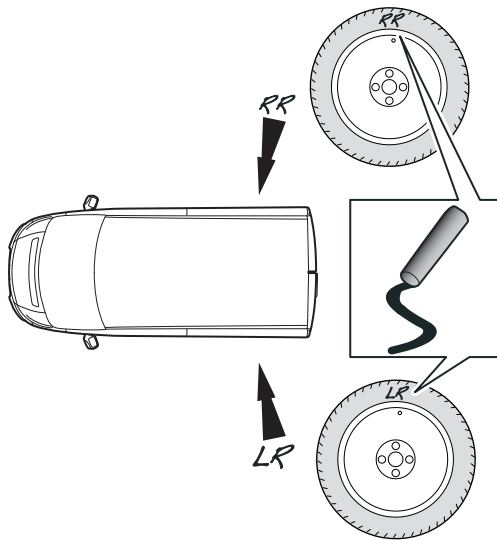
P



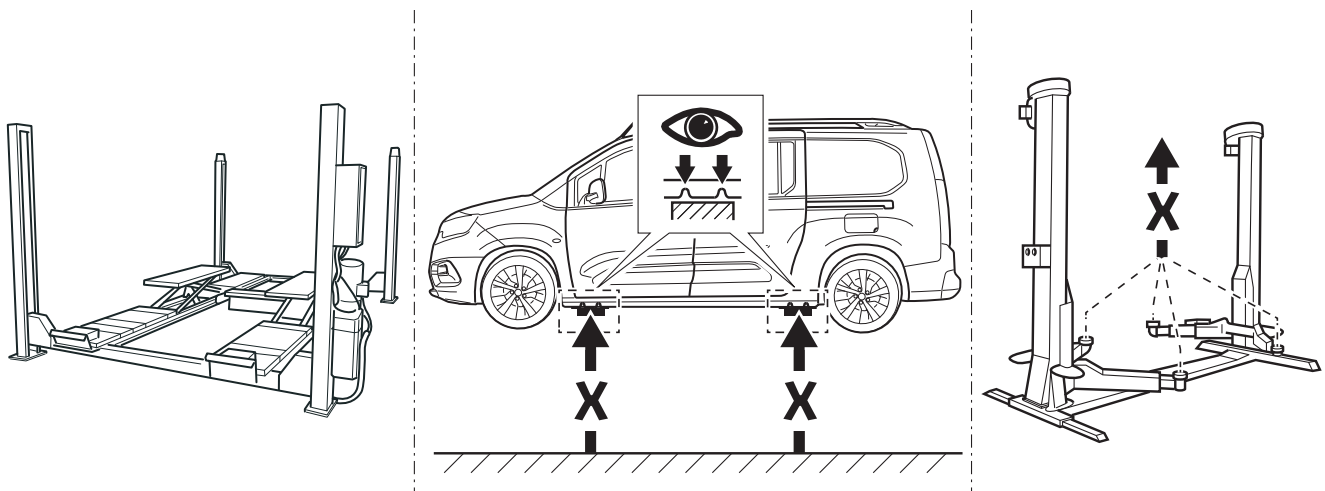
Reverse



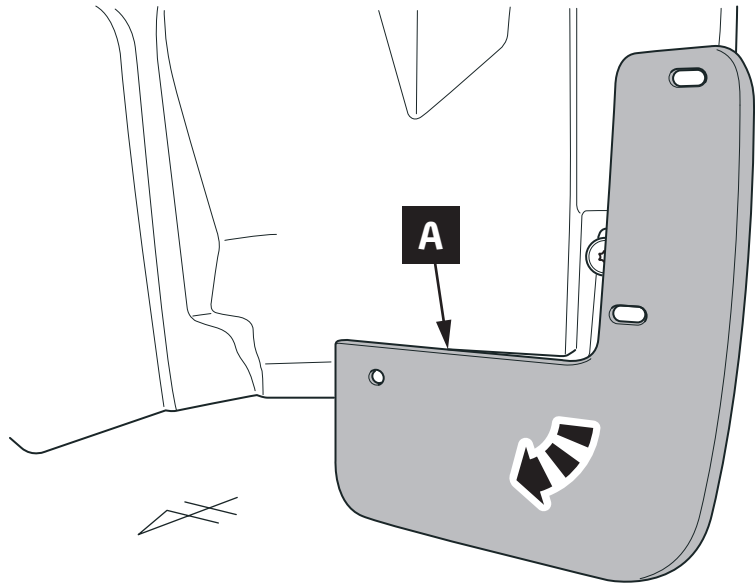
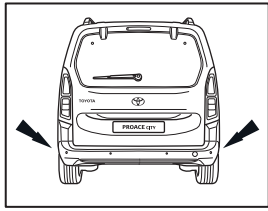
2



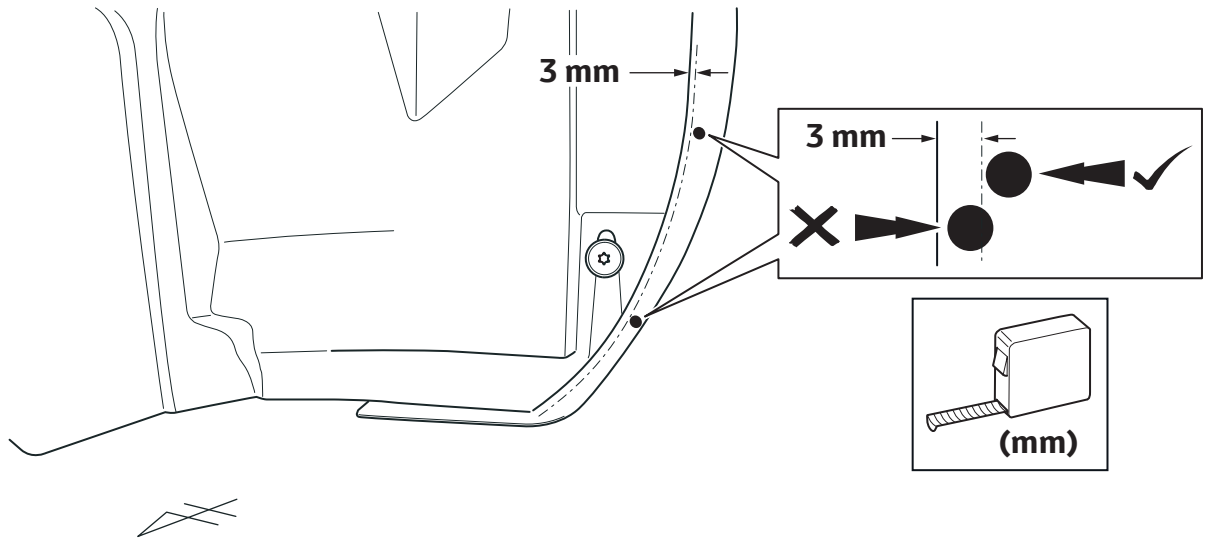
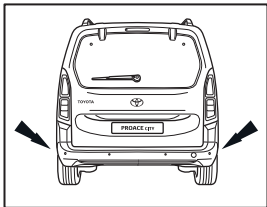
3



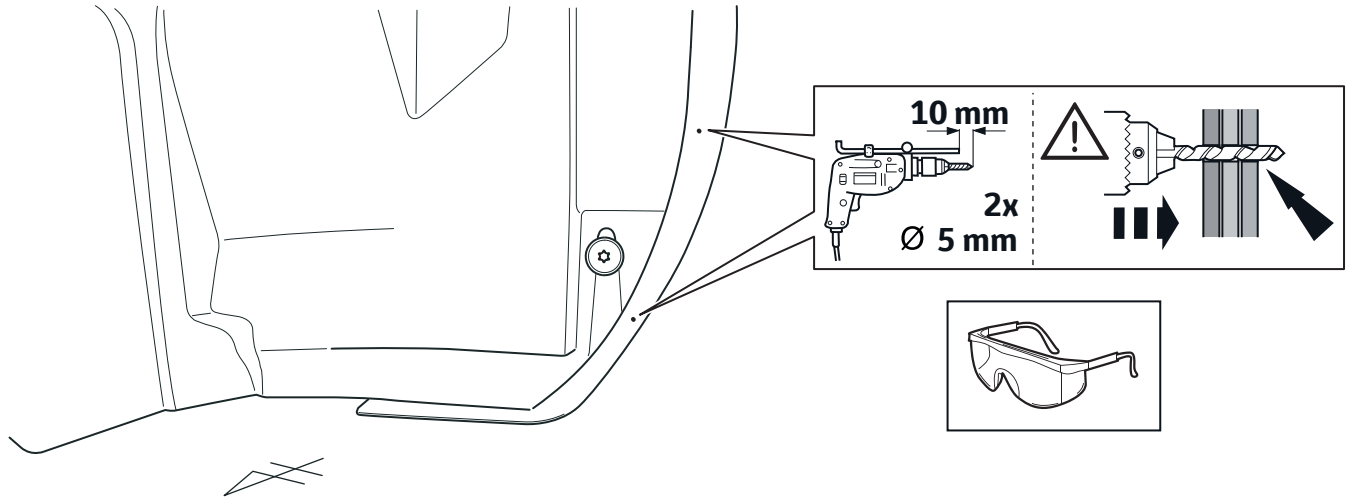
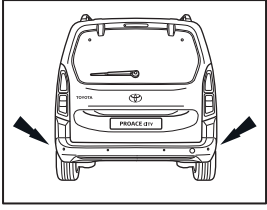




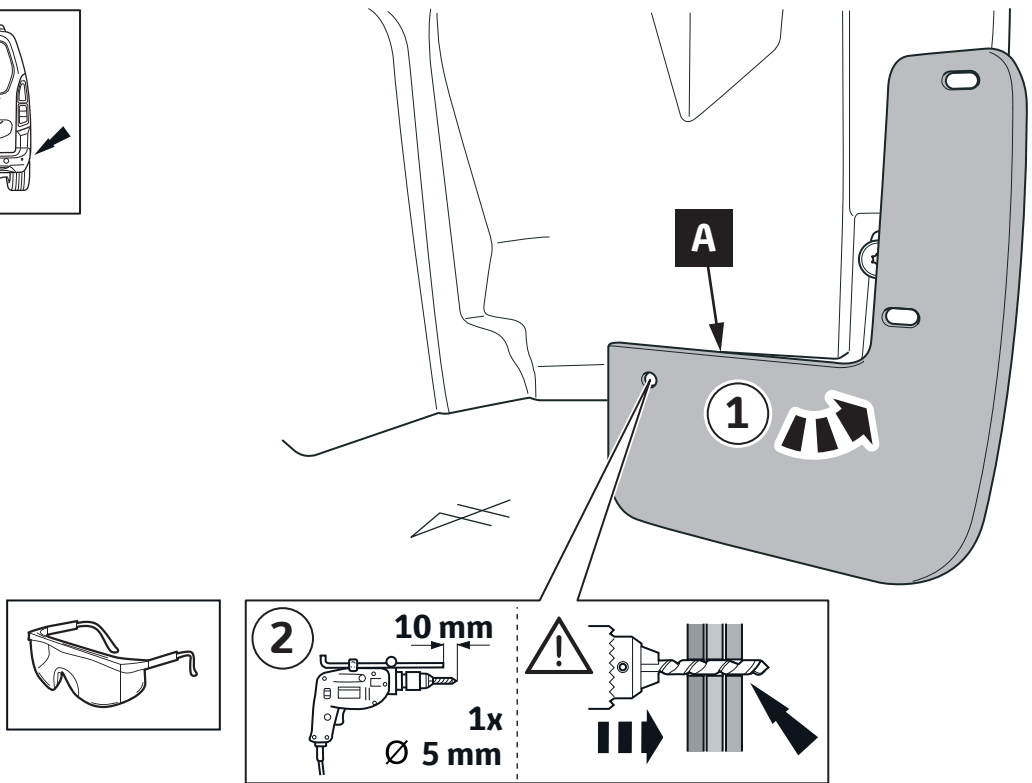
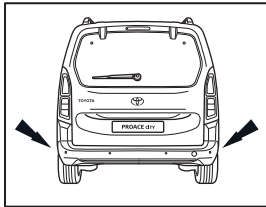
7



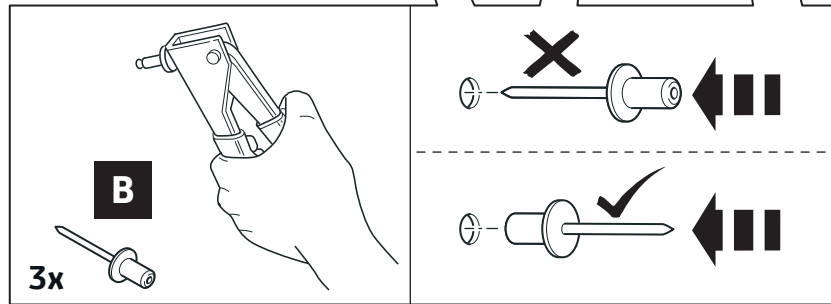
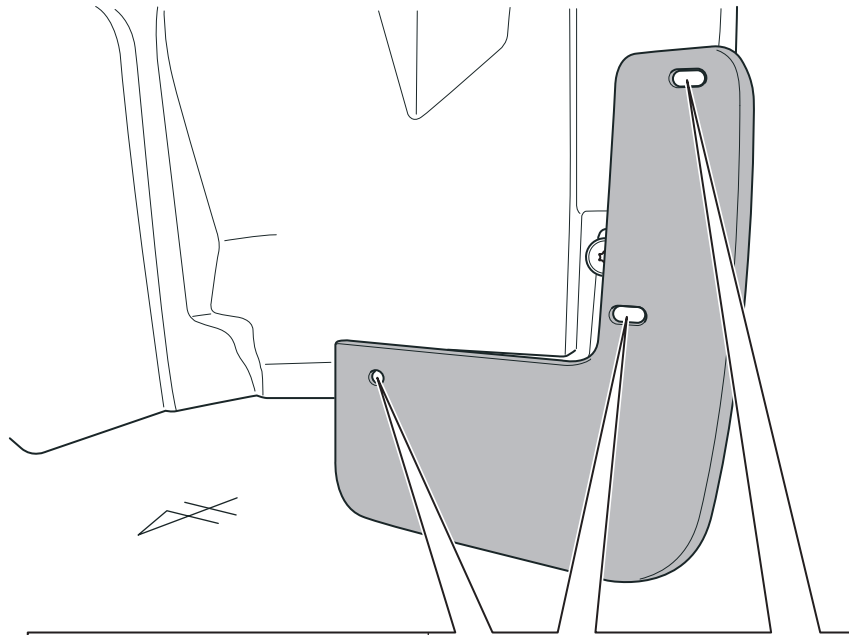
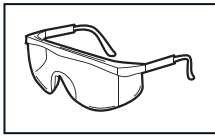
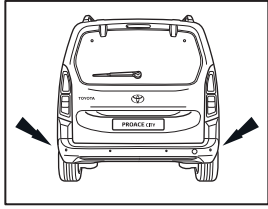
8



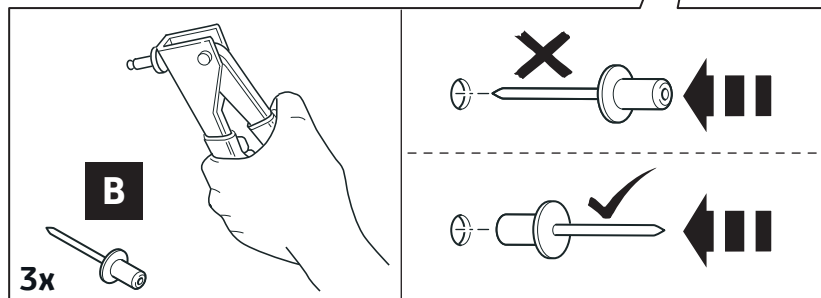
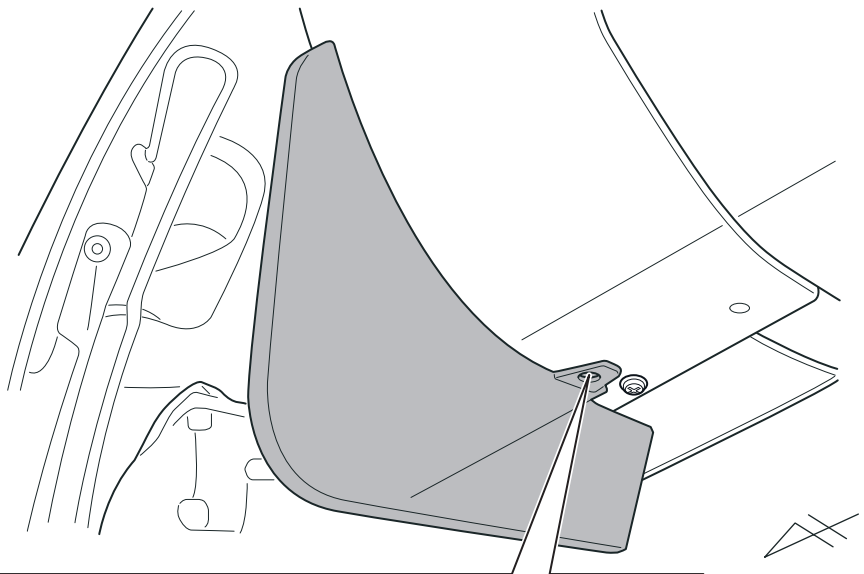
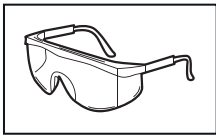
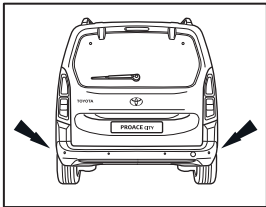
9



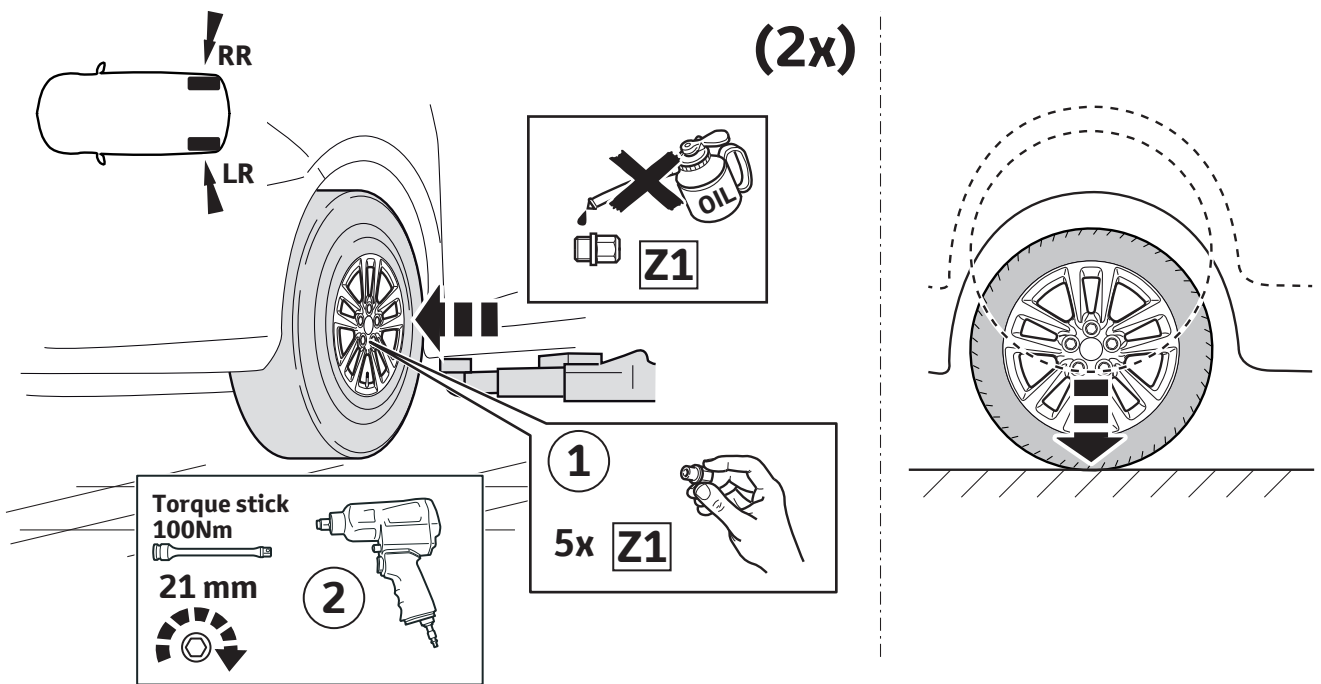
10



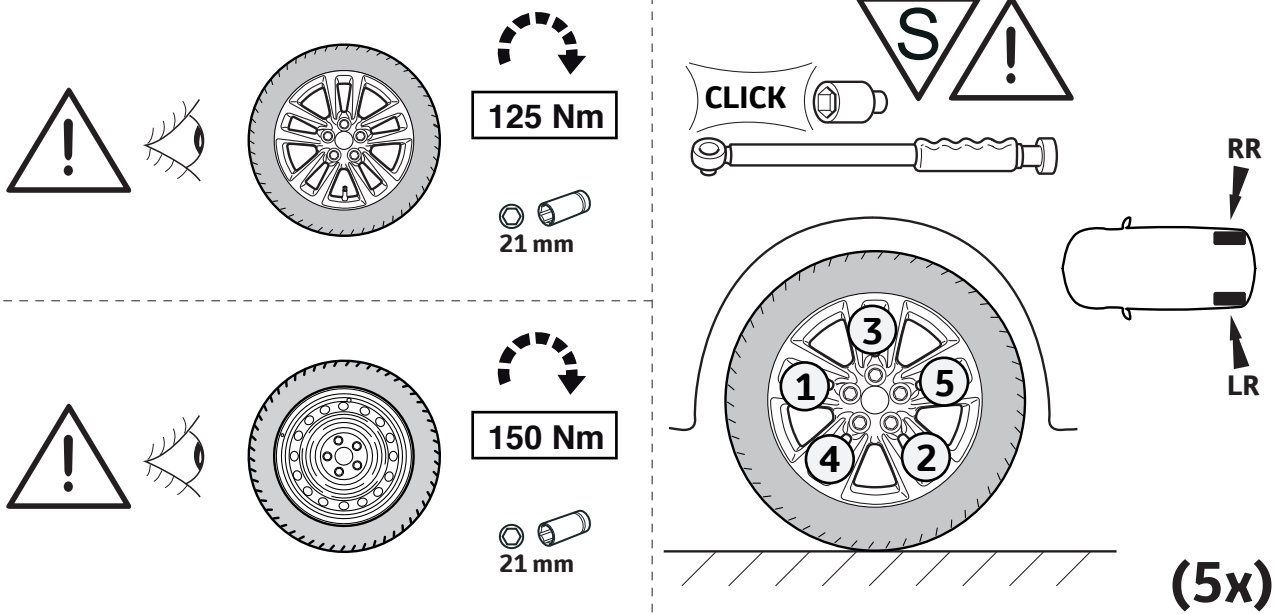
11



12



13



14





TOYOTA

# CHECK SHEET

Page 1 of 1

PROACE CITY As from 2019/12  
PROACE CITY Verso As from 2019/12  
PROACE CITY Electric As from 2021/06  
PROACE CITY Verso Electric As from 2021/08

Model/Year

Rear Set Mudflap

VIN n°

ALWAYS A BETTER WAY

## DURING INSTALLATION

**1**

P/N = OK

=A      =B

**2**

LR = LR = OK

A  B

**3**

RR = RR = OK

A  B

**4**

Serial Number

125 Nm

A  B

150 Nm

A  B

## AFTER INSTALLATION

**1**

= OK

LHS  RHS

Installation Date:

... / ... / .....

Technician Name & Signature:

Stamp:

