



TOYOTA

ALWAYS A
BETTER WAY

Corolla (Sedan)

Front & rear set mudflaps


Installation instructions

Model year: As from 2019/01
Vehicle code: Z*E21**_*-DE****
Part number: PW389-02001

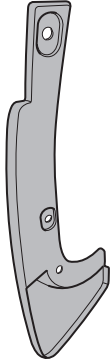
Manual reference number: AIM 005 112 - 0

Revision Record

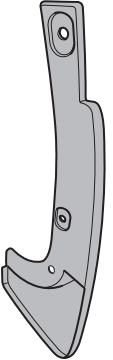
Rev. No.	Date	Page	Picture	Update	New	Deleted steps




A



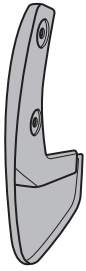
1x



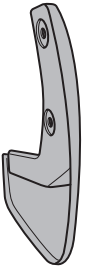
1x



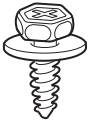
B



1x

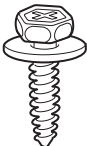


1x




C

8x



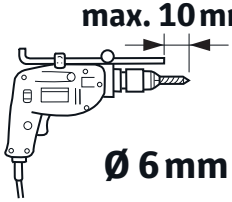
D

6x




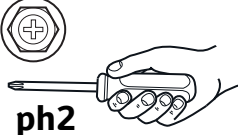
E

6x

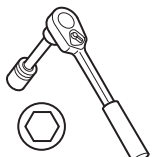


max. 10mm
Ø 6mm





ph2



10mm





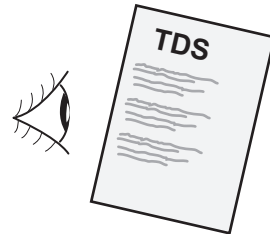
CLEANER /
DEGREASER



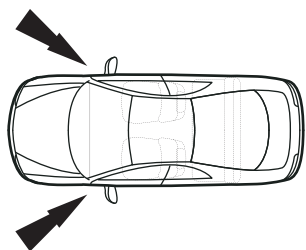
AIM 003 516-*



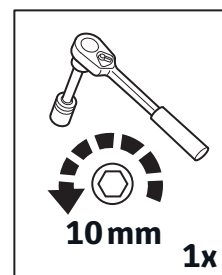
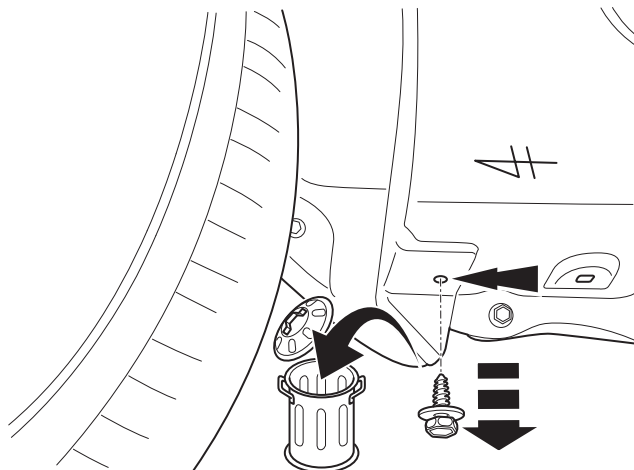
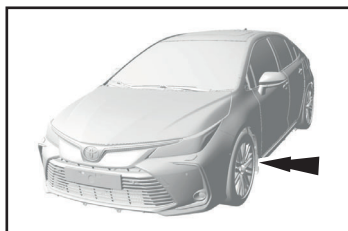
Material Safety Data Sheet



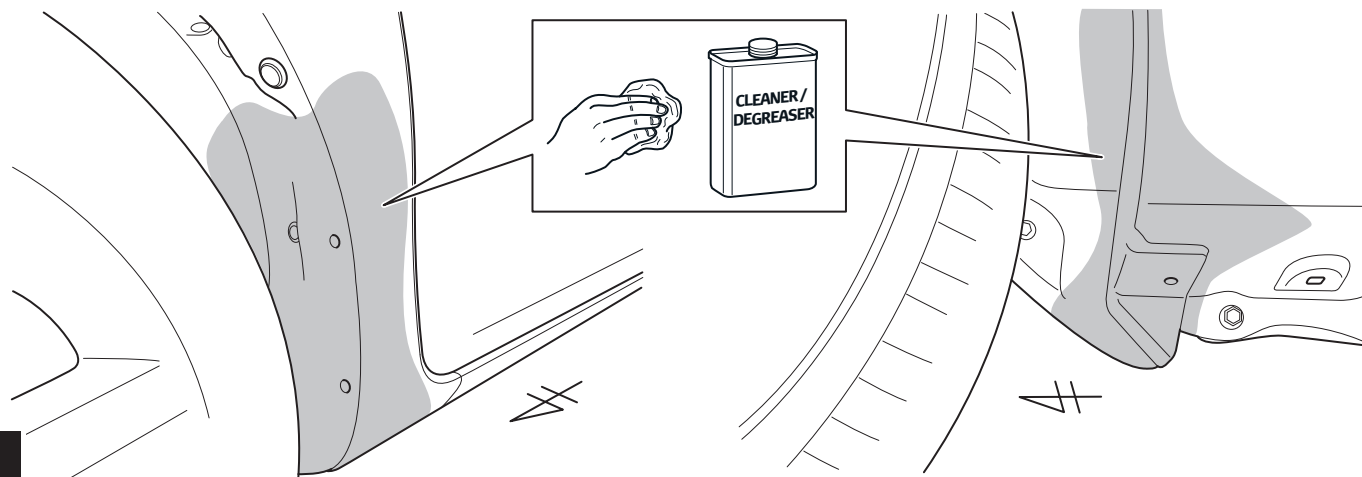
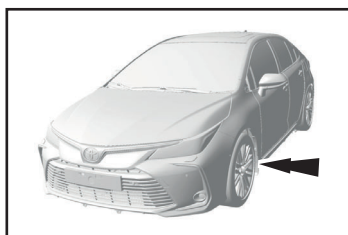
Technical Data Sheet



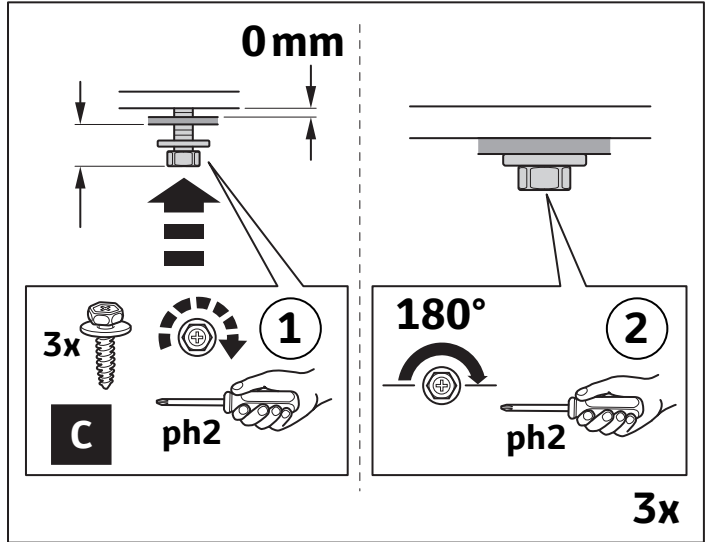
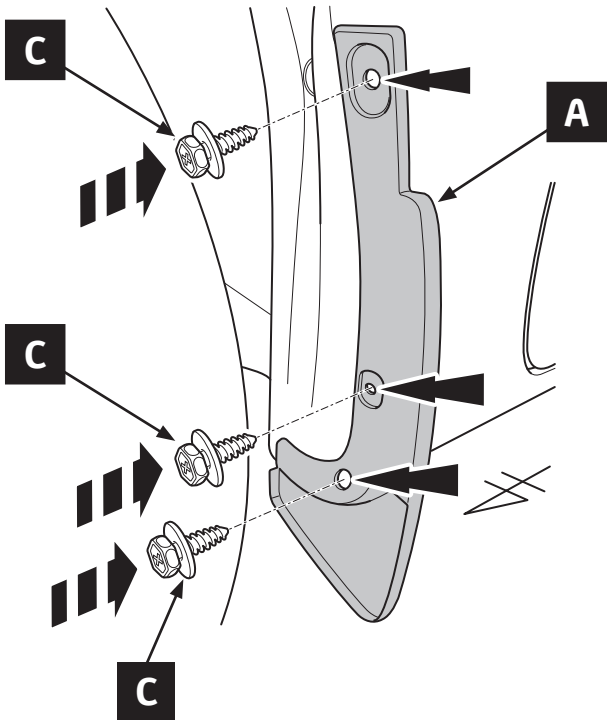
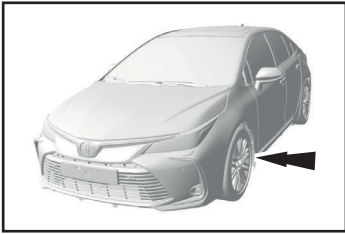
1



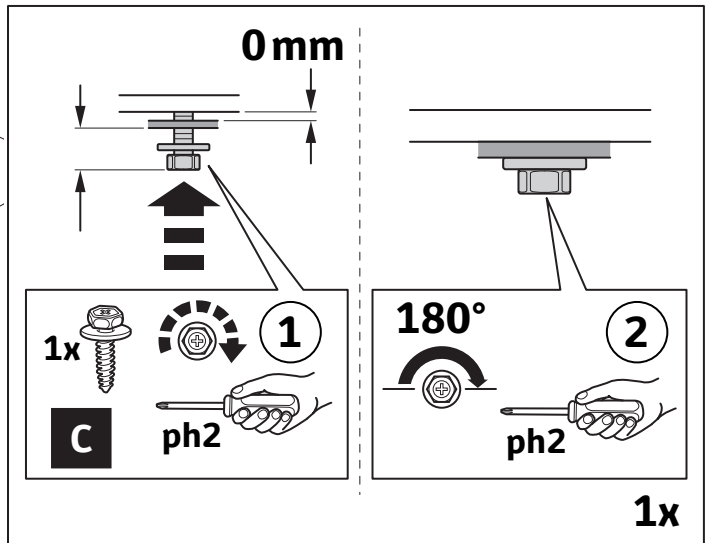
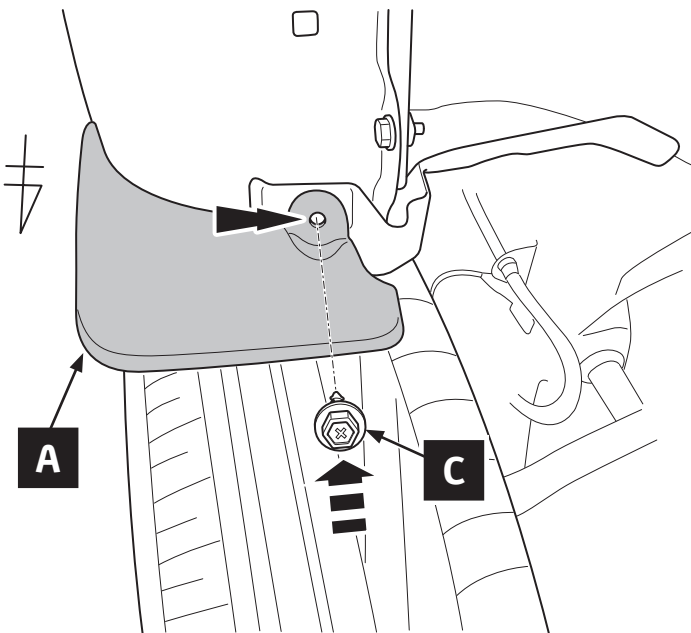
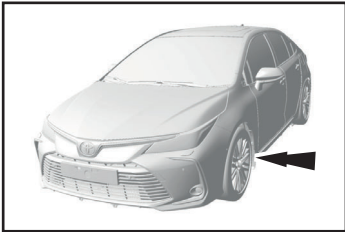
2



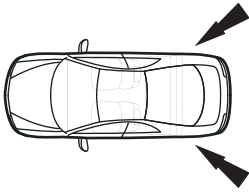
3



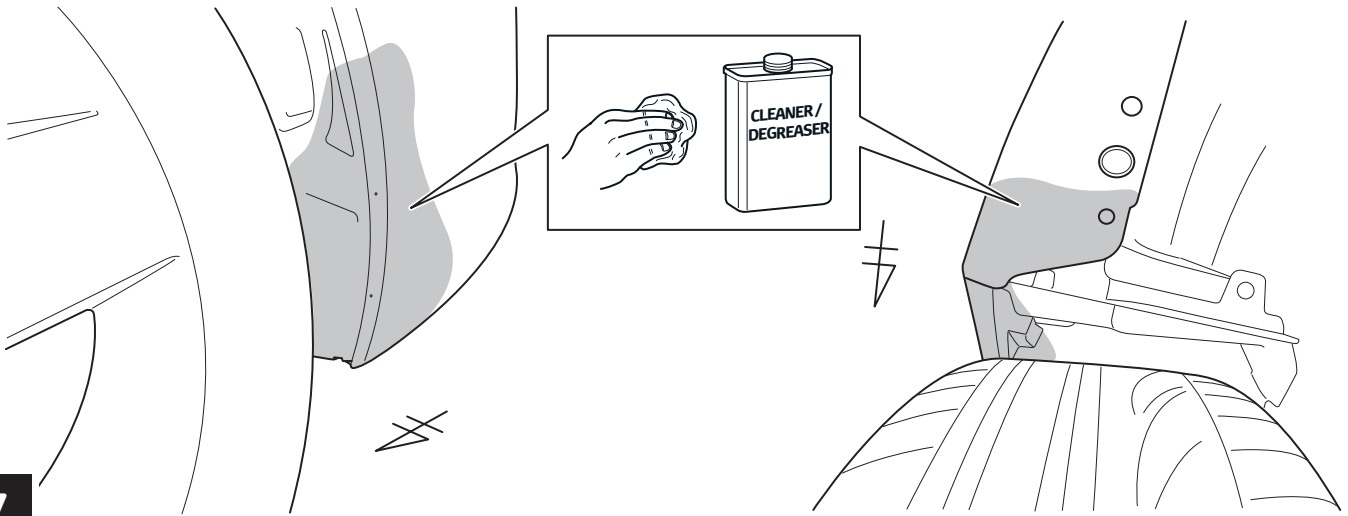
4



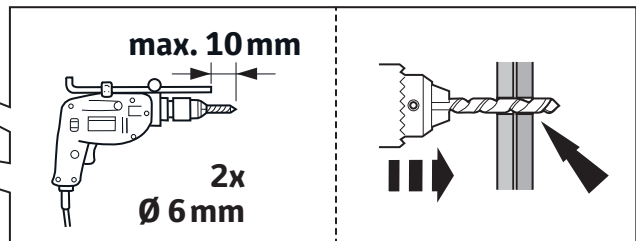
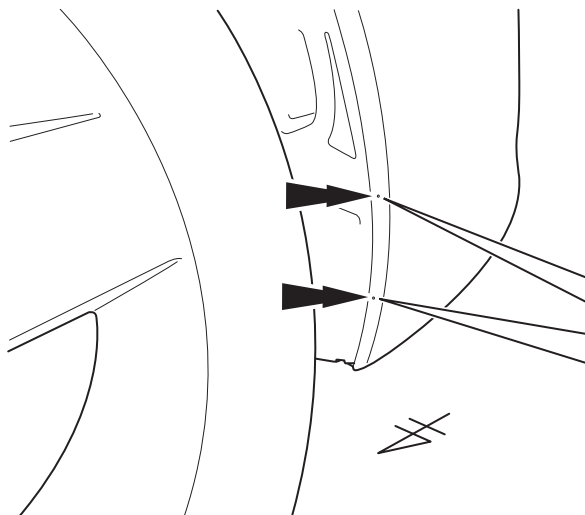
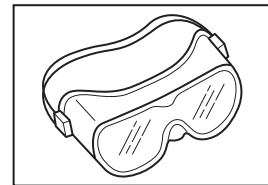
5



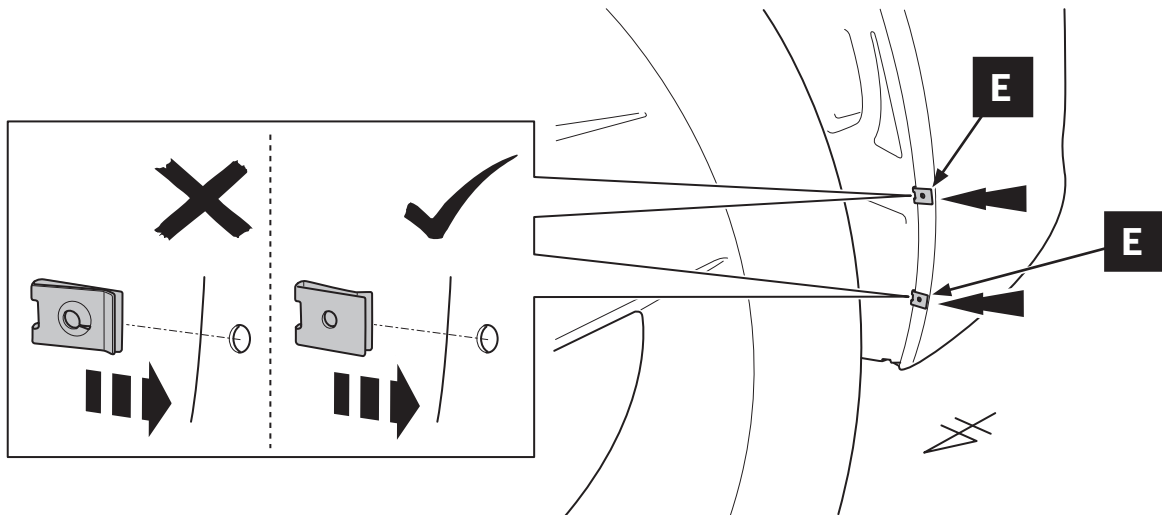
6



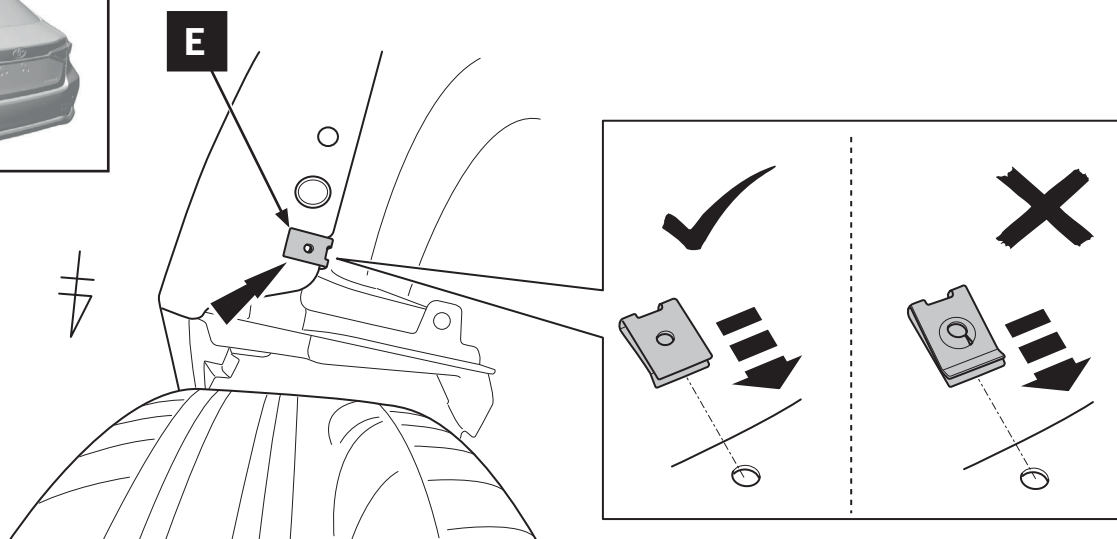
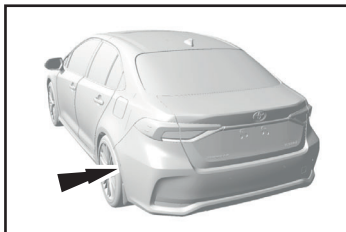
7



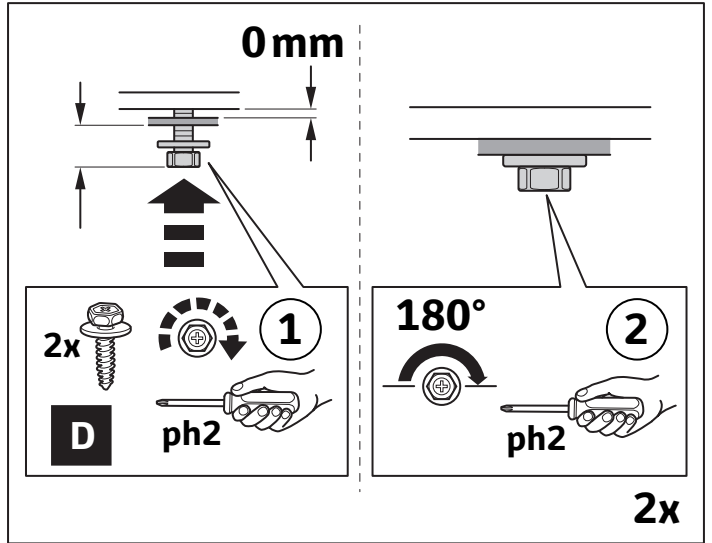
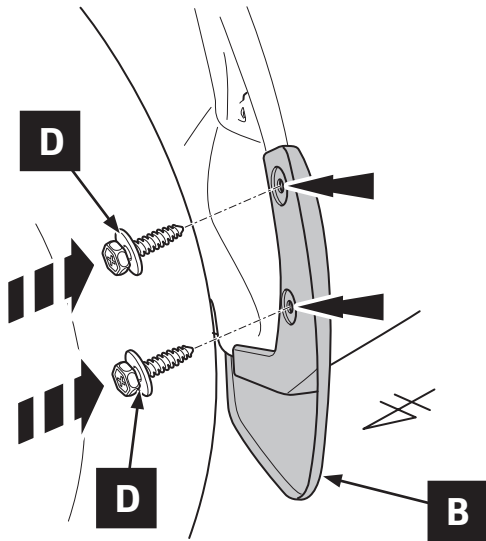
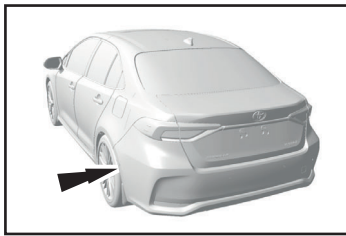
8



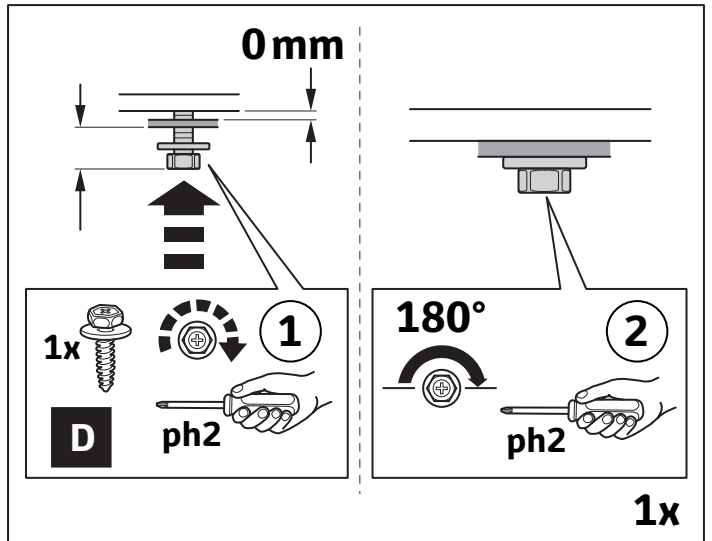
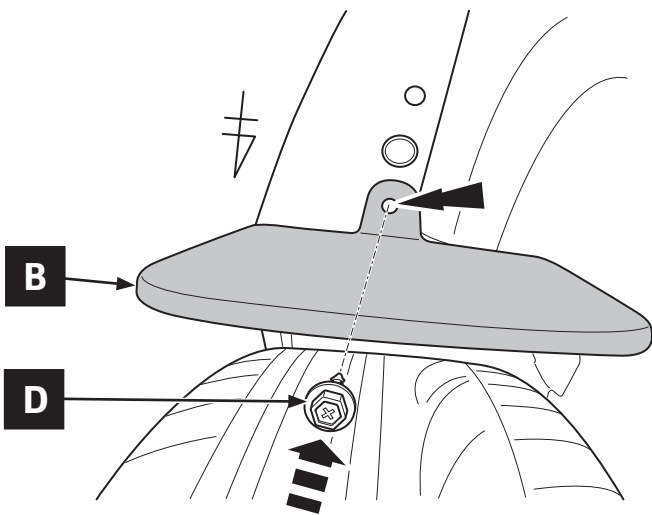
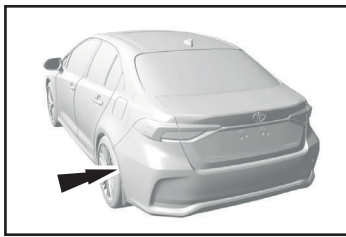
9



10



11



12

INFO



LHS

=



RHS

CHECK SHEET 1 of 1



TOYOTA

Model / Year Corolla (Sedan)
As from 2019/01

**Mud Flaps - Front
& Rear**

ALWAYS A
BETTER WAY

VIN n°

DURING INSTALLATION

1 P/N = OK

2 LHS = RHS

LHS RHS

3 LHS = RHS

LHS RHS

3

AFTER INSTALLATION

1 = OK

Installation Date:
... / ... / ...

Technician Name & Signature:

Stamp: