



TOYOTA

ALWAYS A
BETTER WAY

Corolla

Mudflaps

Installation instructions

Model year: 2013/06, 2016/06

Vehicle code: **E18**-DE***W

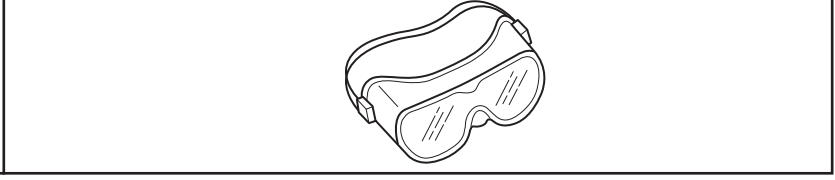
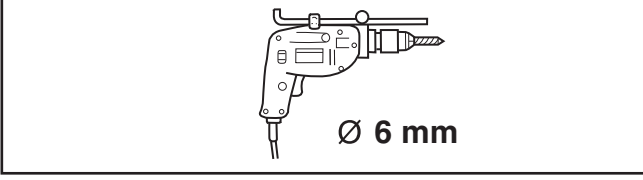
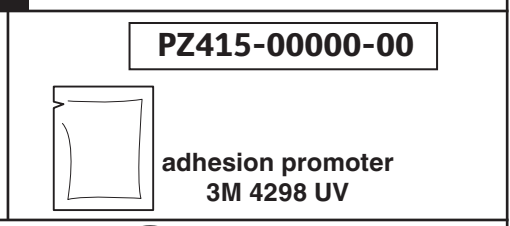
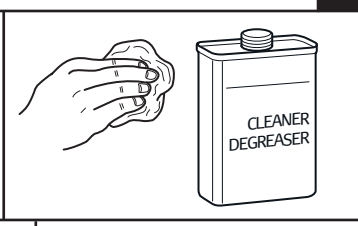
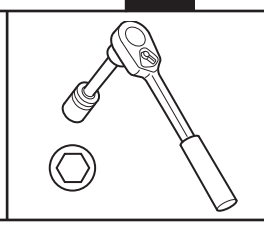
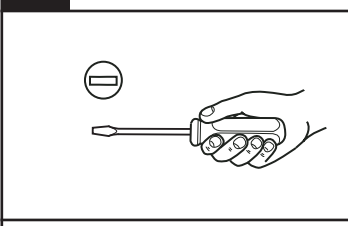
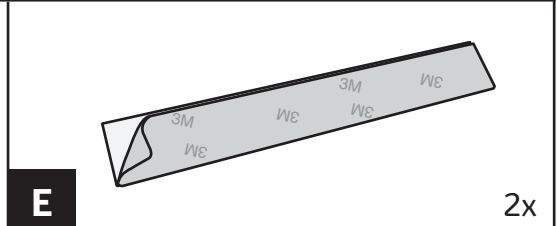
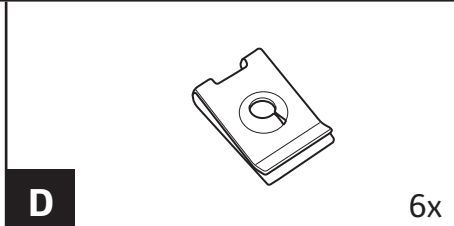
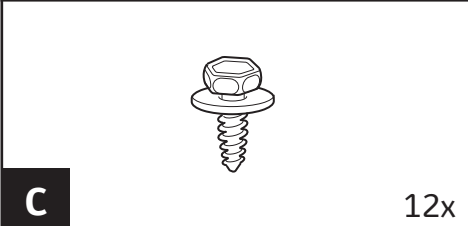
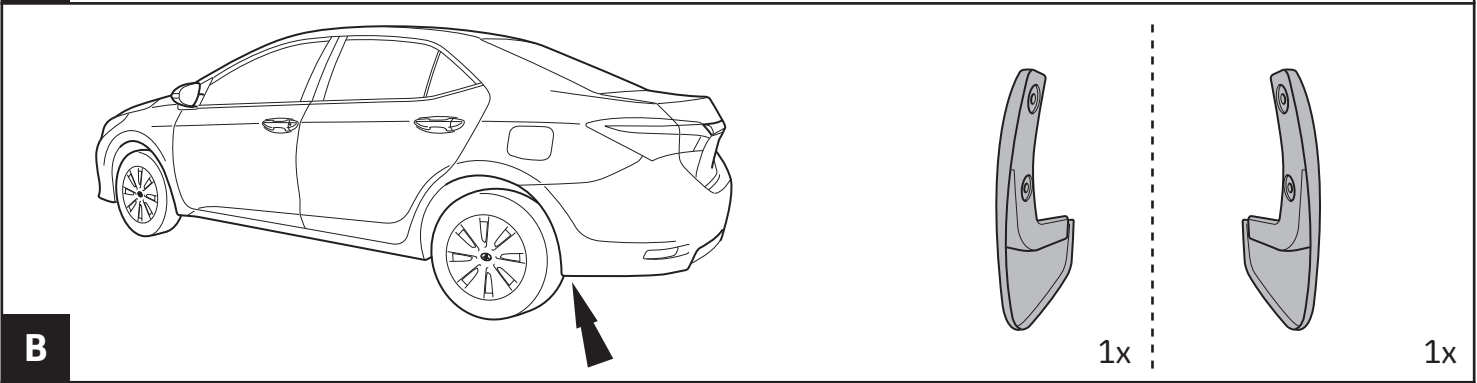
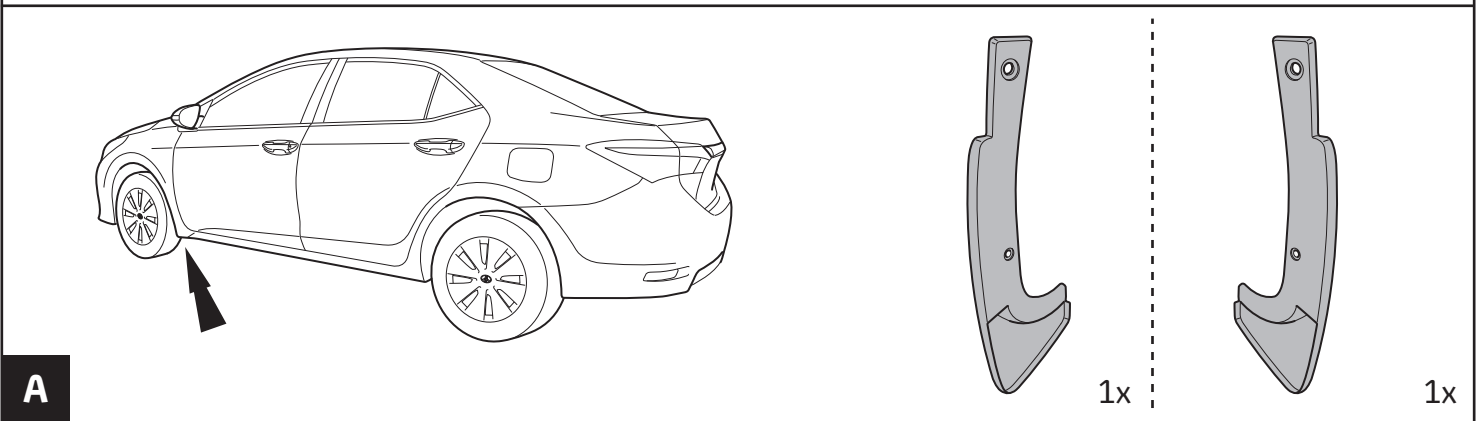
Part number: PZ49U-E3960-00

Manual reference number: AIM 002 922 - 1

Revision Record

Rev. No.	Date	Page	Picture	Update	New	Deleted steps
1	06.04.16	1, 2		X		
1	06.04.16	3	2			X
1	06.04.16	3-7		X		

PZ49U-E3960-00

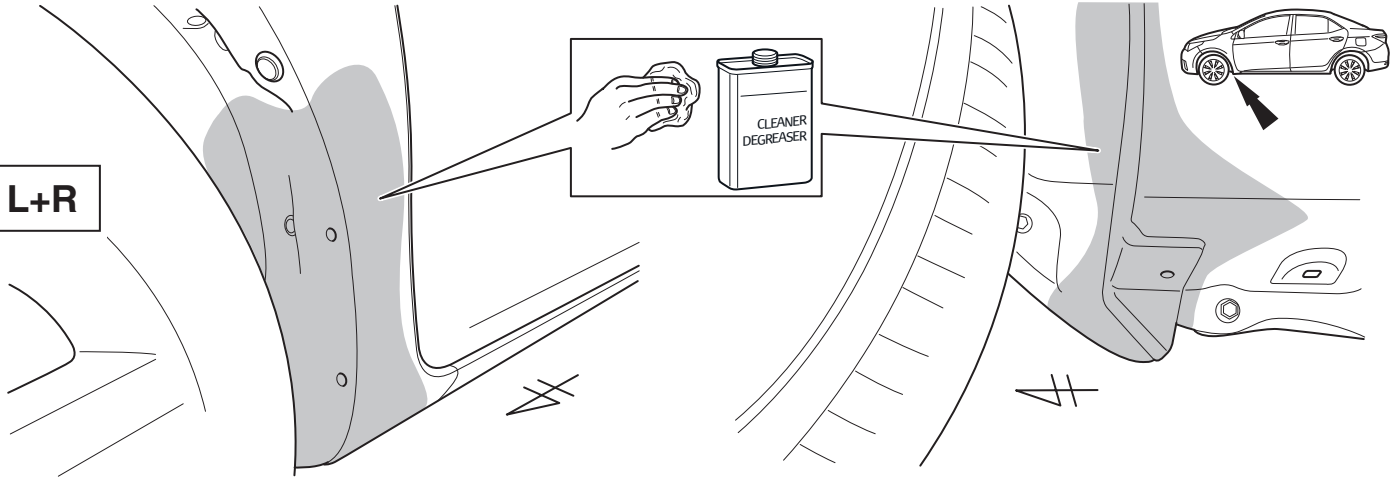




40°C
18°C

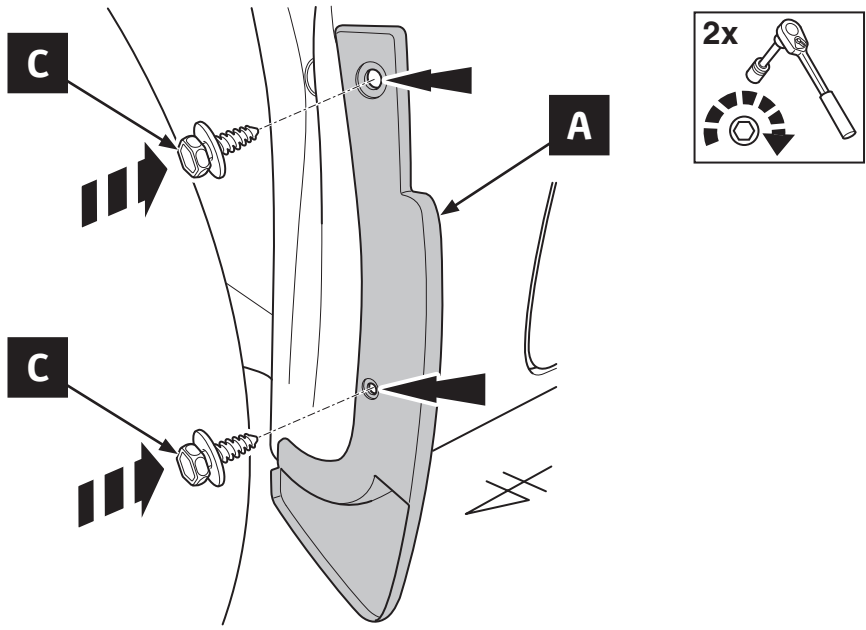


L+R

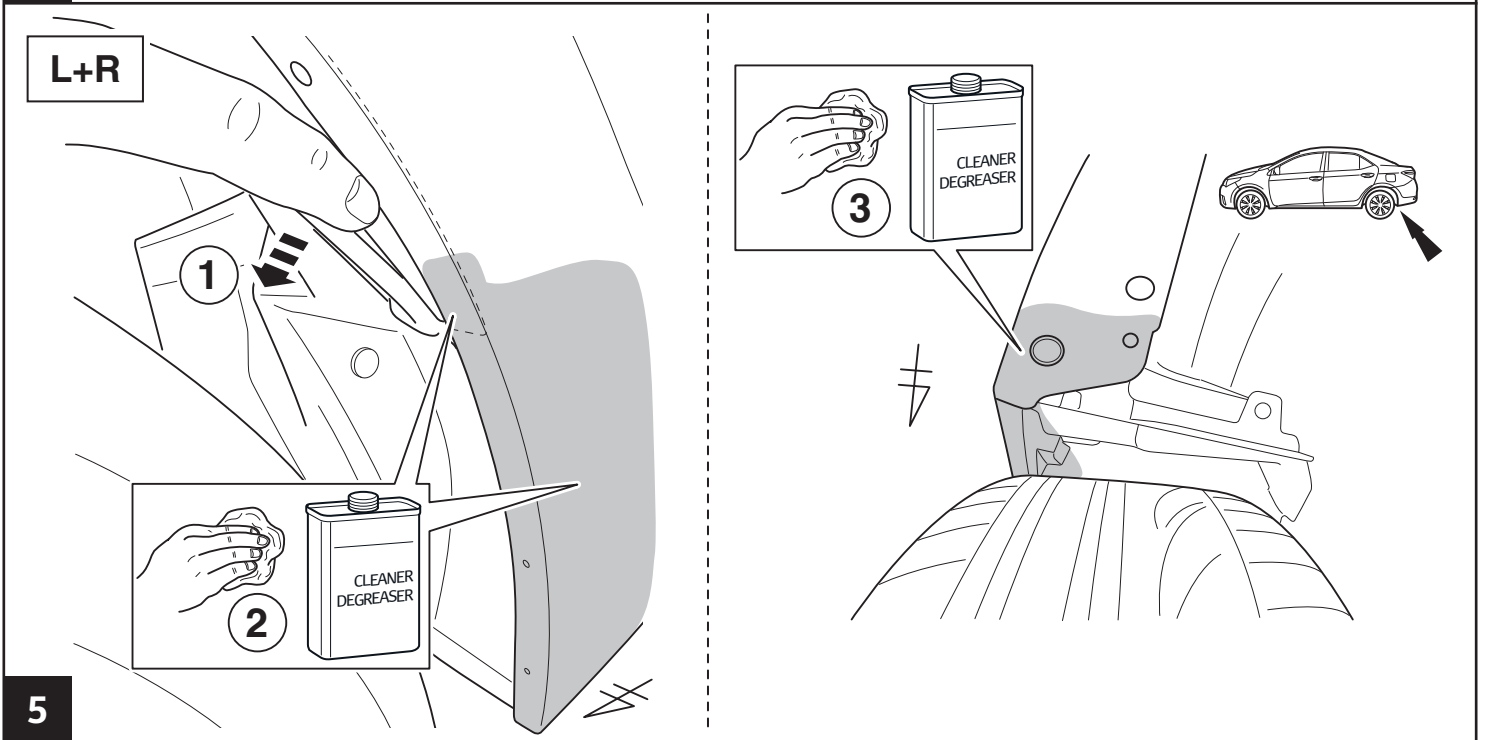
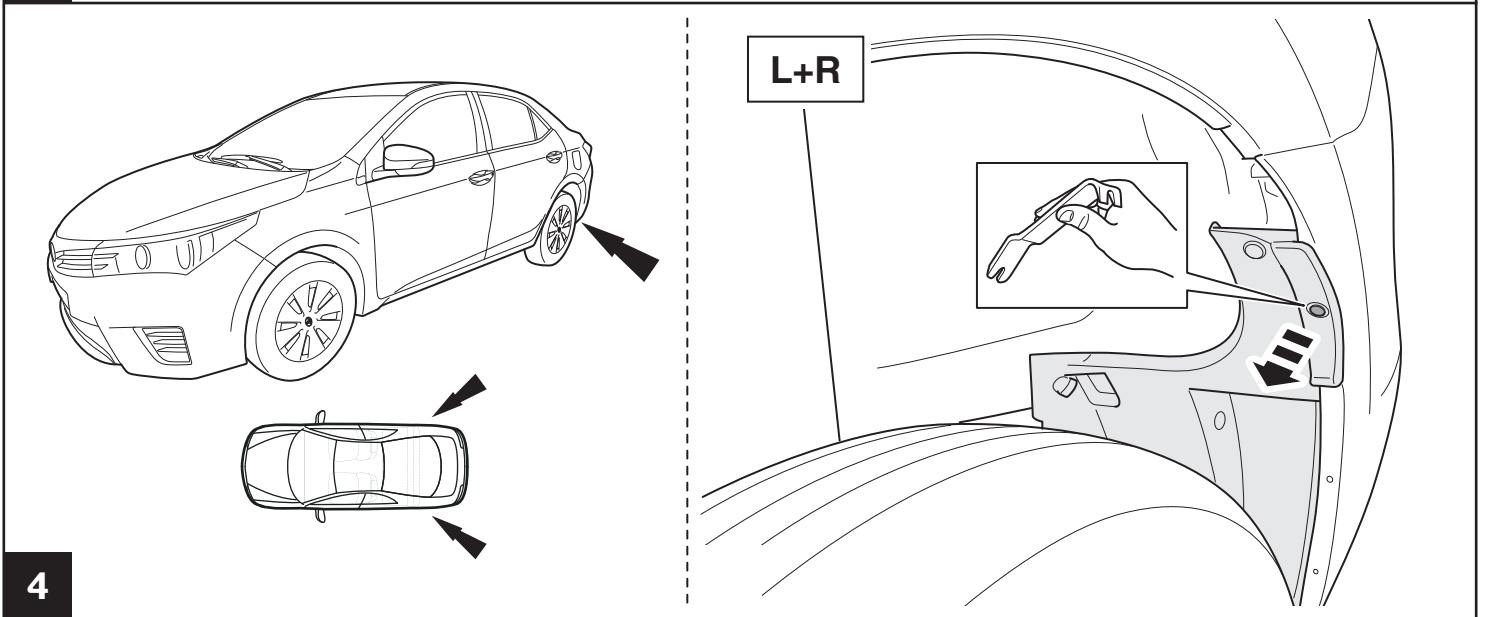
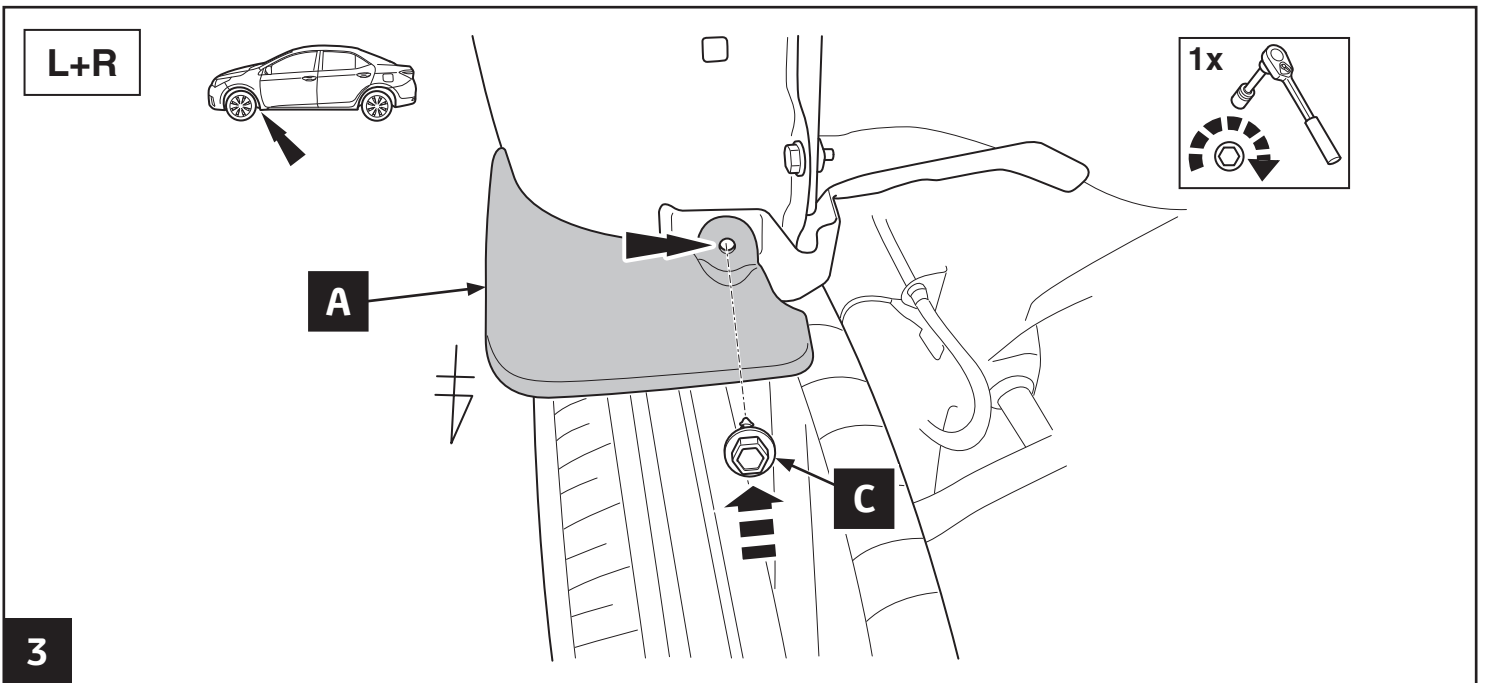


1

L+R

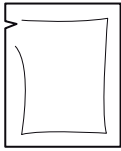


2




L+R

PZ415-00000-00



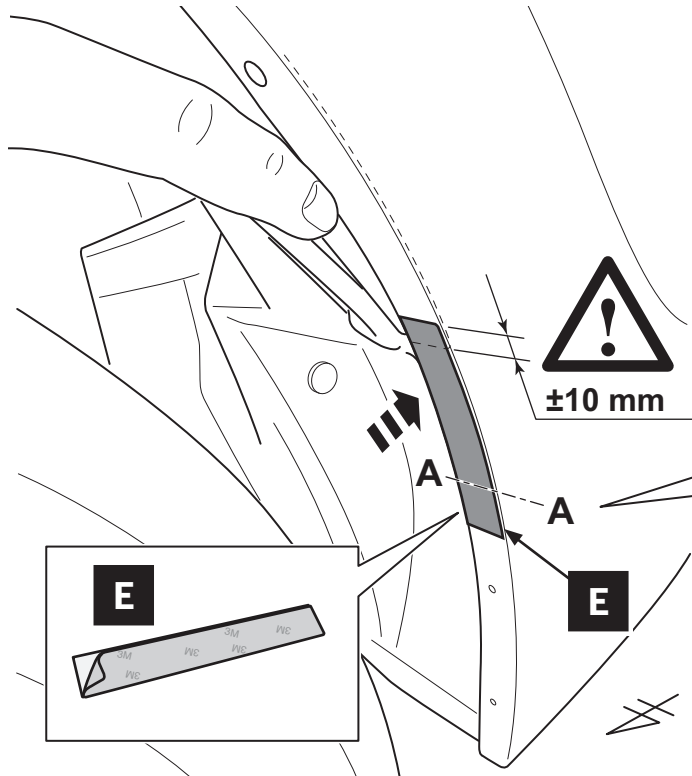
**3M adhesion promoter
4298 UV**



**>1.5 mins.
< 1 hour**

6

L+R



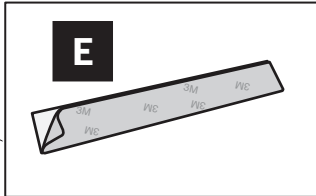
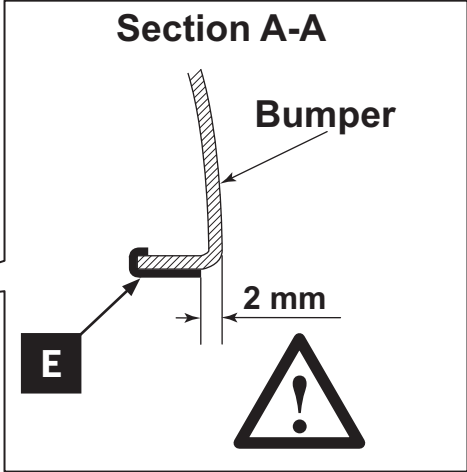
±10 mm

Section A-A

Bumper

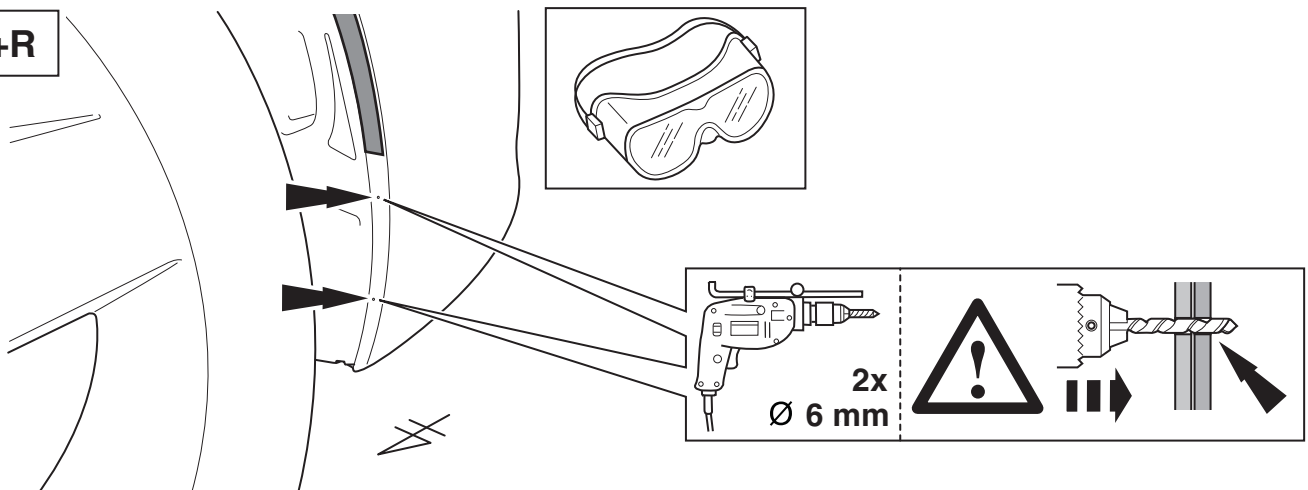
2 mm

E

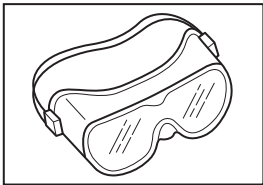
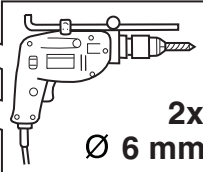

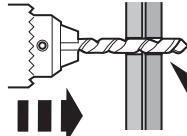



7

L+R

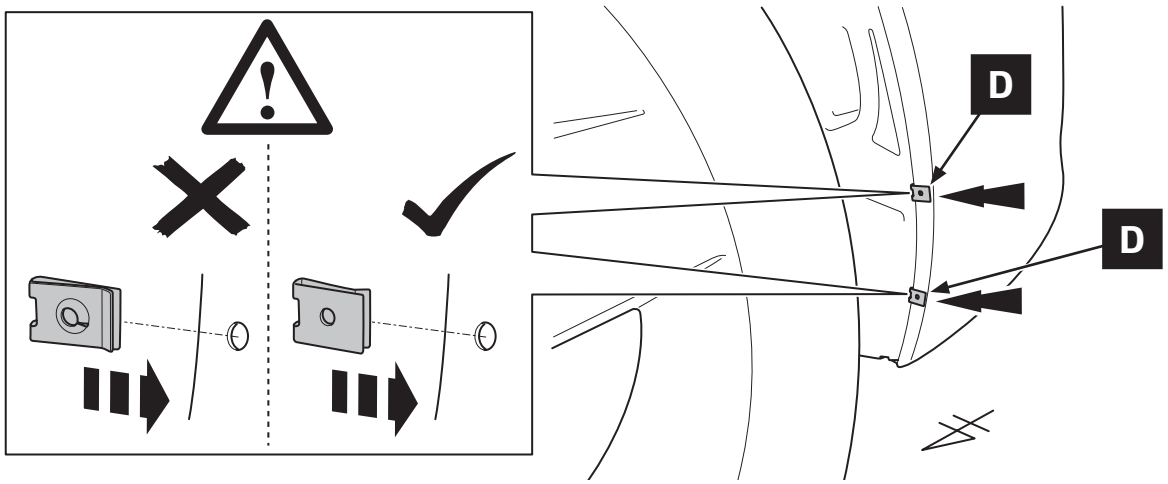


**2x
Ø 6 mm**

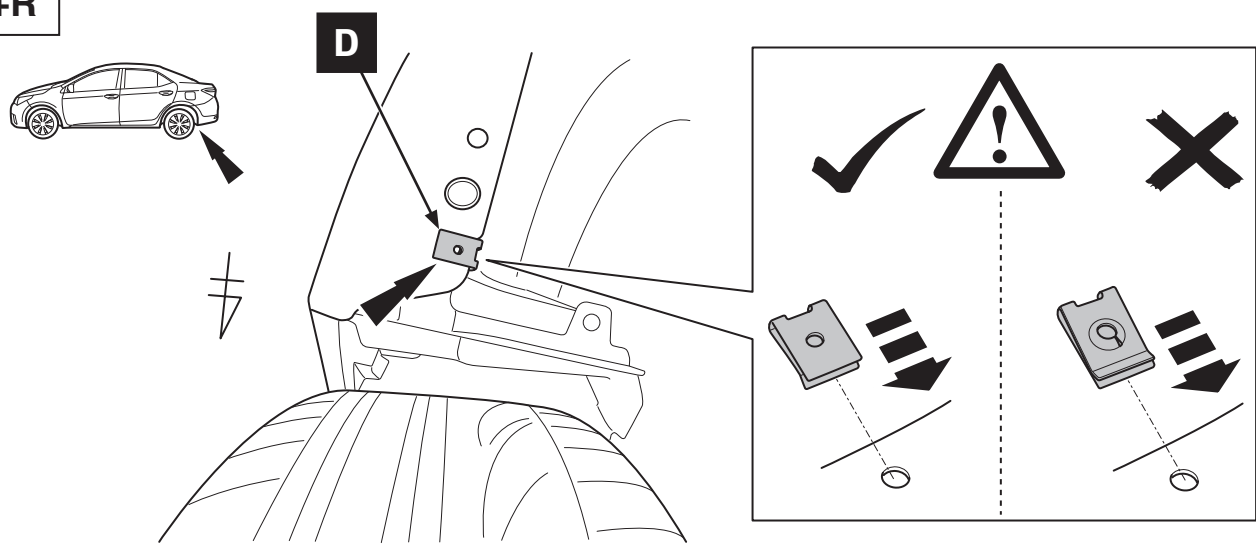
8

L+R



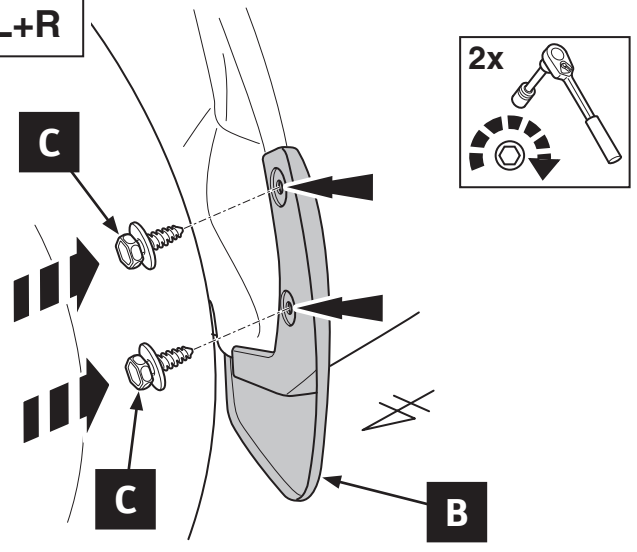
9

L+R



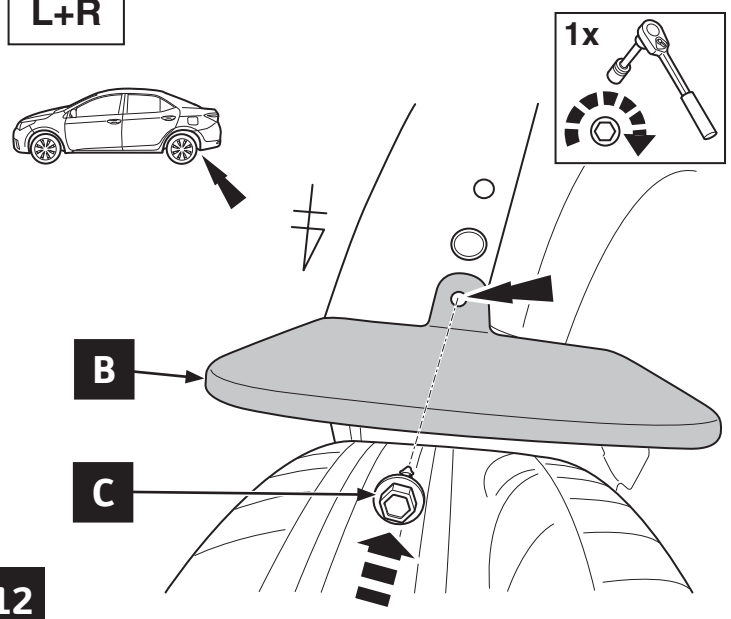
10

L+R



11

L+R



12

CHECK SHEET



TOYOTA

ALWAYS A BETTER WAY

Model / Year **Corolla 2013/06**
2016/06

Mud Flaps
Front & Rear

VIN n°

P/N = OK

Section A-A
Bumper
2 mm
 ± 10 mm

LH = RH

LH = RH

= OK

Installation Date:

... / ... / ...

Technician Name & Signature:

Stamp: