



**TOYOTA**

ALWAYS A  
**BETTER WAY**

# Yaris

## Scuff Plates - Front Set (Hybrid)

Installation instructions

Model year: as from 2020/06

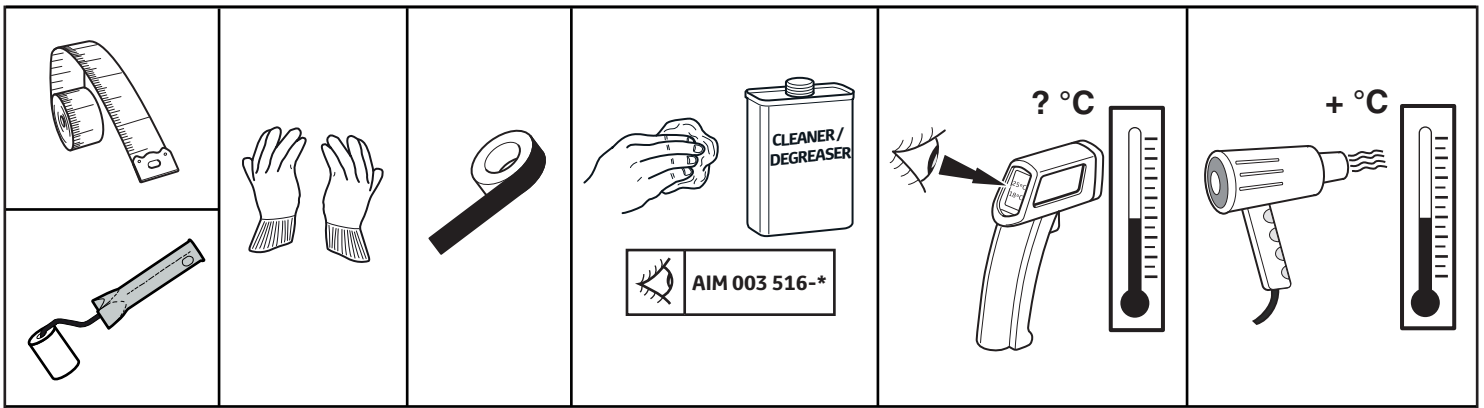
Vehicle code: MXP11\*-BHX\*BW

Part number: PW382-0D007 Front set for Hybrid

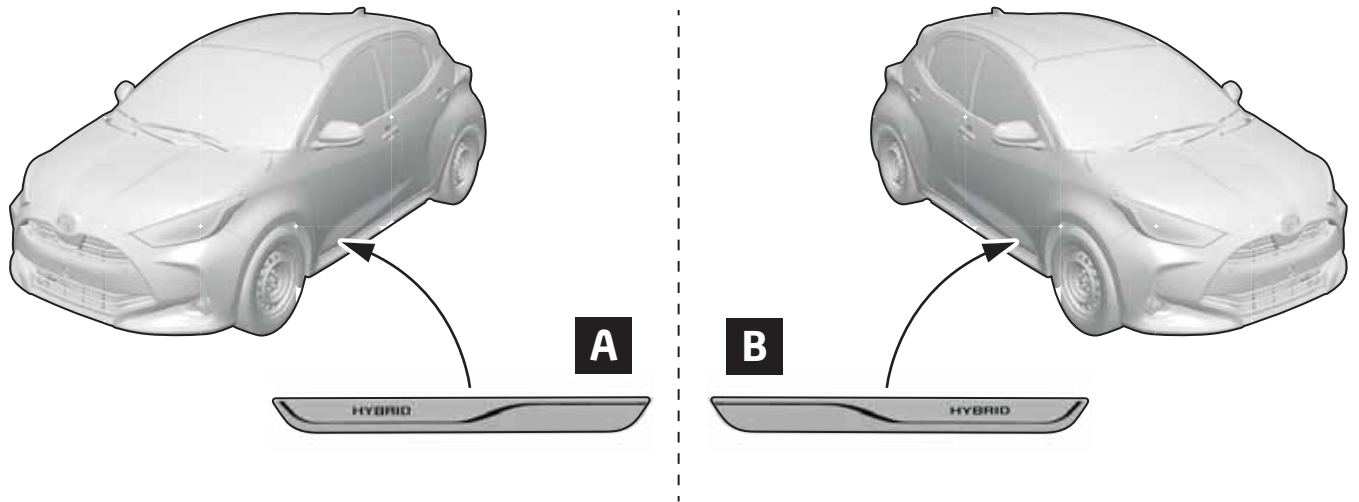
Manual reference number: AIM 004 599 - 0

# Revision Record

Rev. No.	Date	Page	Picture	Update	New	Deleted steps



## PW382-0D007 (HYBRID)



1x

**INFO**

Material Safety Data Sheet

MSDS  
TDS

Technical Data Sheet

20°C - 40°C

40°C  
20°C

20°C - 40°C

40°C  
20°C

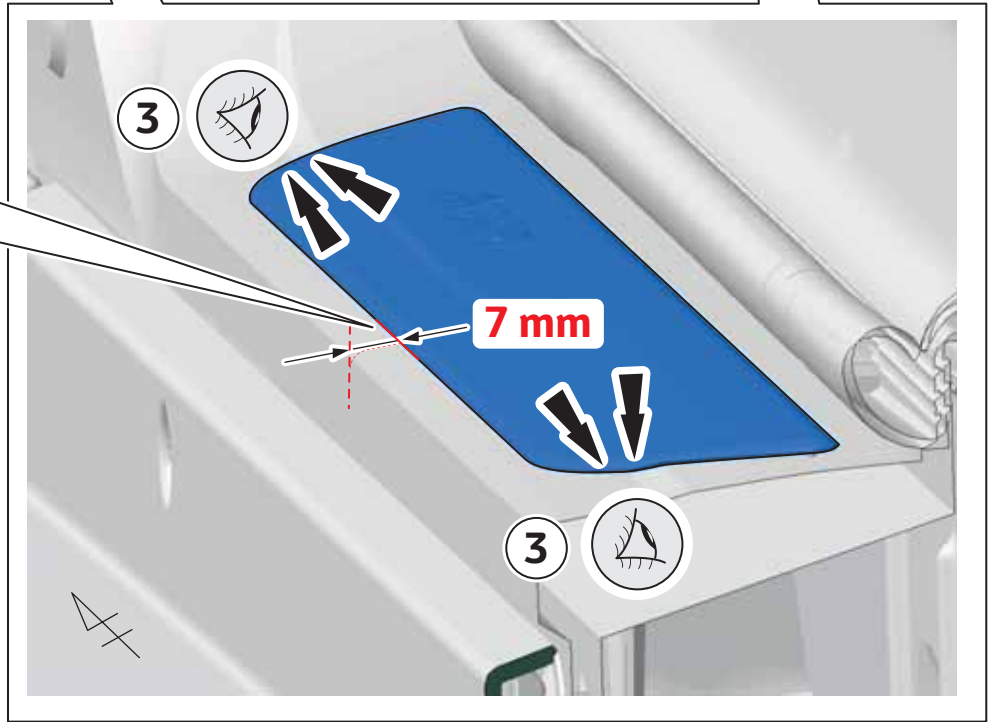
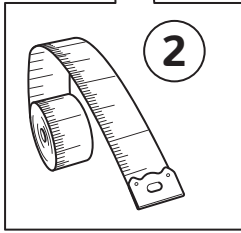
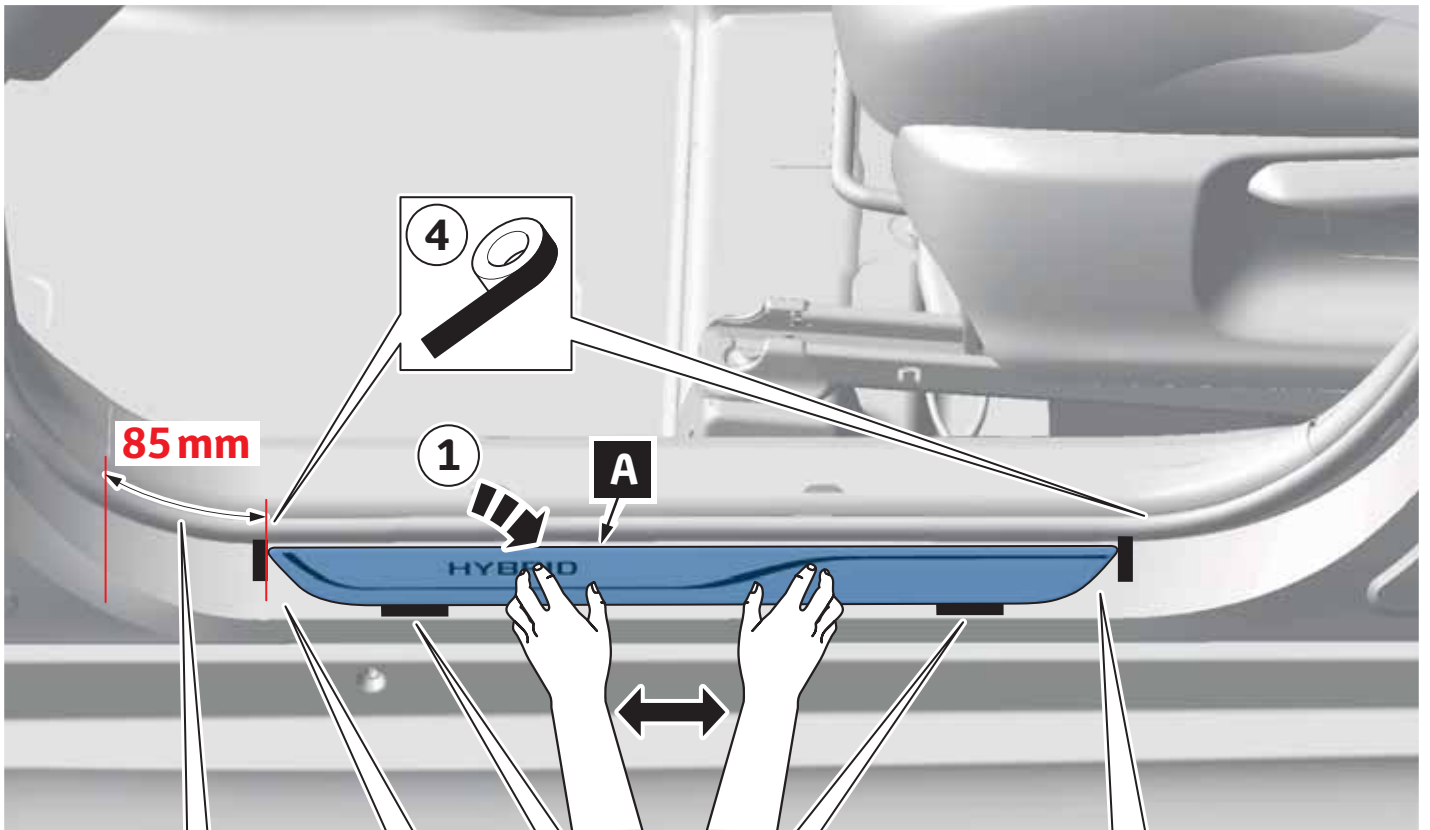
**INFO**

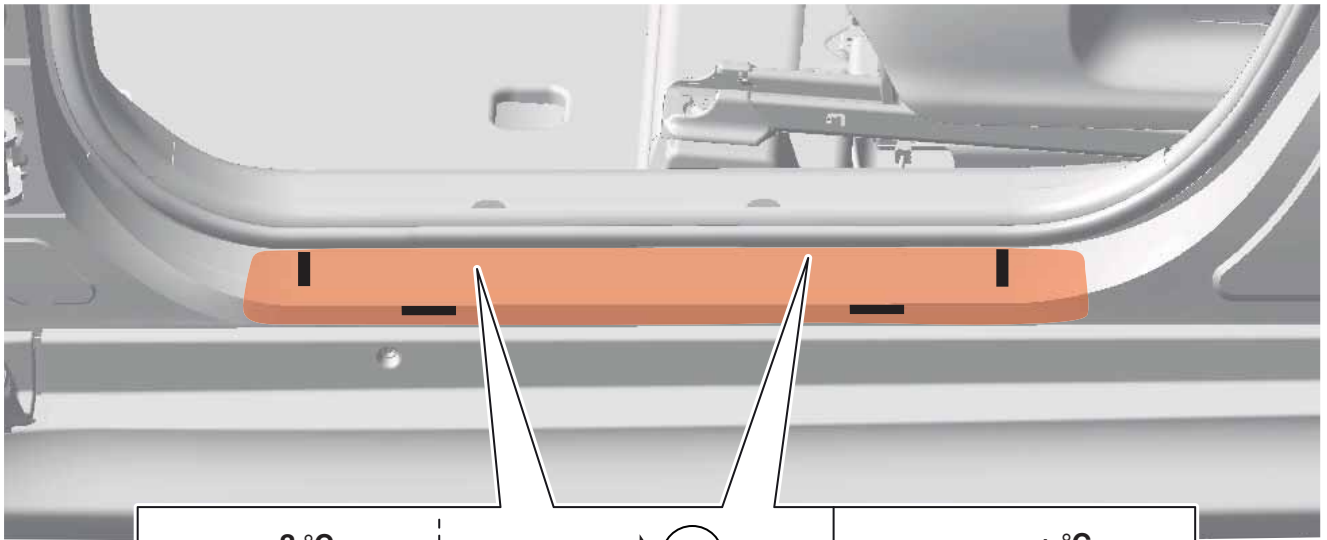
**A**  
Front LH

**B**  
Front RH

DEGREASER CLEANER

**1**





4

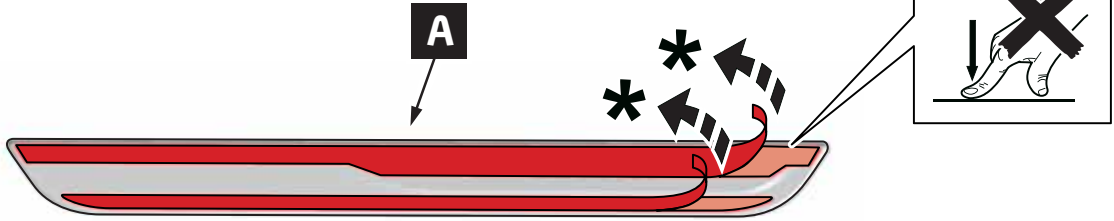
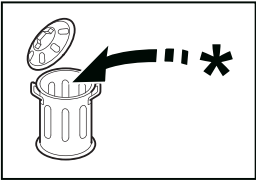
<p>1</p>	<p>&lt; 20°C → 2</p> <p>20°C - 40°C → 4</p>	<p>2</p>
<p>3</p>	<p>20°C - 40°C → 4</p>	<p><b>INFO</b></p> <p>3 → 7</p>

3



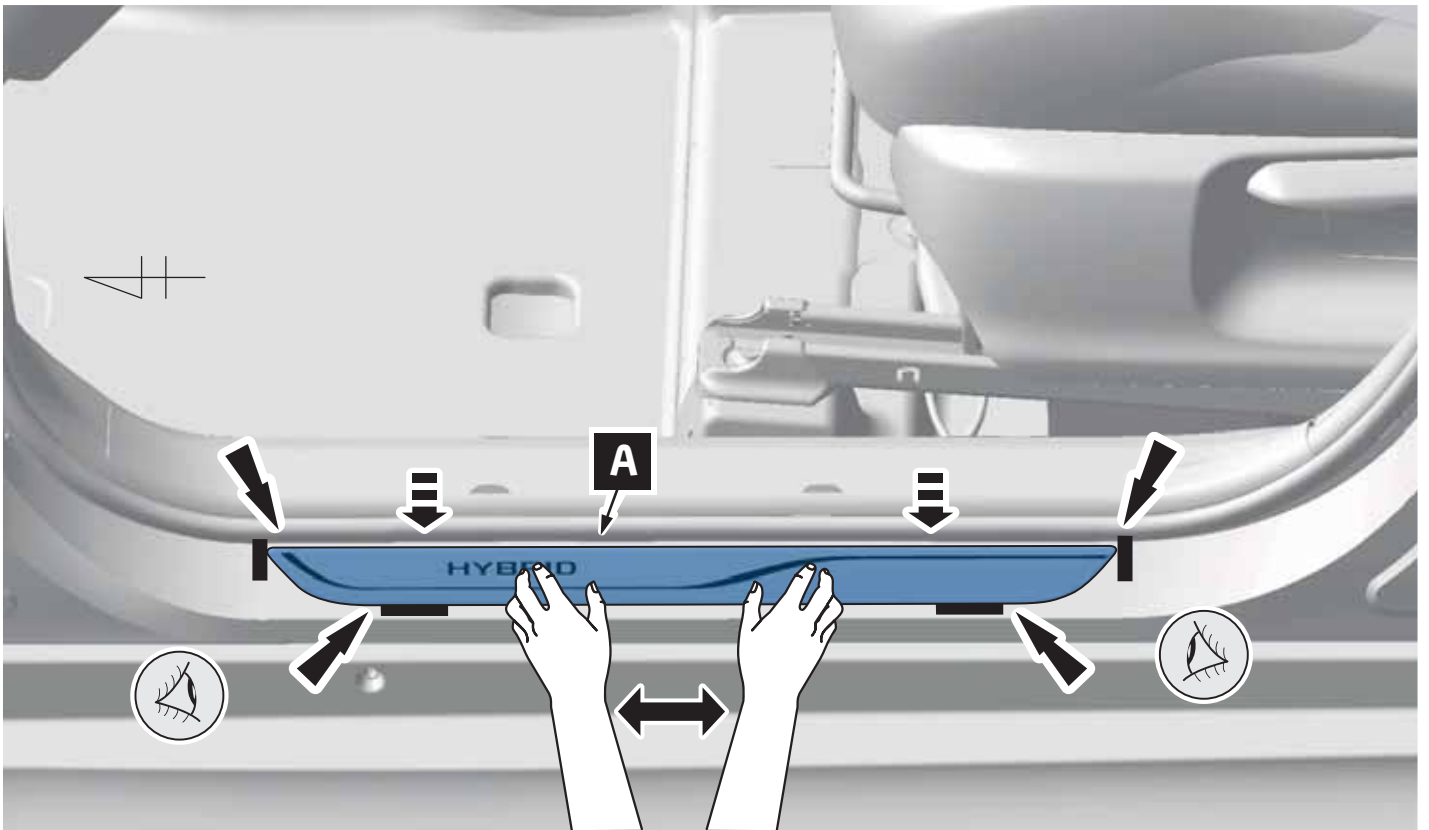
<p>1</p>	<p>&lt; 20°C → 2</p> <p>20°C - 40°C → 5</p>	<p>2</p>
<p>3</p>	<p>20°C - 40°C → 5</p>	<p><b>INFO</b></p> <p>4 → 7</p>

4



A

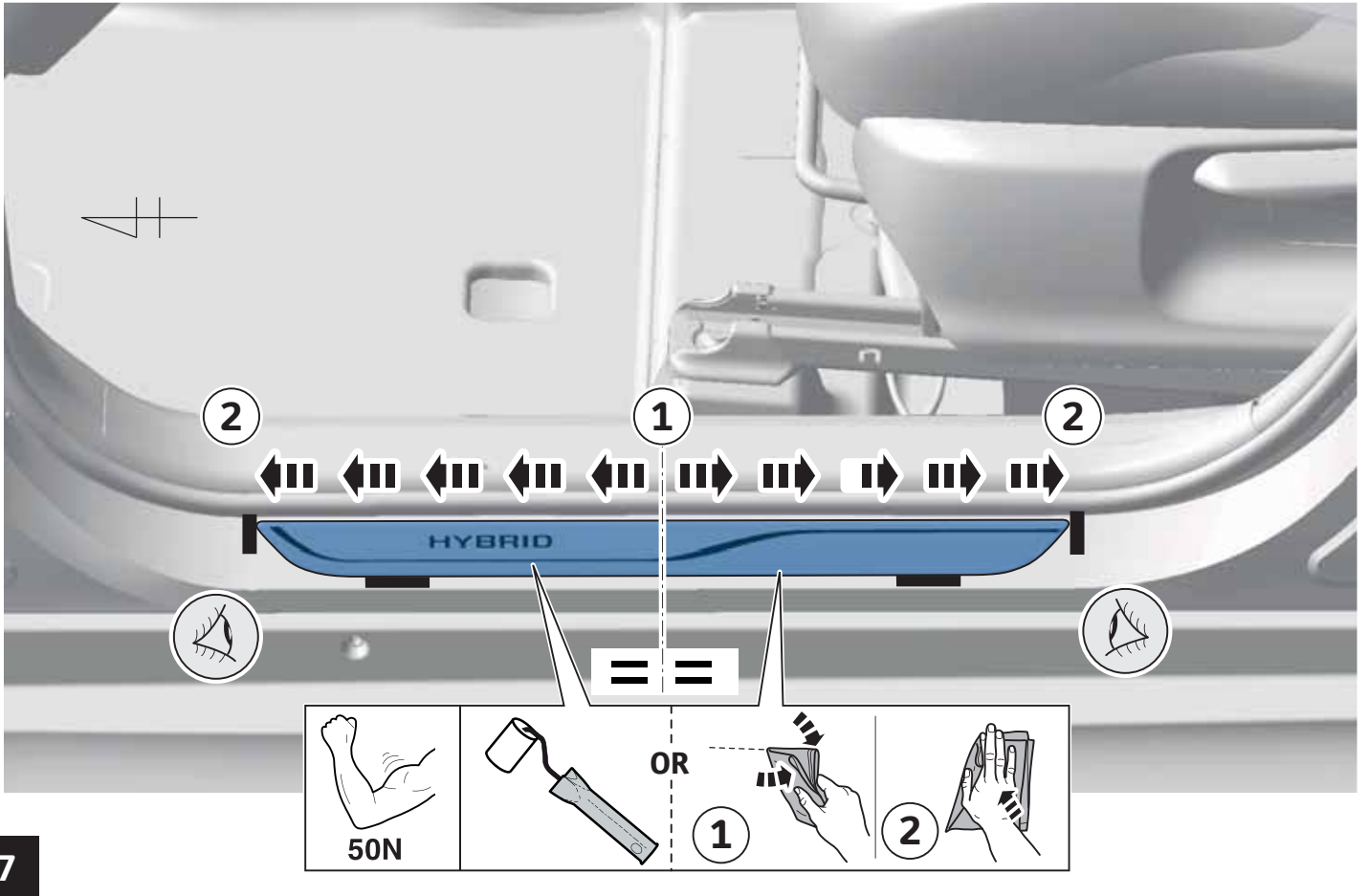
5



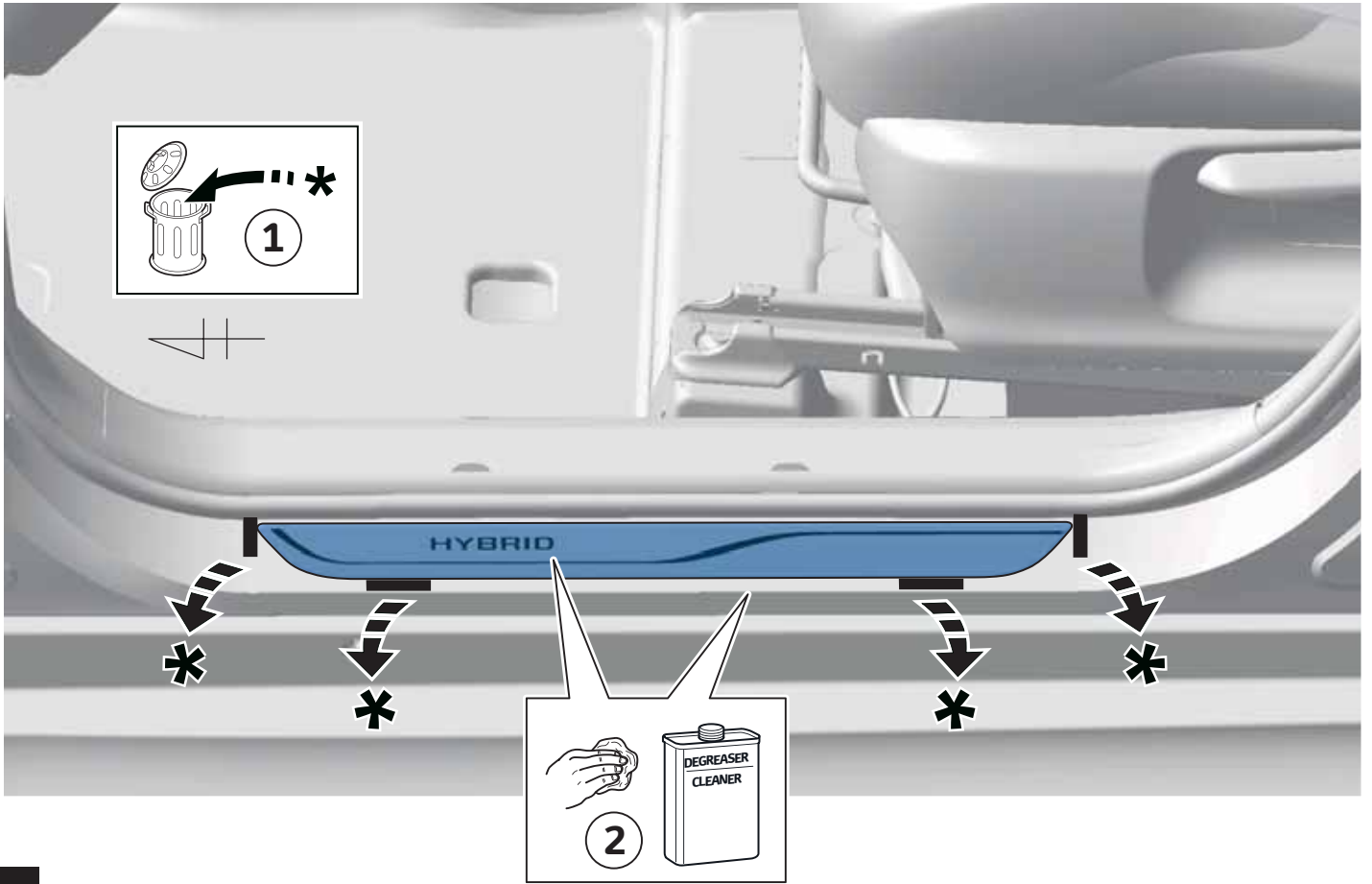
A

HYBRID

6



7



8

RHS = LHS





# CHECK SHEET Page 1 of 1



**TOYOTA**

**Model / Year** Yaris as from 2020/06  
**Hybrid**

**Scuff Plates**

**VIN n°**

ALWAYS A  
 BETTER WAY

## DURING INSTALLATION

**1** **P/N = OK**

## AFTER INSTALLATION

**1** **2x**

**2** **RHS**  **LHS**

**3** **= OK** **RHS**  **LHS**

**Installation Date:**  
 . . / . . / . . . .

**Technician Name & Signature:**

**Stamp:**