

AYGO X

Mudflaps - Front & Rear Set

Installation Instructions

Model year: As from 2022/03

Vehicle code: KGB70*-AH**KW

Part number: PW389-0H030 Front Set
PW389-0H040 Rear Set
PW389-0H100 (Phased out)

Manual reference number: AIM 005 468-1

Latest Version
SCAN HERE



Revision Record



Revision Record

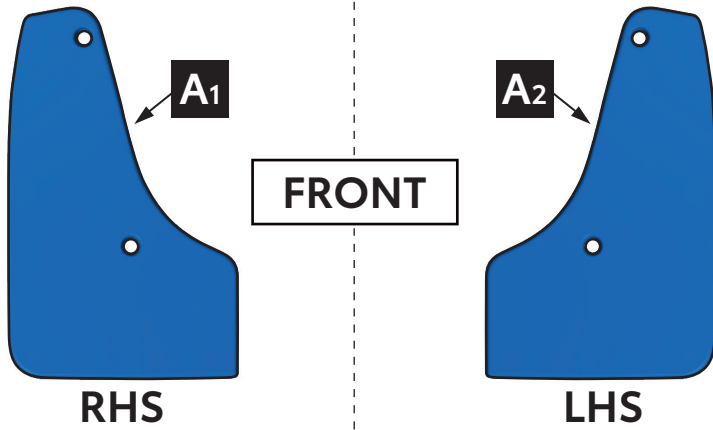
Rev. No.	Date	Page	Step	Remarks
1	18.01.24	1, 3		Part number added

KIT CONTENT

PW389-0H030 Front Set



A



RHS

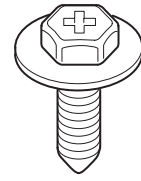
LHS

SPARE PART

1x

1x

B



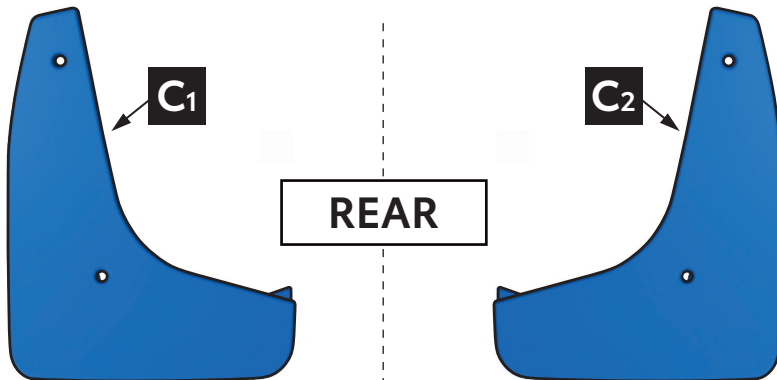
SPARE PART

90159-60602

6x

PW389-0H040 Rear Set

C



RHS

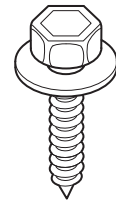
LHS

SPARE PART

1x

1x

D

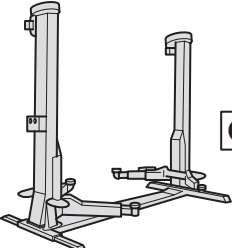
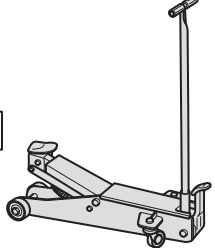
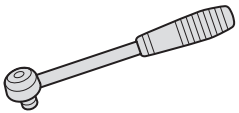
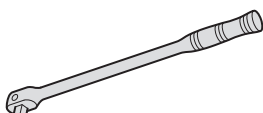
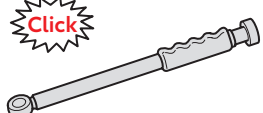

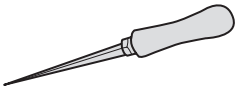
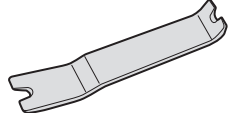
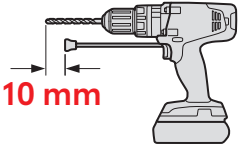
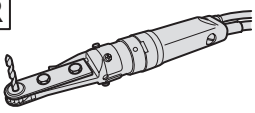
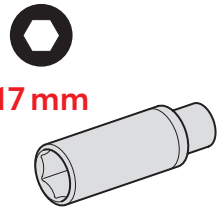
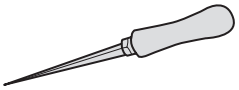
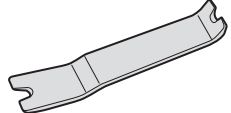
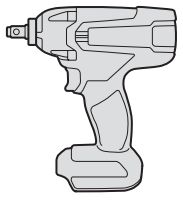
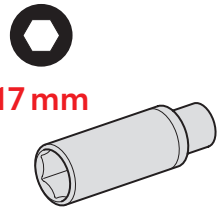
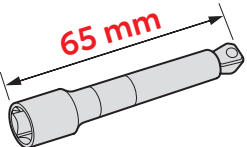
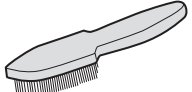
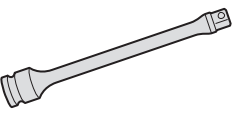


SPARE PART

90159-50353

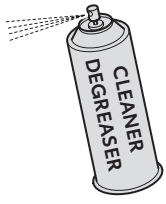
4x

TOOLS

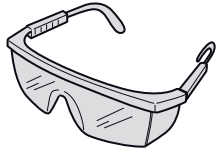
	<p>OR</p> 			
<p>Cobalt Drill bits Ø3 mm</p>	<p>Cobalt Drill bits Ø3 mm</p>	 <p>10 mm 17 mm</p>		
 <p>10 mm</p>	<p>OR</p> 	 <p>17 mm</p>		
<p>Torque stick 100Nm</p>		 <p>17 mm</p>	 <p>65 mm</p>	
				

CONSUMABLES

CLEANER / DEGREASER



PERSONAL PROTECTION EQUIPMENT



USEFUL GENERAL MANUALS

SYMBOLS



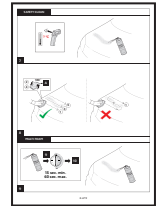
Latest Version
SCAN HERE



CLEANER / DEGREASER



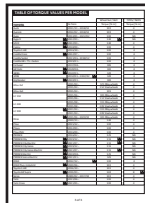
Latest Version
SCAN HERE



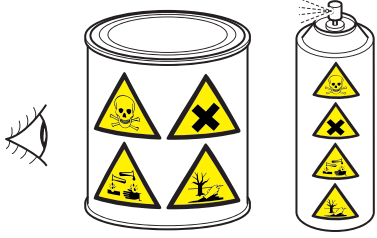
WHEEL TORQUE VALUES



Latest Version
SCAN HERE



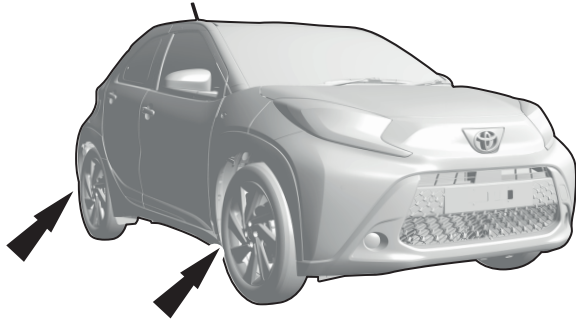
GENERAL



Material Safety Data Sheet

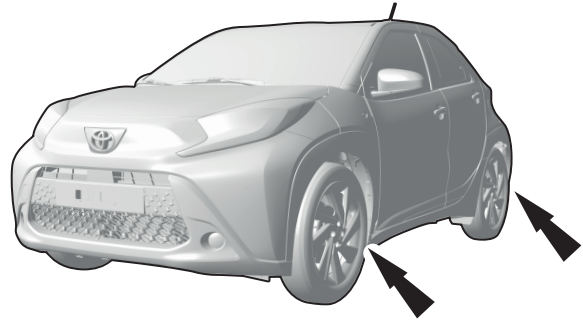


Technical Data Sheet



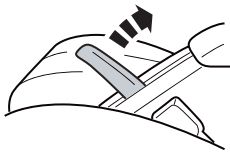
RHS

=

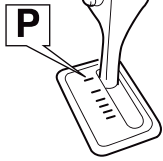


LHS

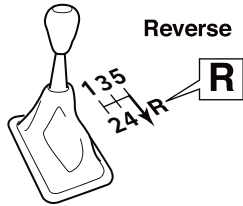
INSTALLATION INSTRUCTIONS



Parking

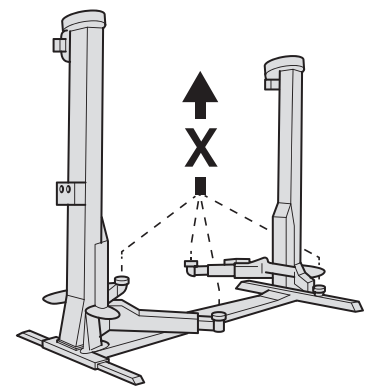
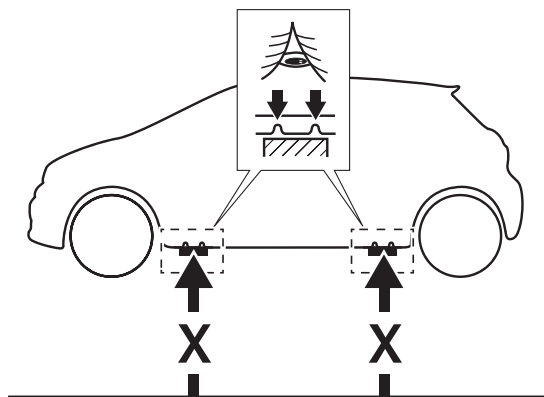
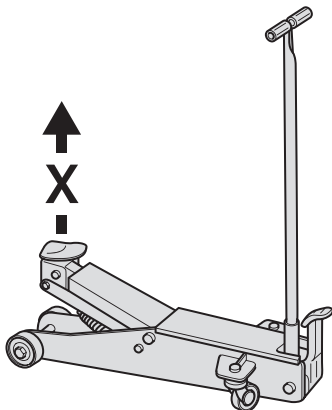
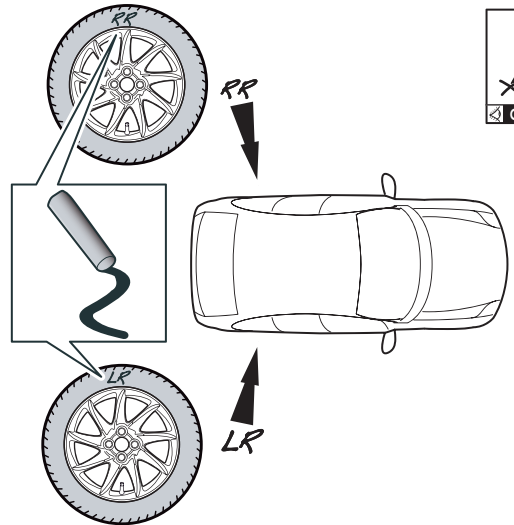


Reverse

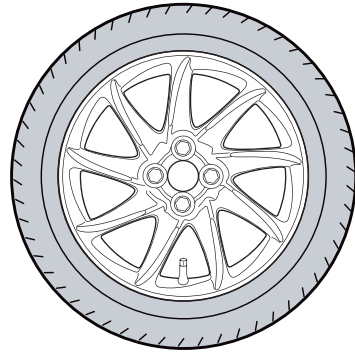
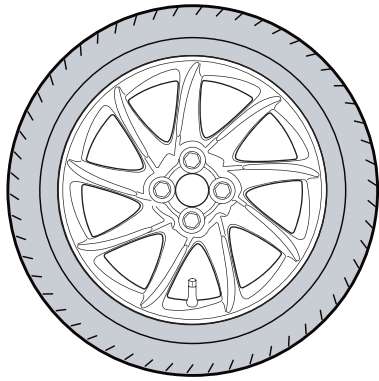


1

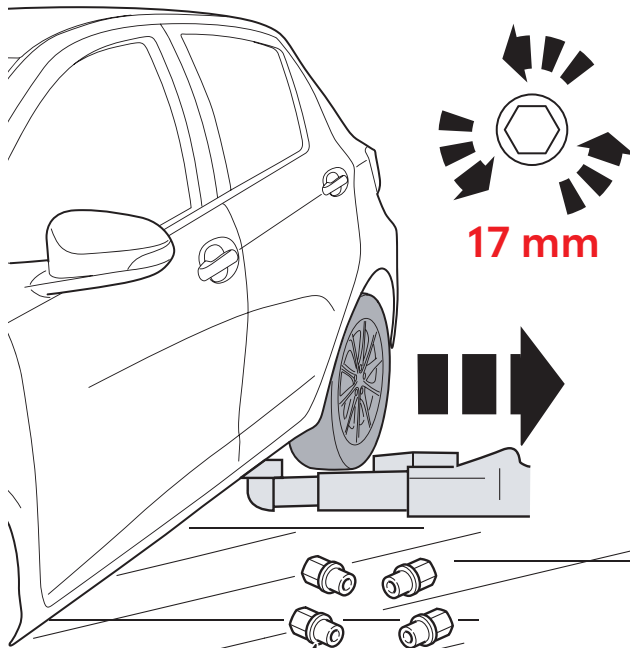
2



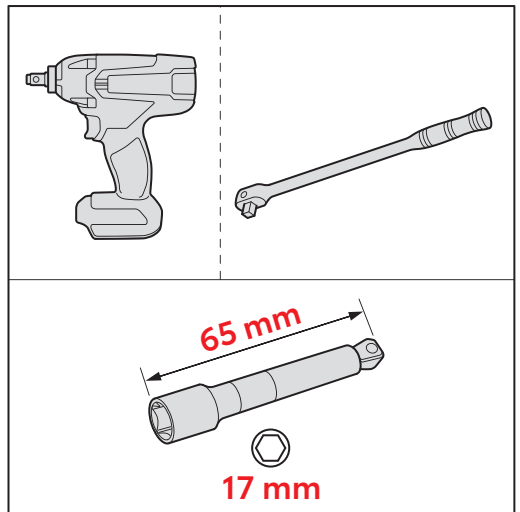
3



4



17 mm

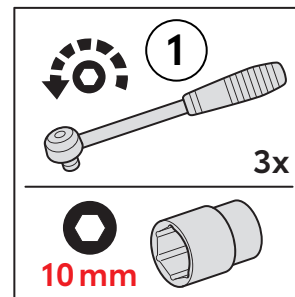
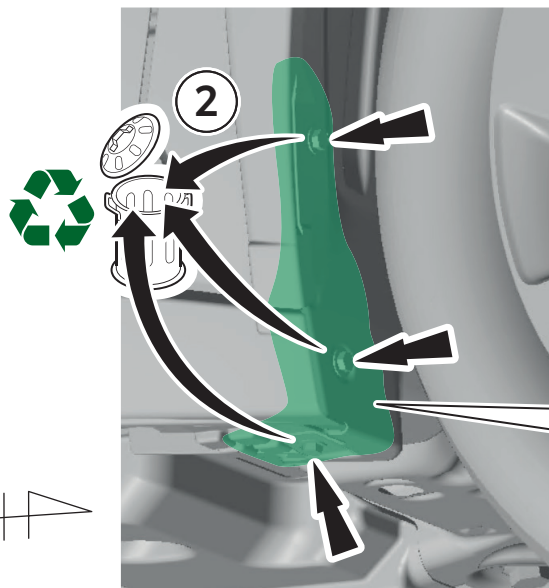
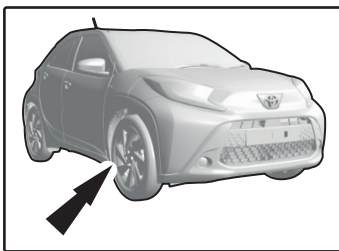


65 mm

17 mm



5

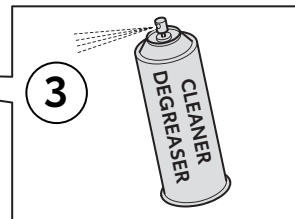


1

3x

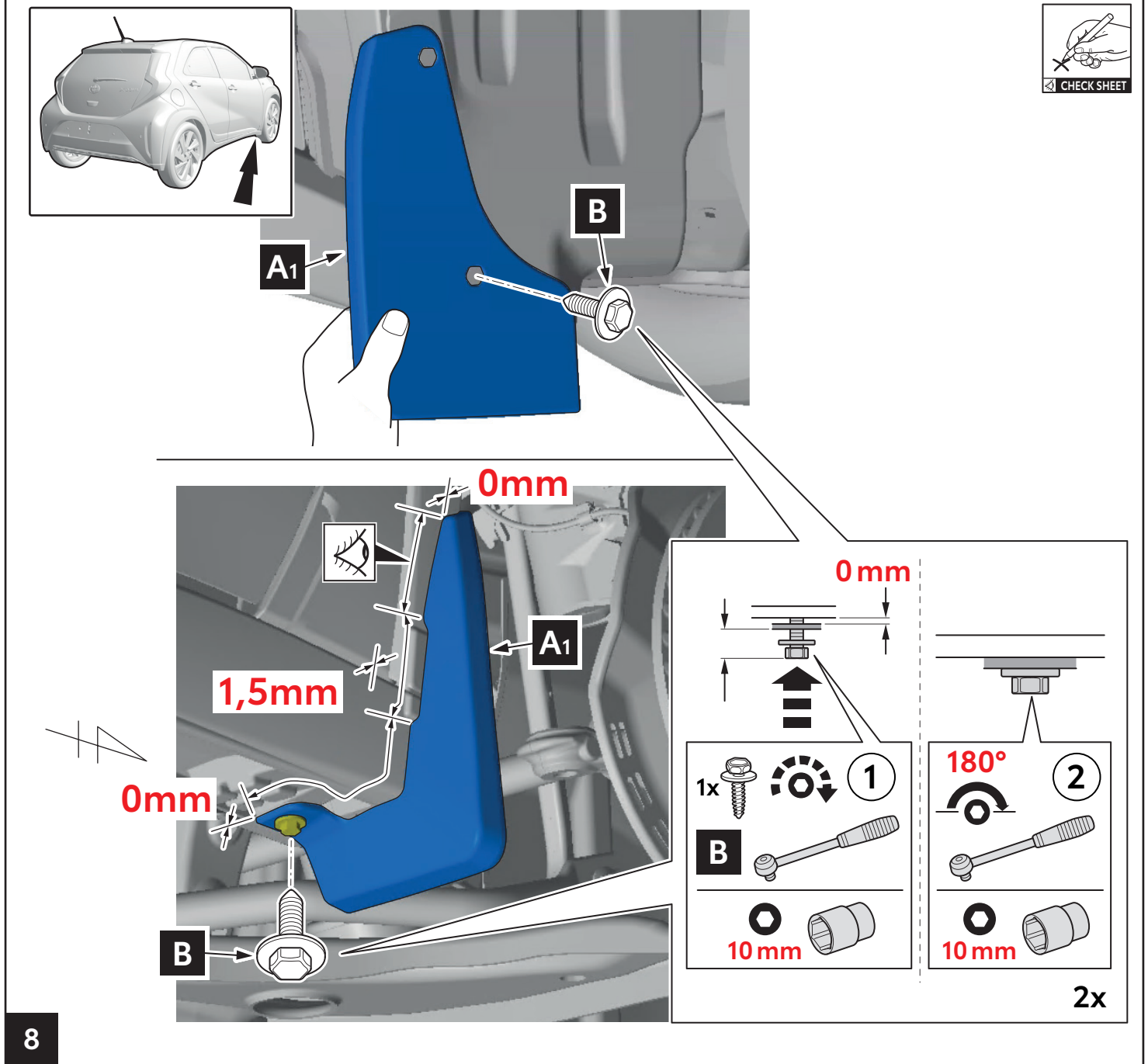
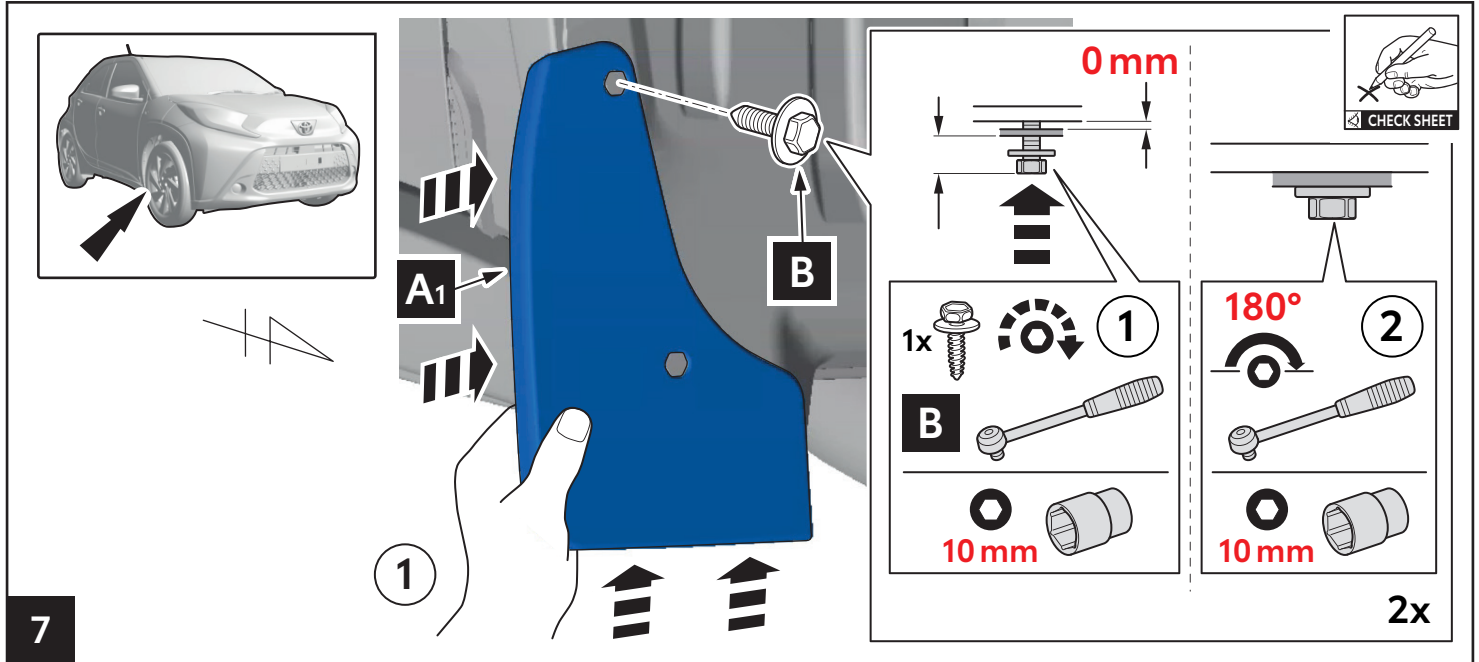


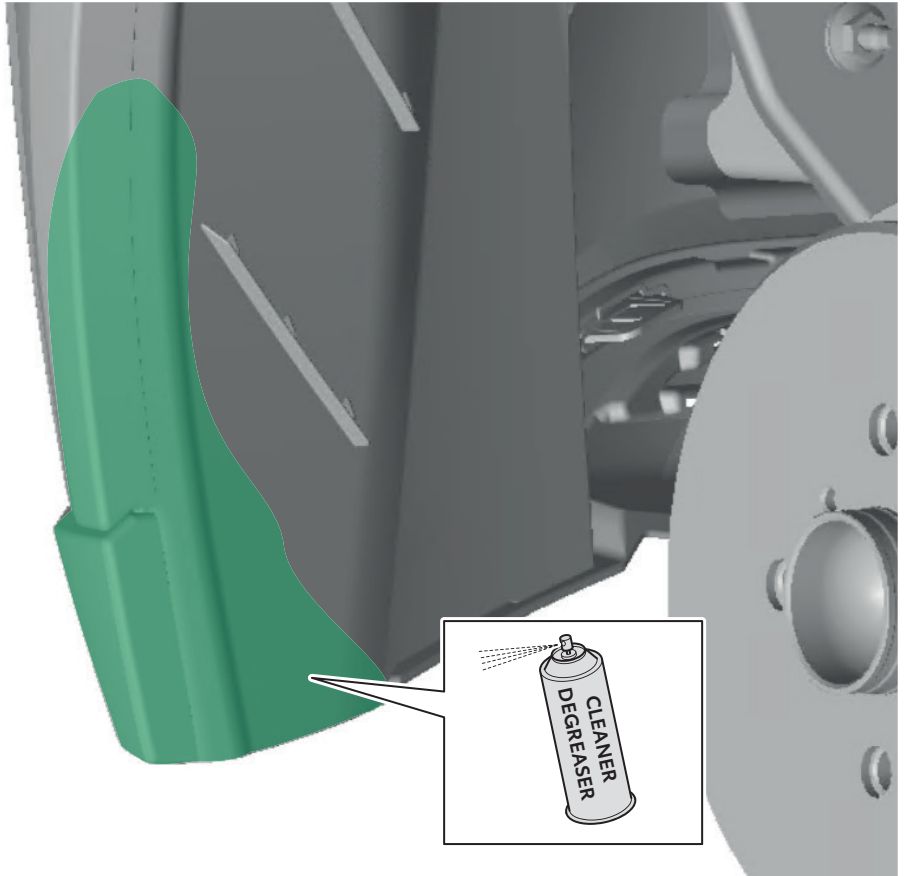
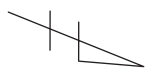
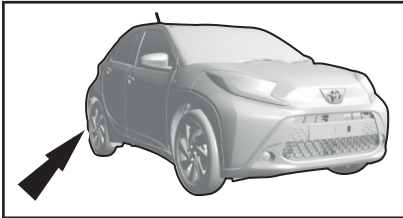
10 mm



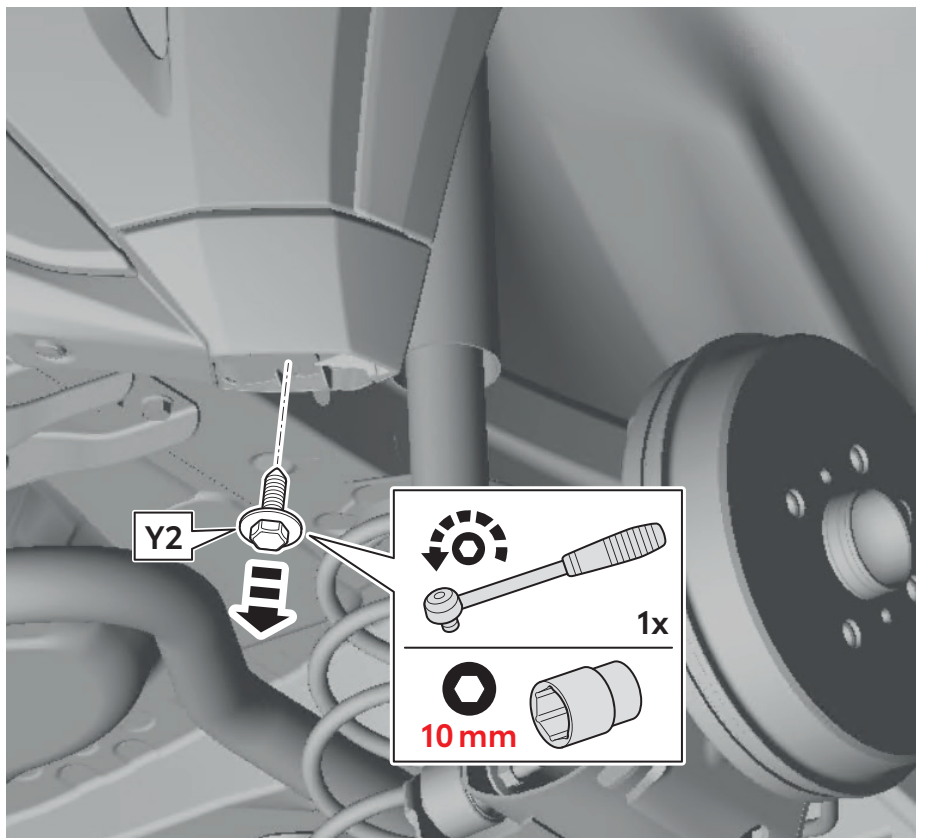
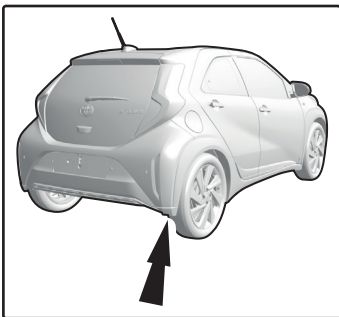
3

6

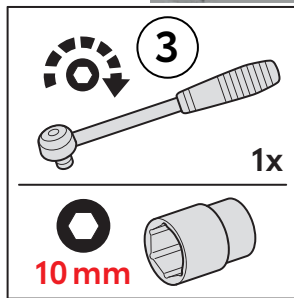
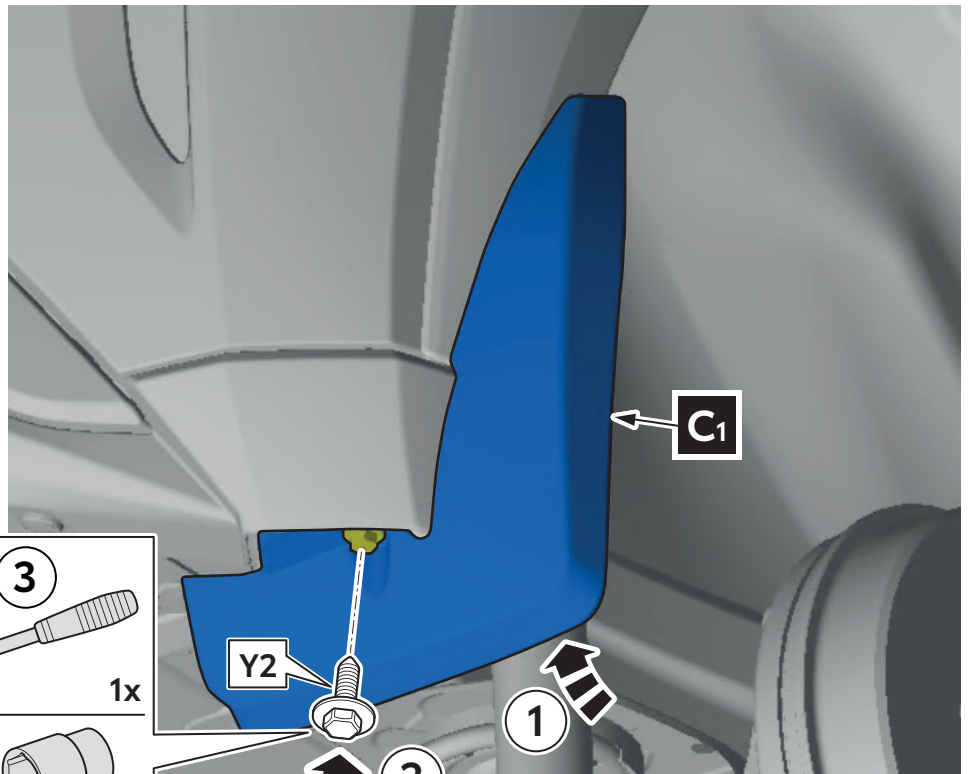
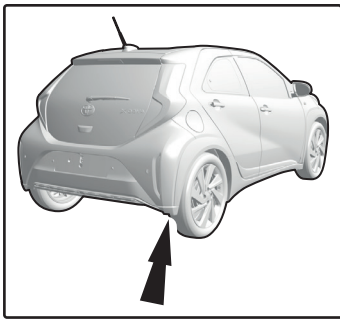




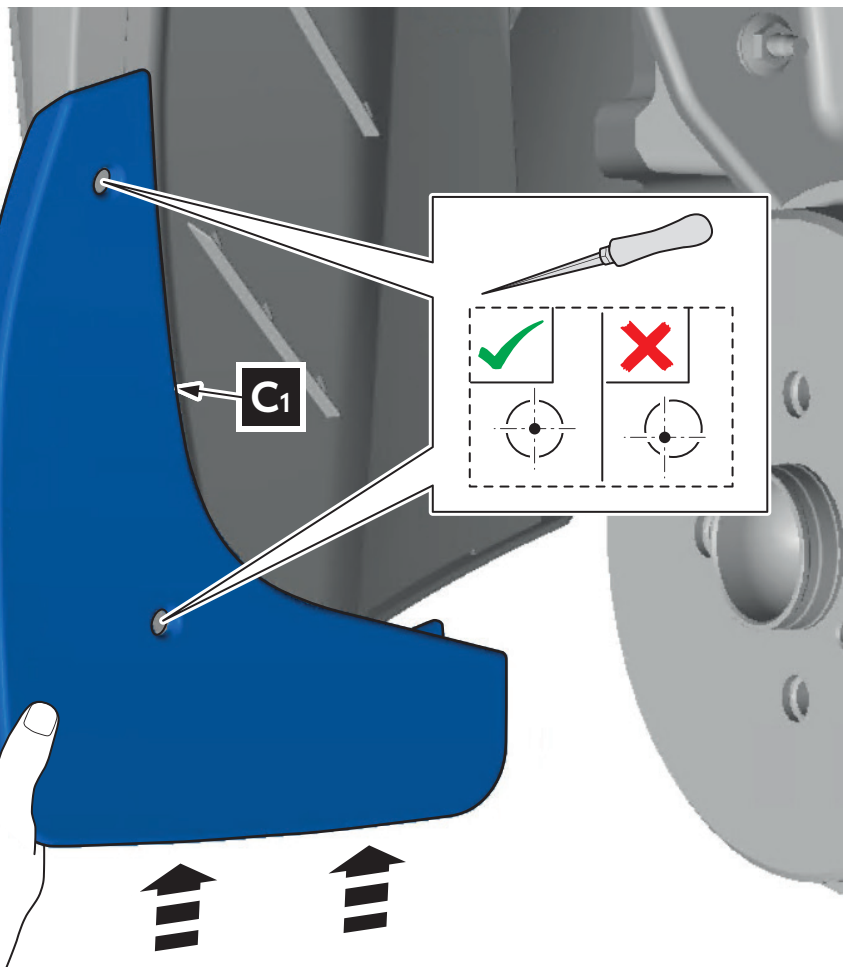
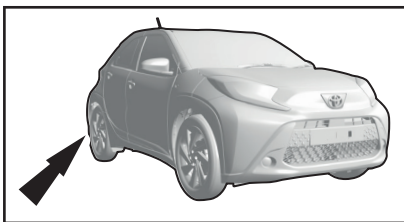
9



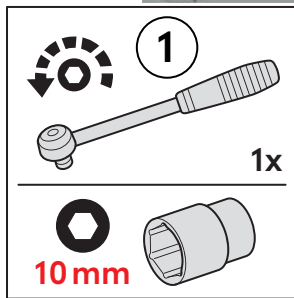
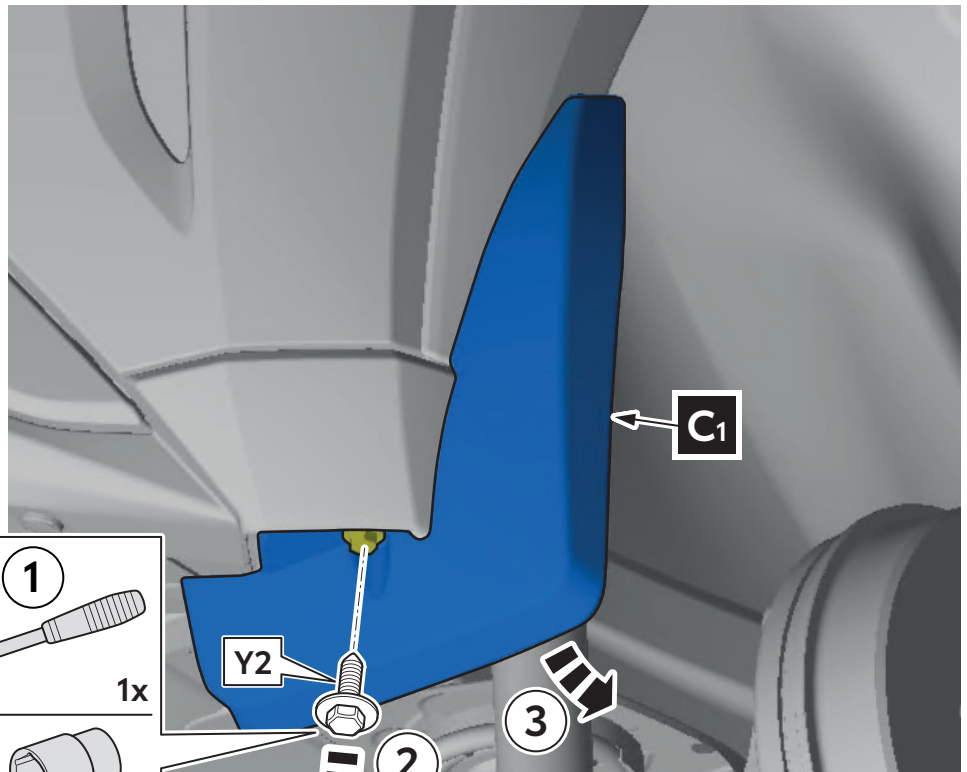
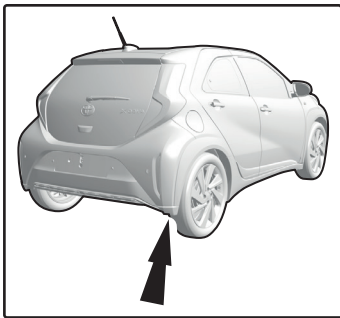
10



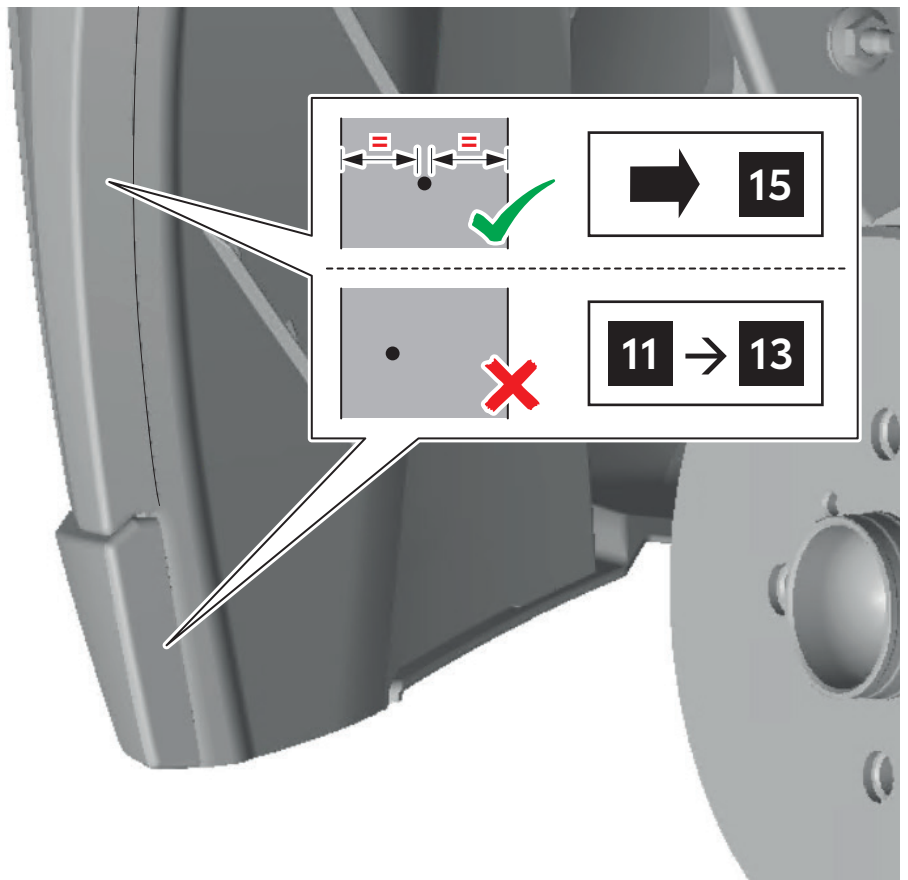
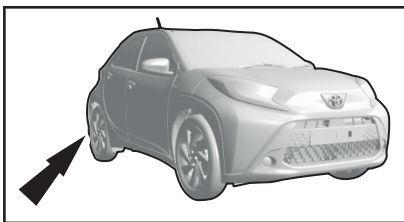
11



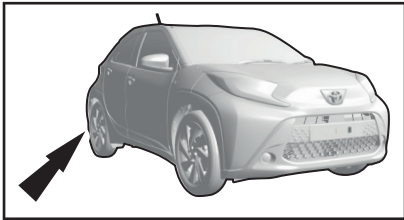
12



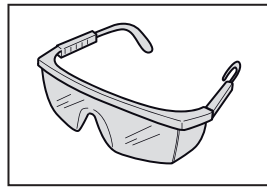
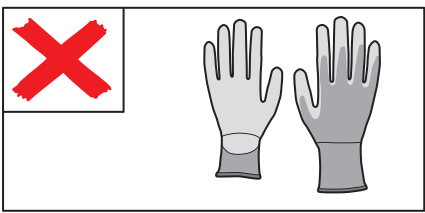
13



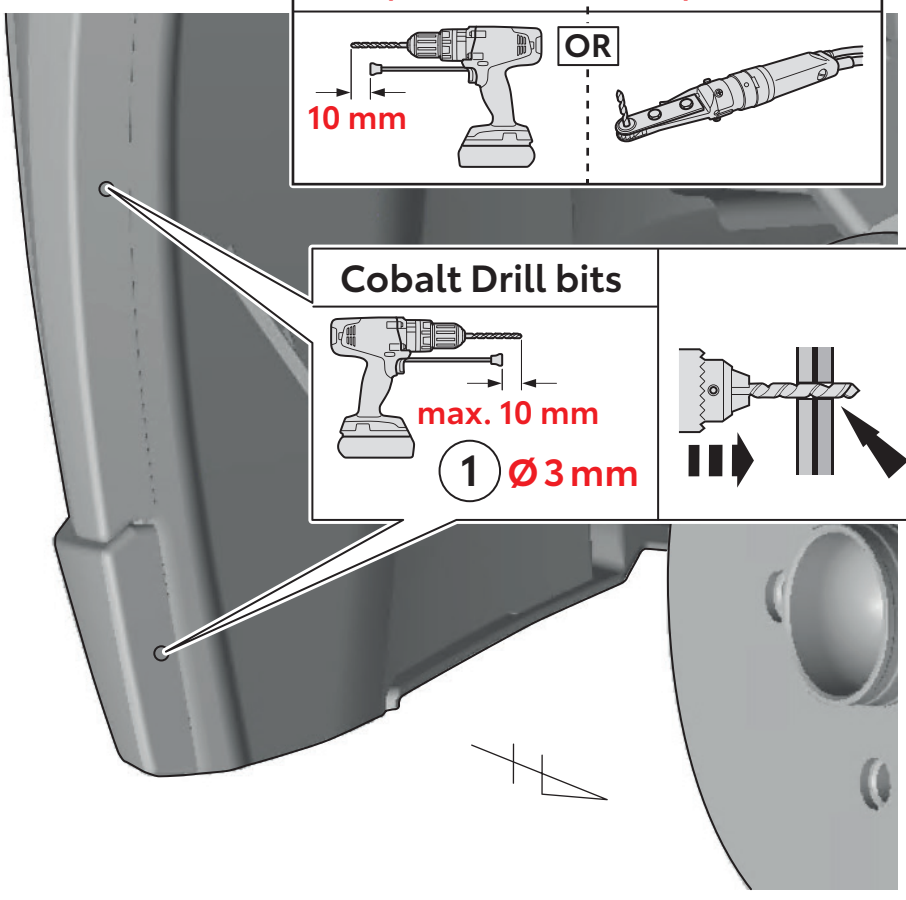
14



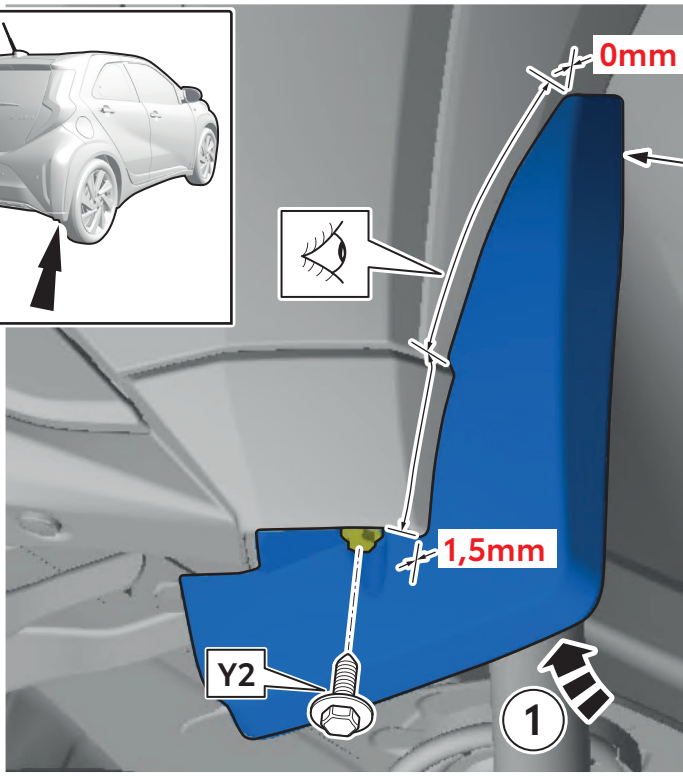
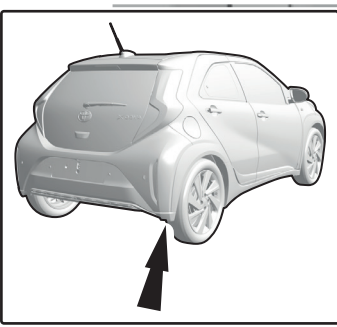
18" wheel only



ALTERNATE METHOD	STANDARD METHOD
Cobalt Drill bits Ø3 mm	Cobalt Drill bits Ø3 mm
 10 mm	OR

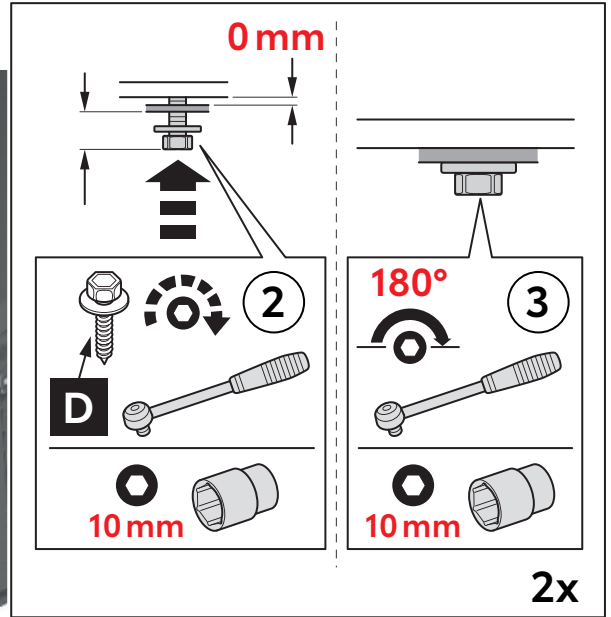
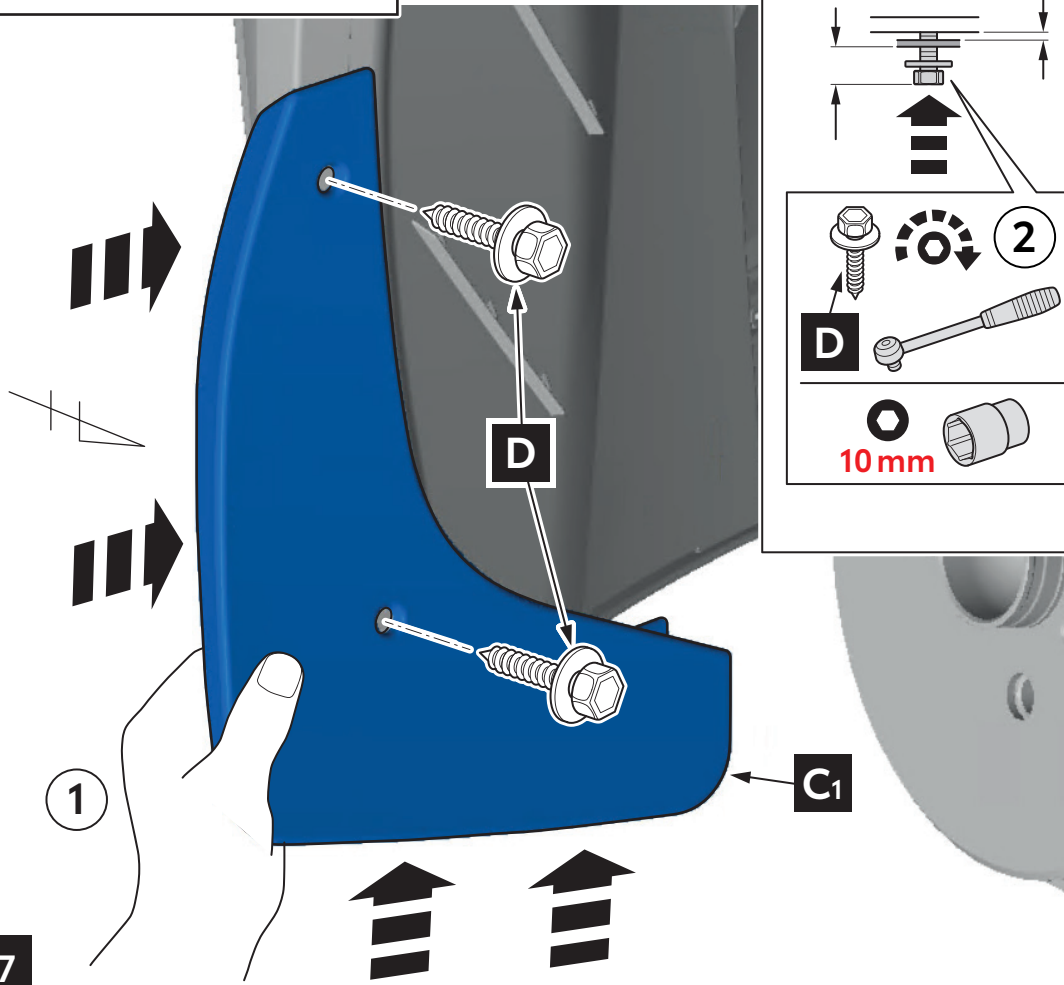
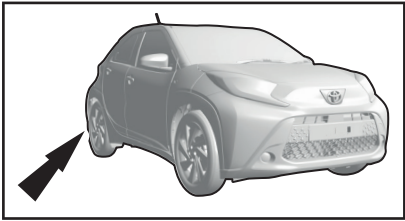


15

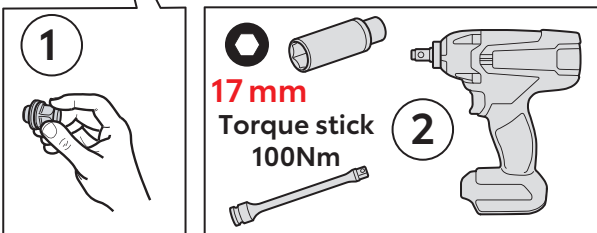
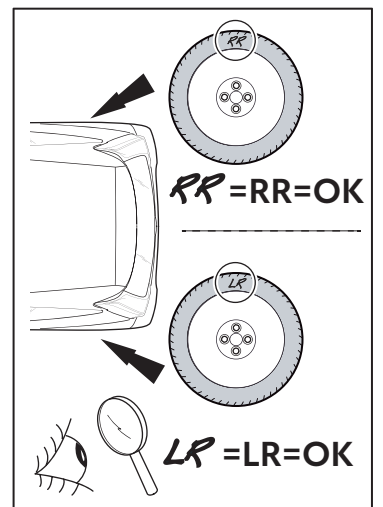
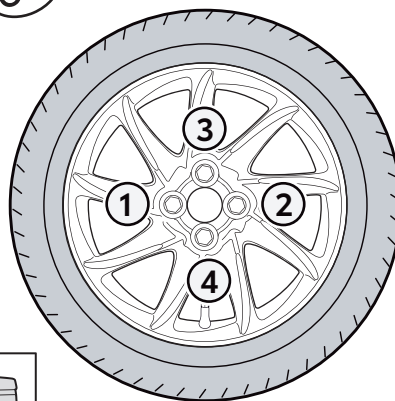
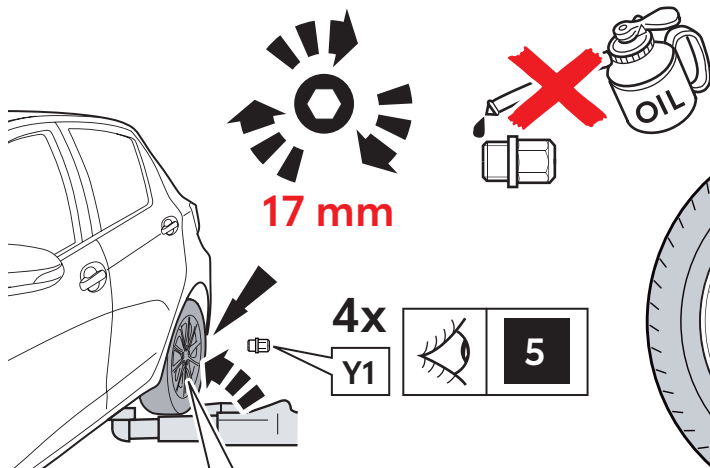


<p>0 mm</p> <p>1x </p> <p>Y2 </p> <p>2</p> <p>10 mm </p>	<p>180°</p> <p>3</p> <p>10 mm </p>
1x	

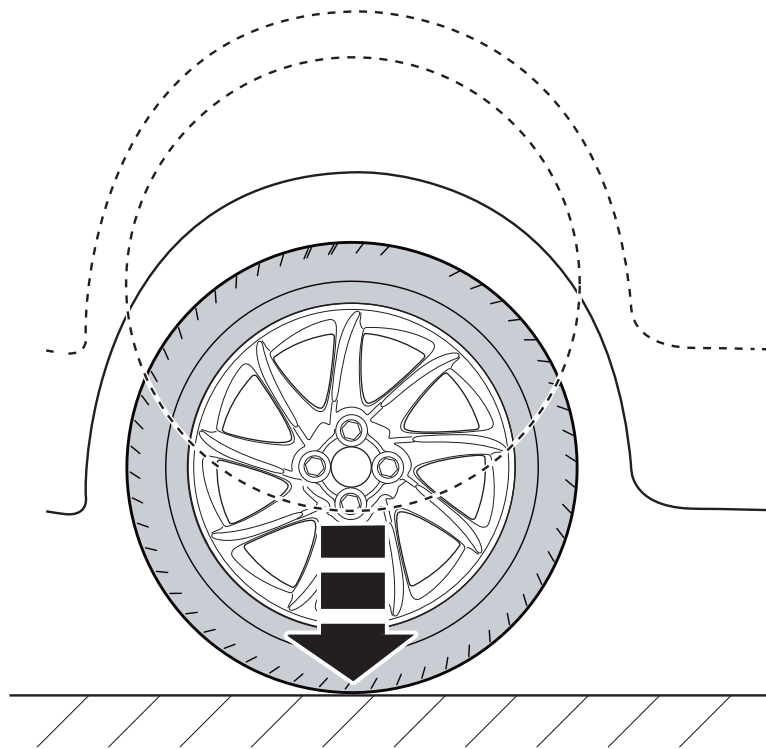
16



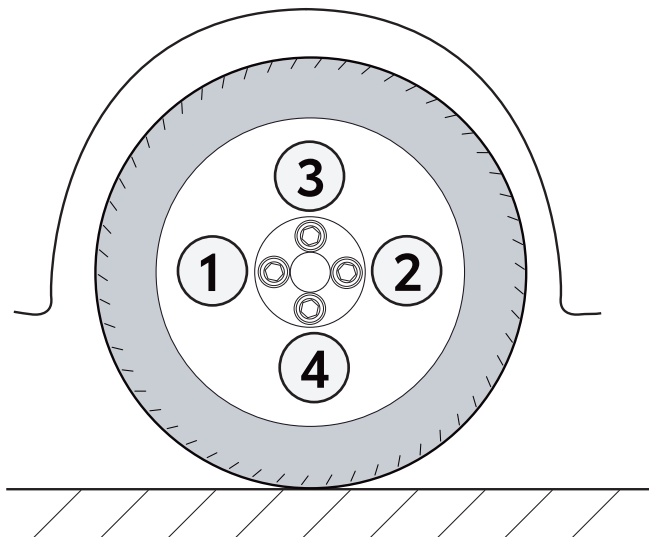
17



18



19



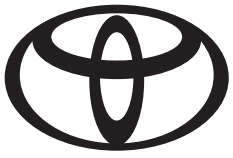
WHEEL TORQUE VALUES

Latest Version
SCAN HERE



?? Nm
AIM 004 425-*

20



CHECK SHEET

Page 1 of 2


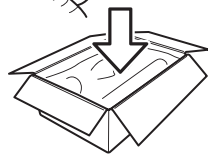
Model/Year **AYGO X**
As from 2022/03

Mudflaps -
Front & Rear Set


VINn°

DURING INSTALLATION


1

P/N = OK



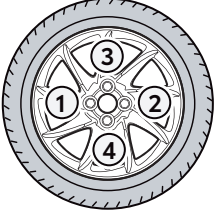
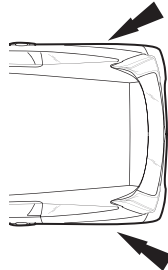



=A



=B



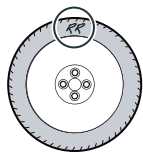
2


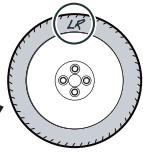
Serial Number

A B

3

RR = RR = OK

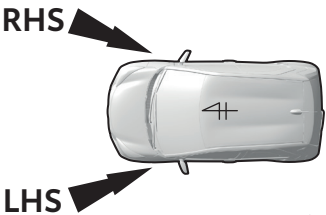


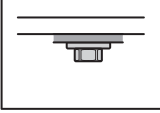
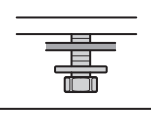
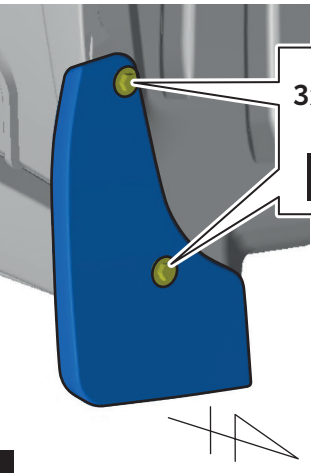
LR = LR = OK


A

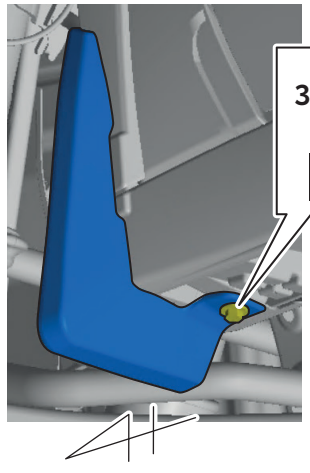
B


AFTER INSTALLATION

1

3x  B



3x  B

LHS RHS

AFTER INSTALLATION

2

RHS

LHS

0mm

1,5mm

0mm

= OK

LHS

RHS

3

RHS

LHS

0mm

1,5mm

= OK

LHS

RHS

4

RHS

LHS

✓

✗

1x

Y2

2x

D

1x

Y2

2x

D

1x

Y2

= OK

LHS

RHS

5

= OK

Installation Date:

.. / .. / ..

Technician Name & Signature:

Stamp: