



Toyota C-HR

Mudflaps - Front & Rear Set

Installation Instructions

Model year: As from 2023/10

Vehicle code: ZYX20*-AHX*BW
MAXH2**-AHX*BW

Part number: PW389-10100

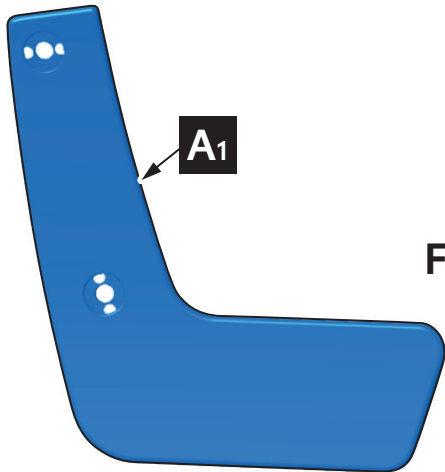
Manual reference number: AIM 005 402-0

Latest Version
SCAN HERE



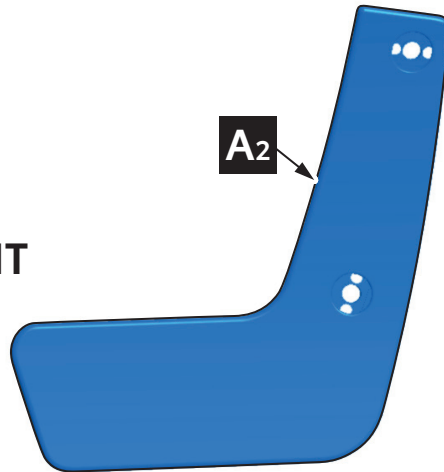
Revision Record

Rev. No.	Date	Page	Step	Remarks



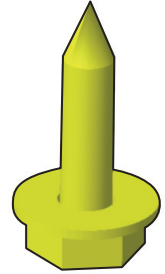
A1

FRONT



A2

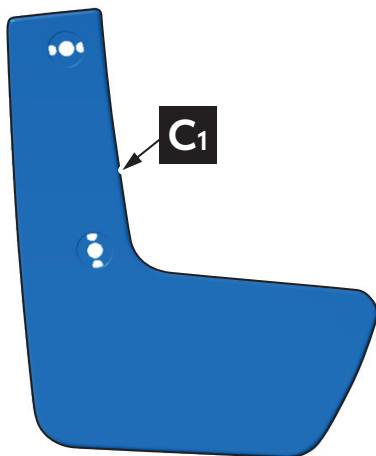
90159-60623



A LHS 1x

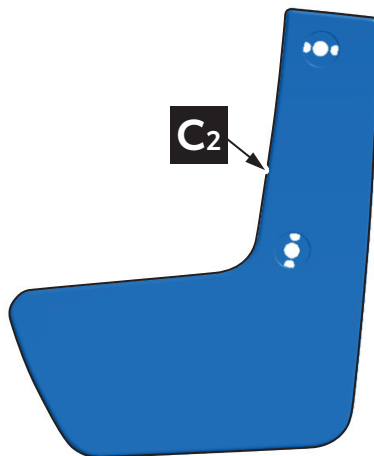
RHS 1x

B 8x



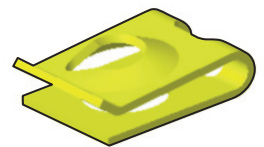
C1

REAR



C2

90183-05040



C LHS 1x

RHS 1x

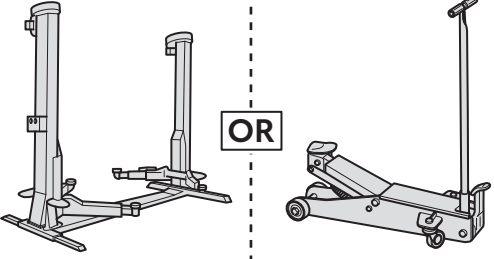
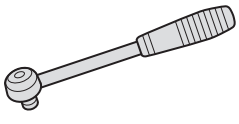
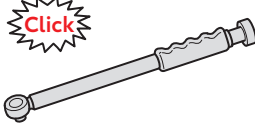
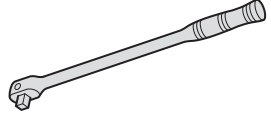
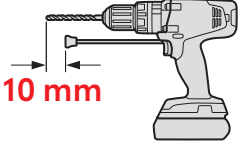
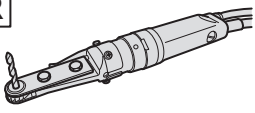


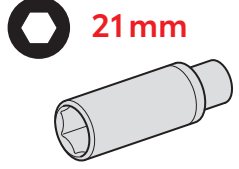
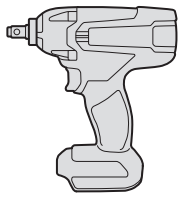
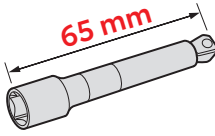
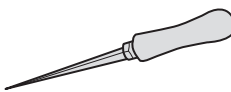
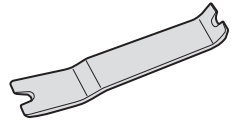
D 8x

90467-07220







E 2x

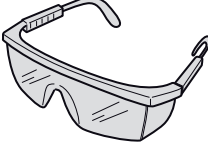
TOOLS

				
<p>Cobalt Drill bits Ø3 mm Ø6 mm</p>	<p>Cobalt Drill bits Ø3 mm Ø6 mm</p>	<p>COBALT DRILL BIT</p>		
				
<p>Torque stick 100Nm</p>				

CONSUMABLES

<p>CLEANER / DEGREASER SPRAY</p>				
				
 <p>AIM 003 516-*</p>				

PERSONAL PROTECTION EQUIPMENT

				
---	--	--	--	--

For Symbols
Explanation
SCAN HERE





Material Safety Data Sheet

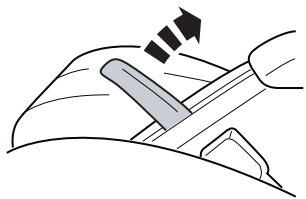


Technical Data Sheet

INSTALLATION INSTRUCTIONS

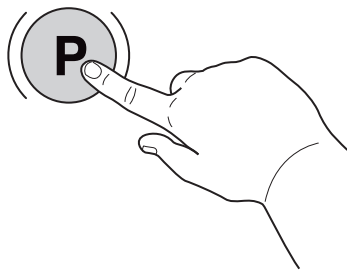
ALTERNATE METHOD

➔ 1



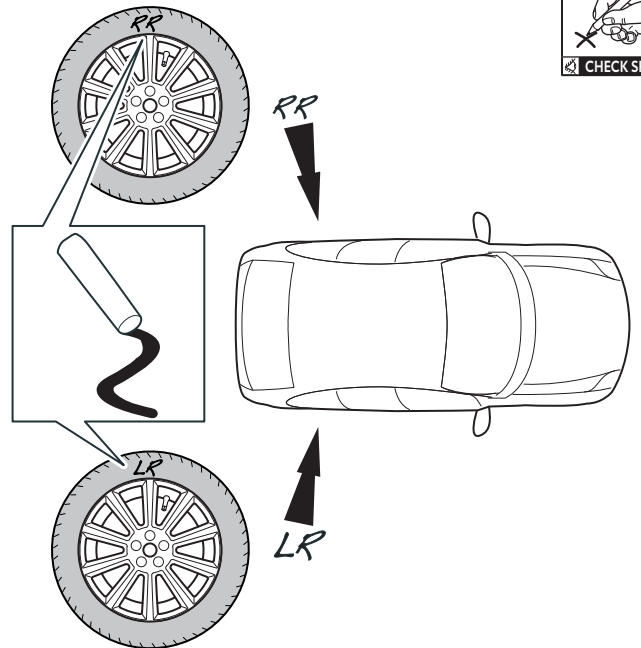
STANDARD METHOD

➔ 5

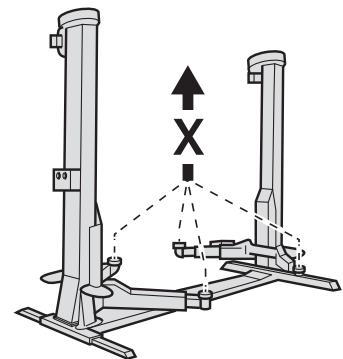
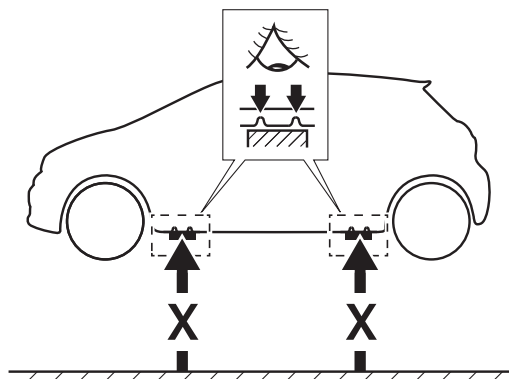
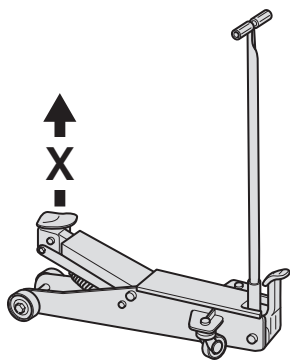


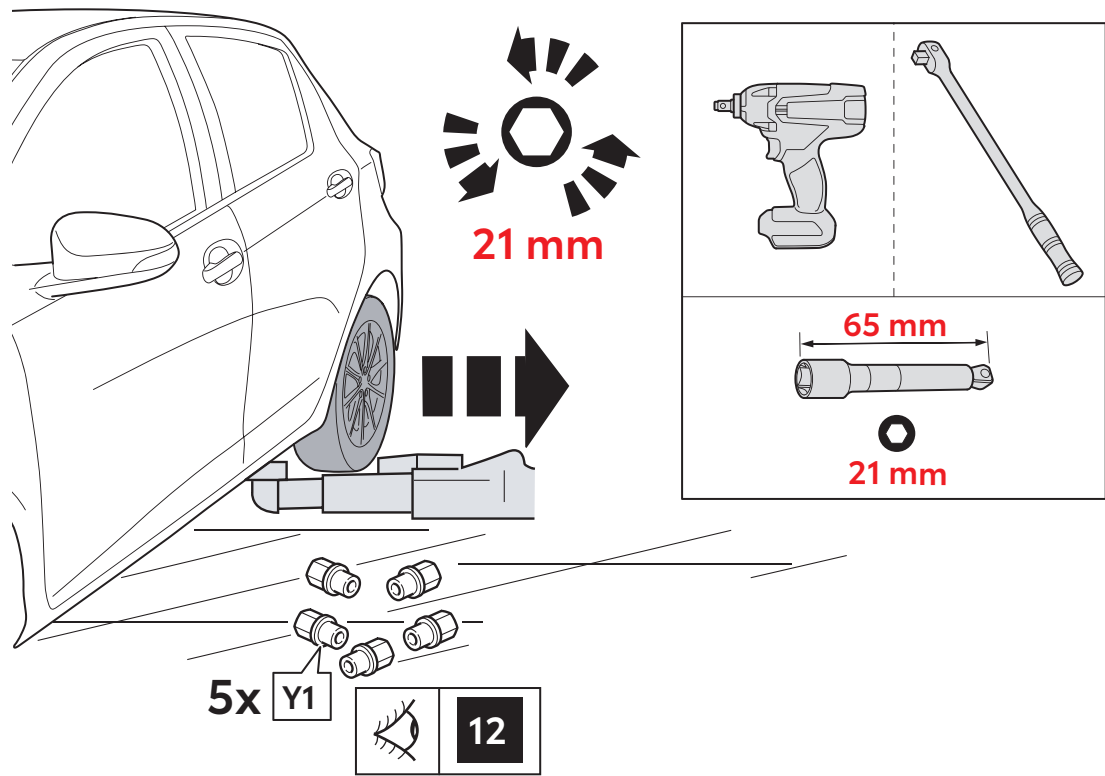
1

2

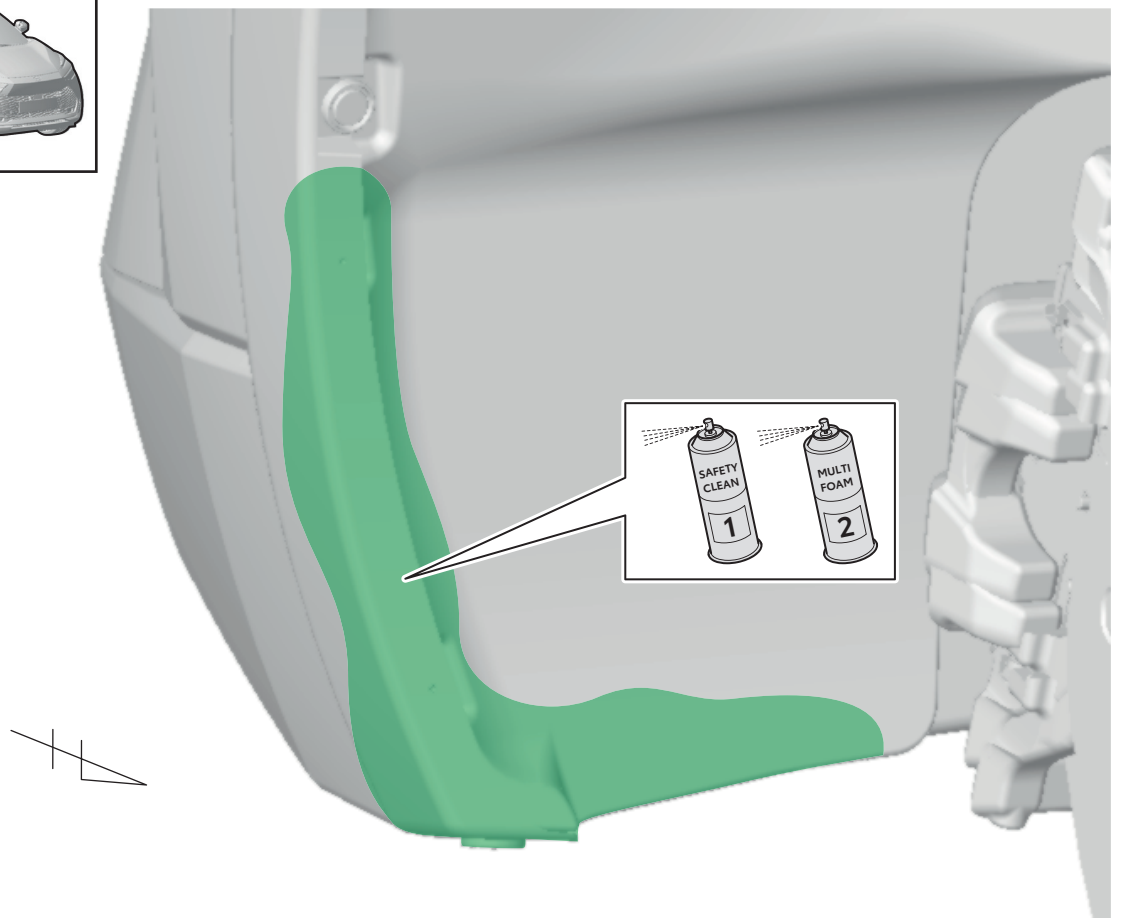
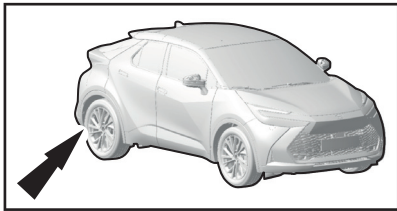


3

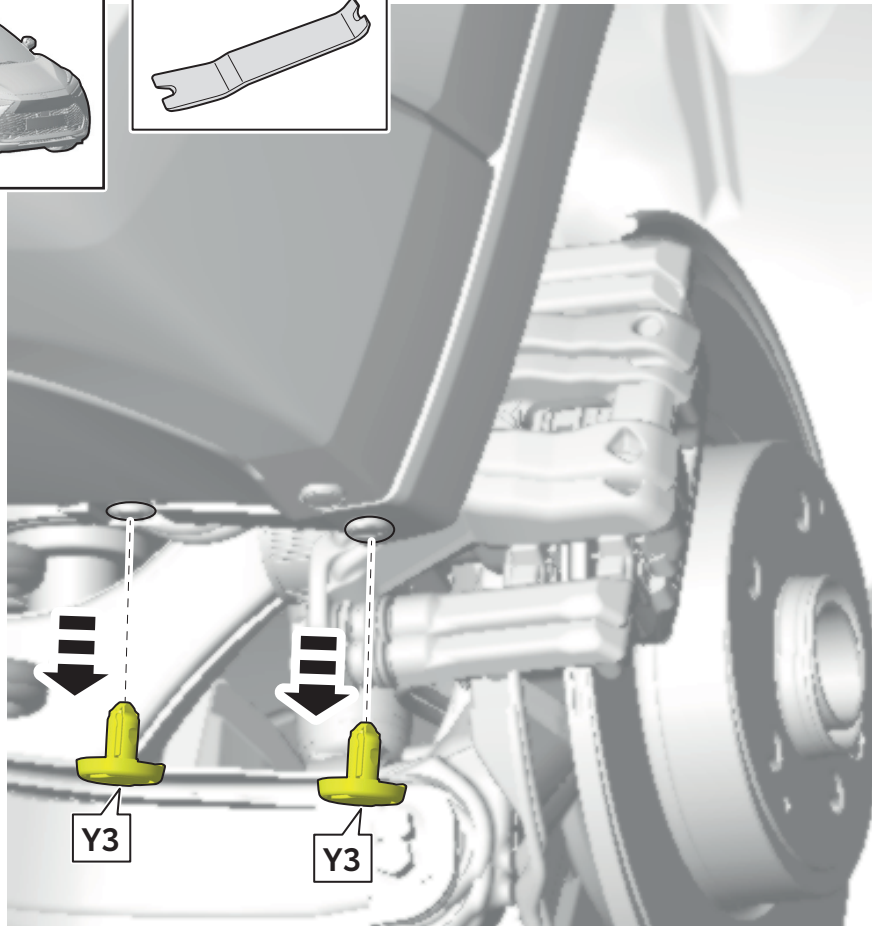
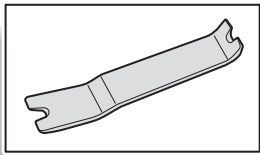
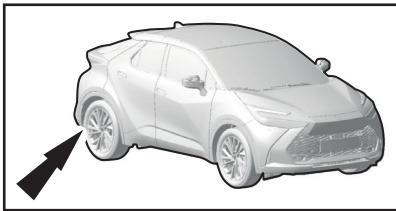




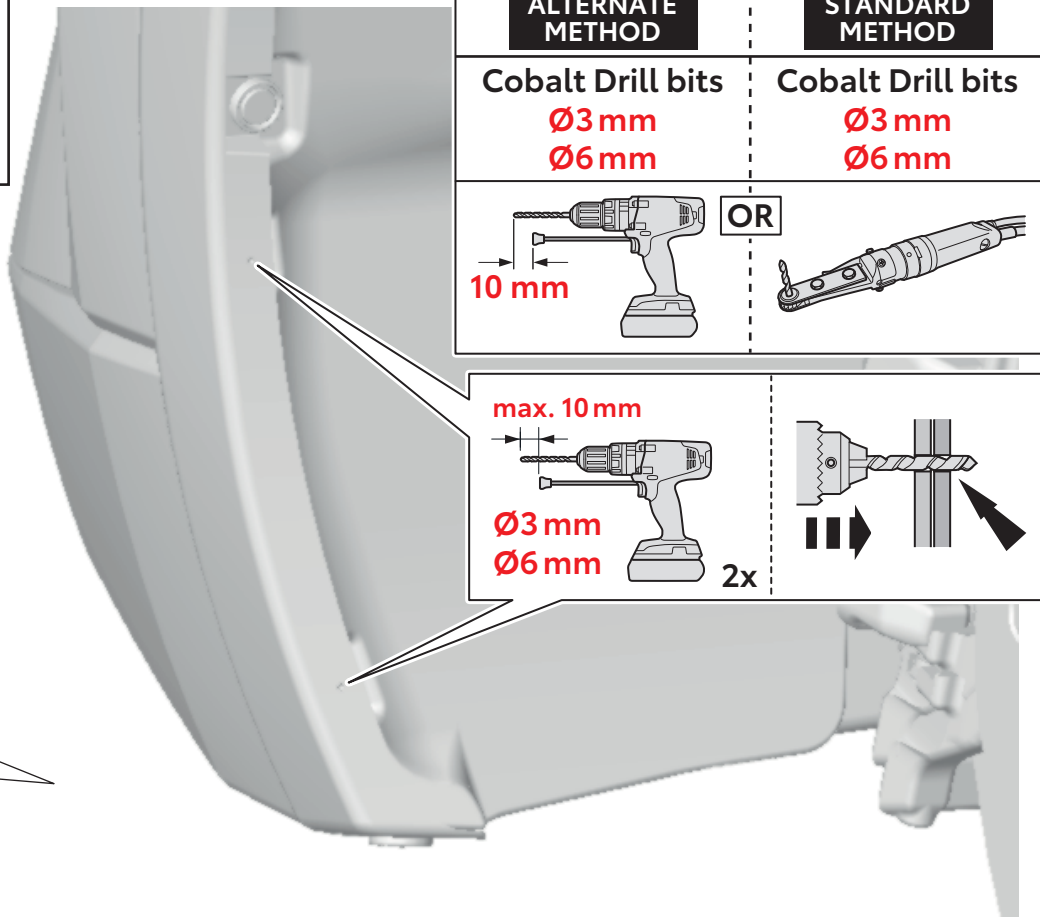
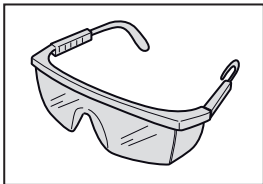
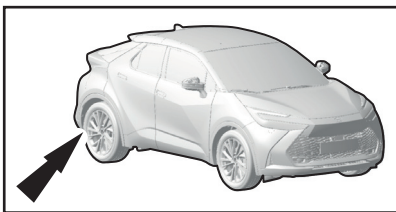
4



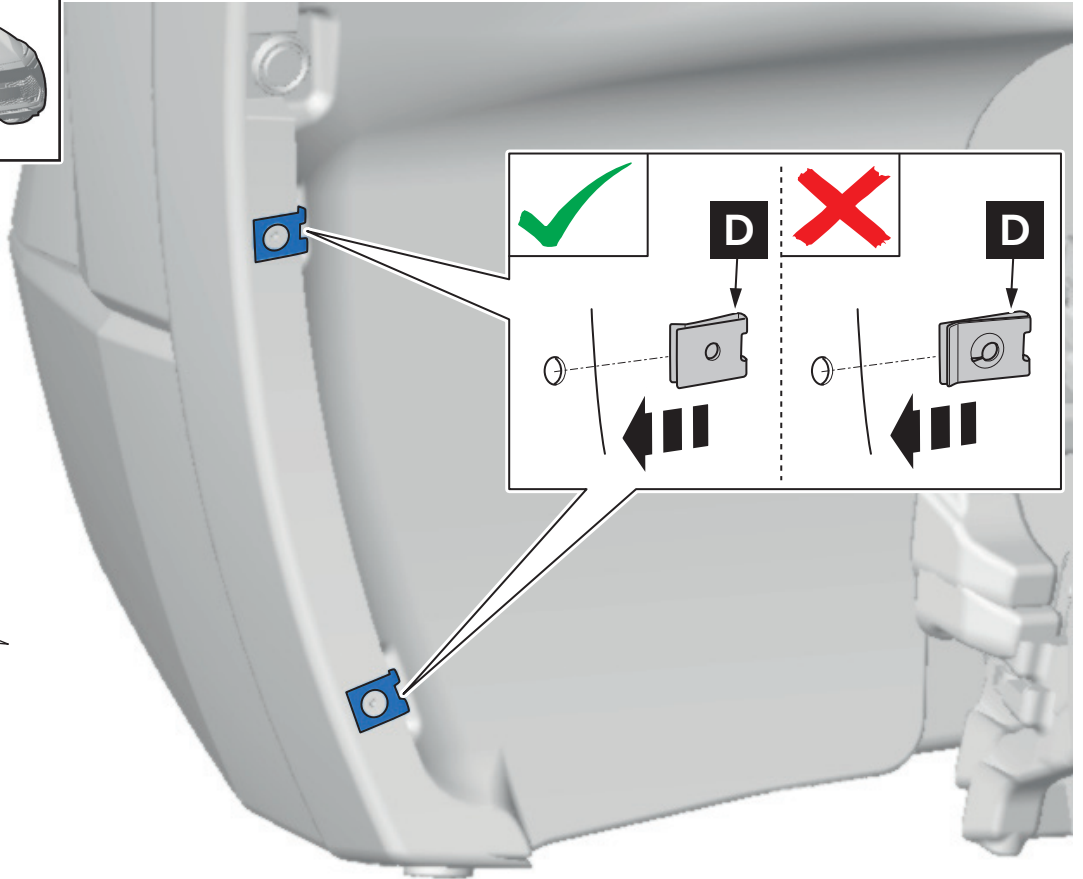
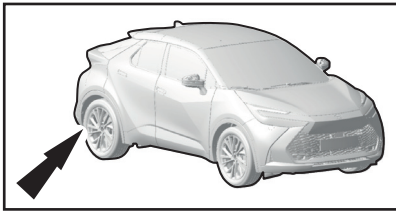
5



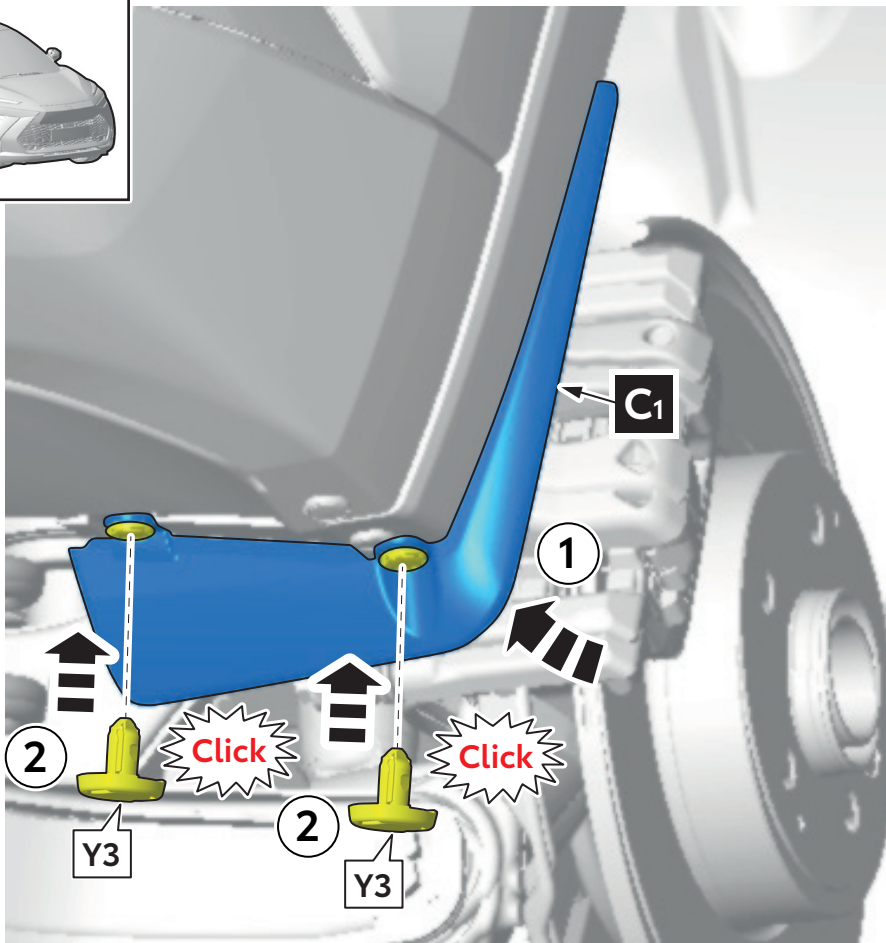
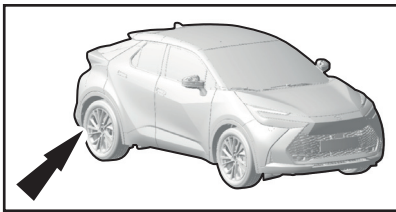
6



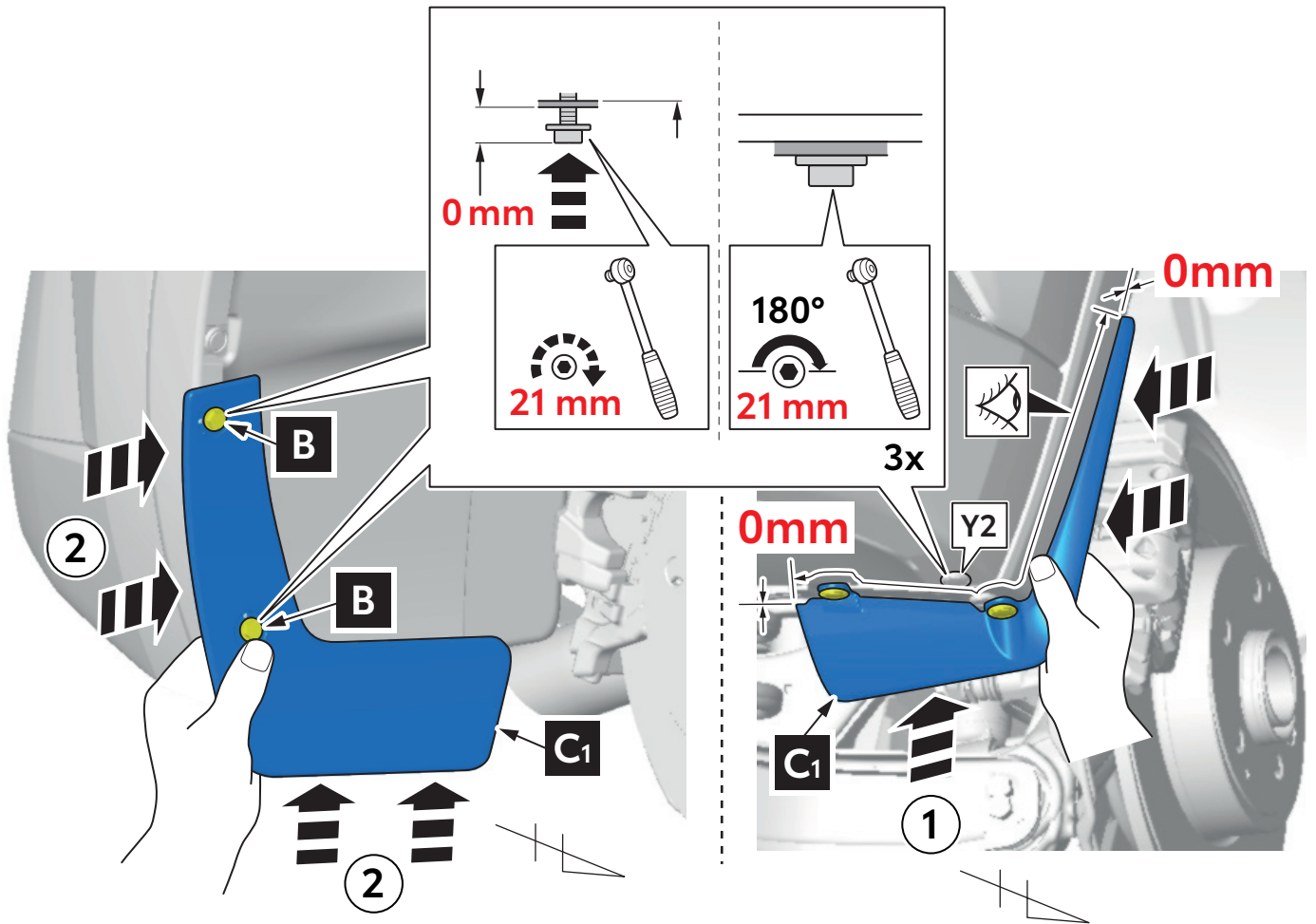
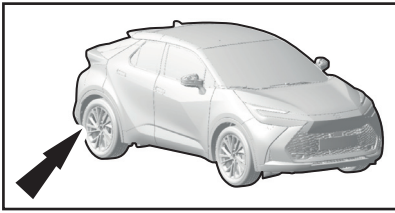
7

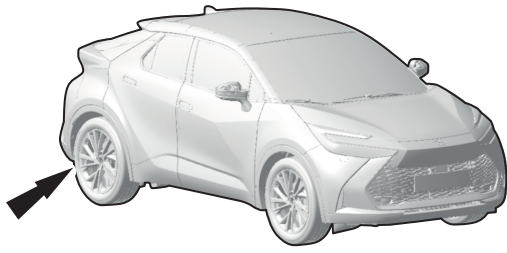


8



9

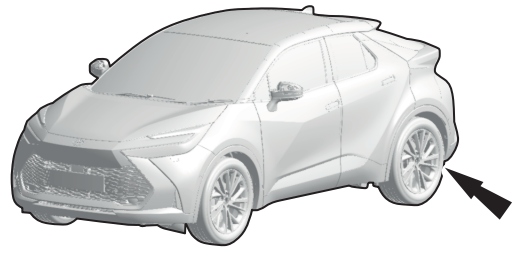




	5 → 10
--	----------------------

RHS

=



	5 → 10
--	----------------------

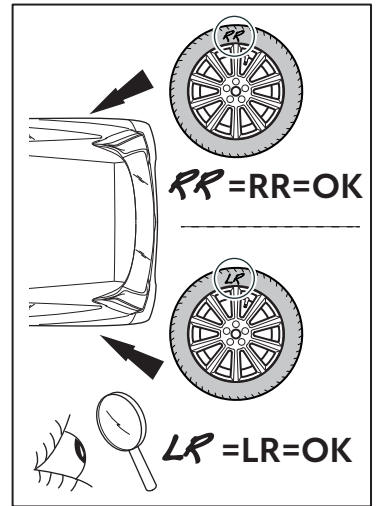
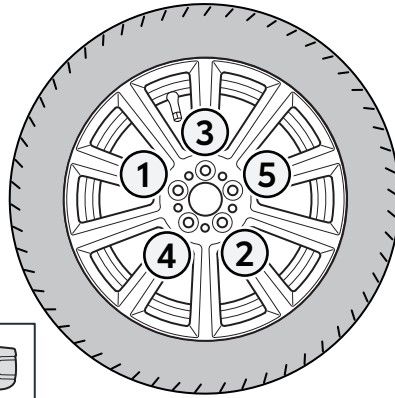
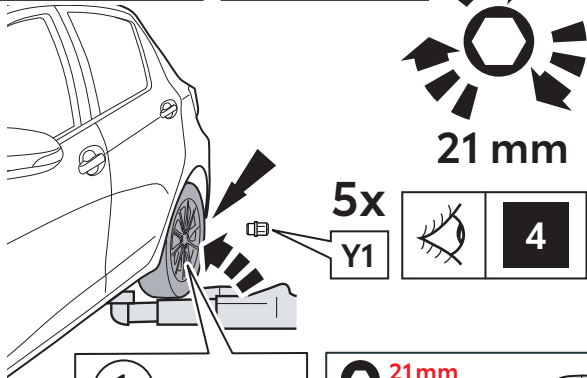
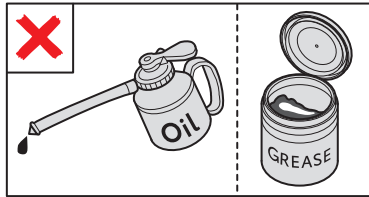
LHS

ALTERNATE METHOD

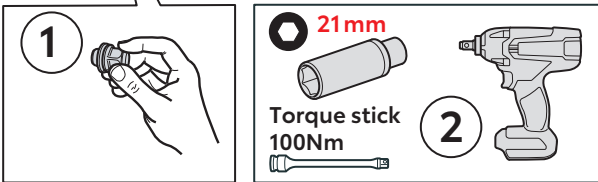
→ **11**

STANDARD METHOD

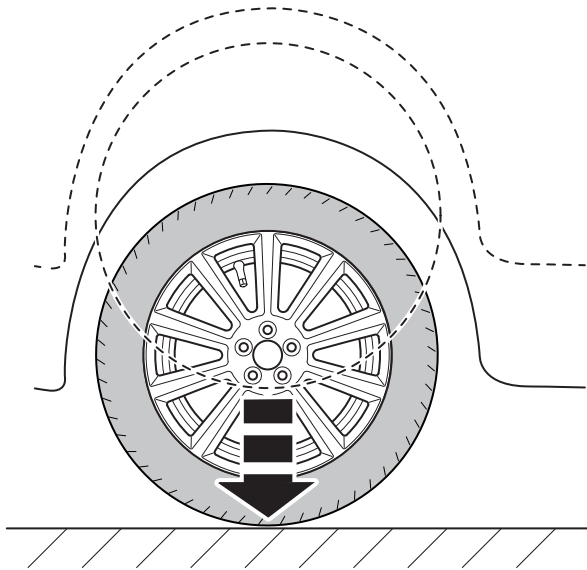
→ **14**



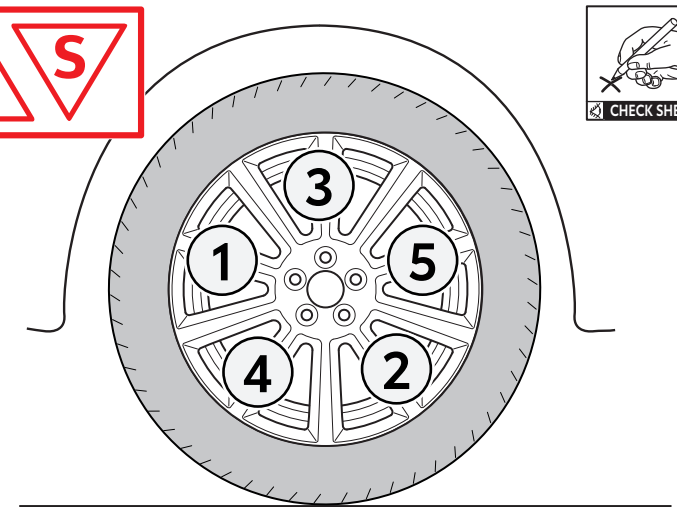
11



12

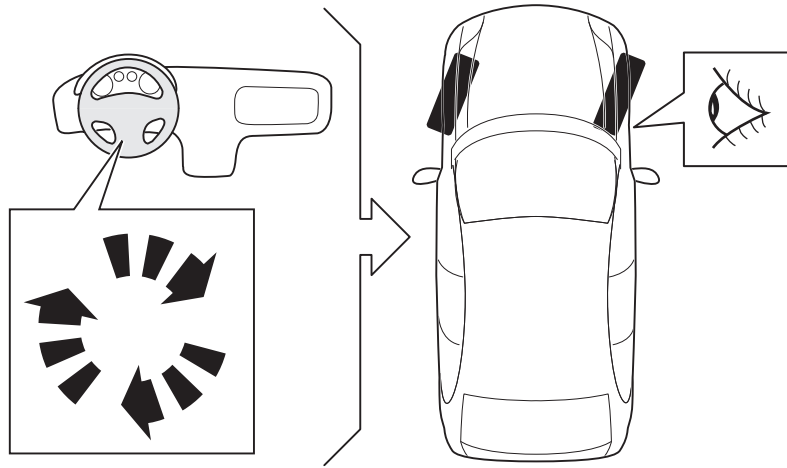


13

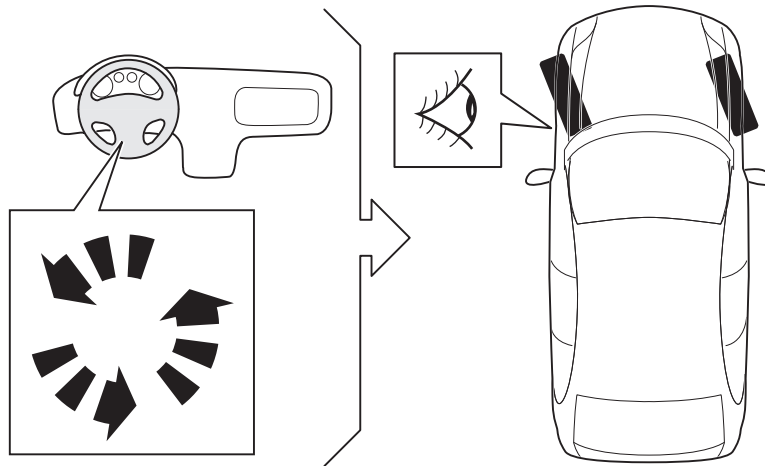


	?? Nm AIM 004 425-*
--	--------------------------------------

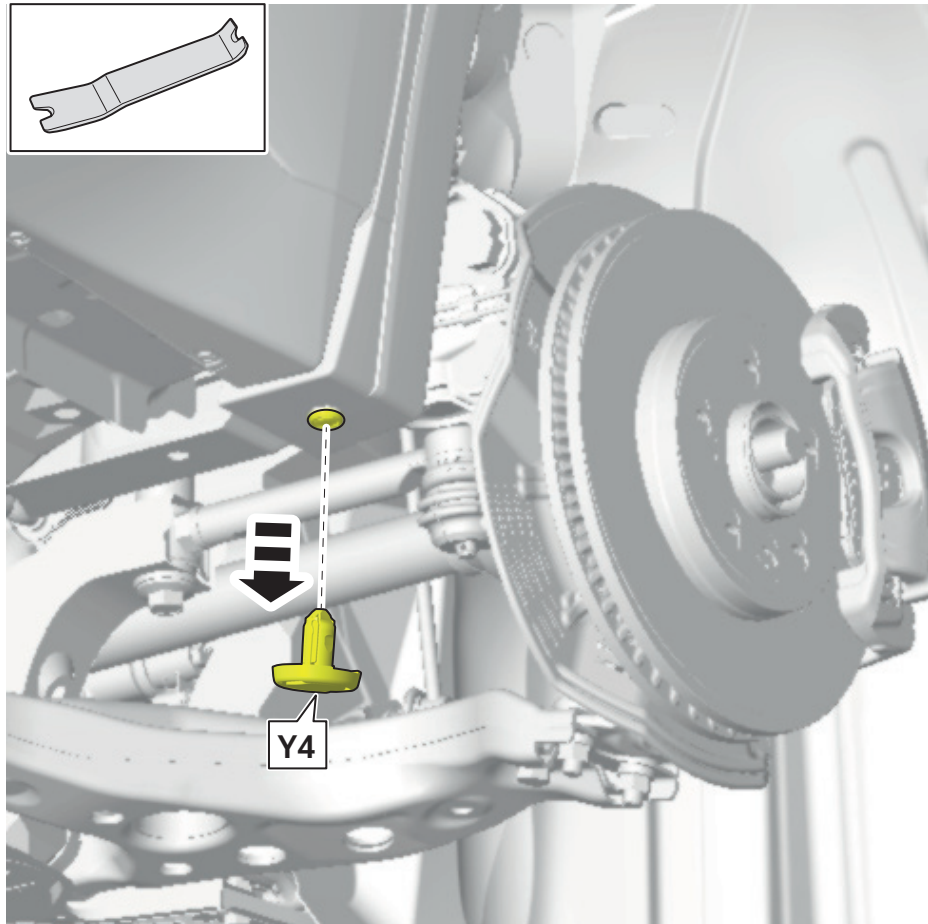
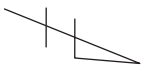
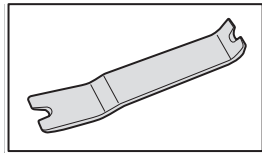
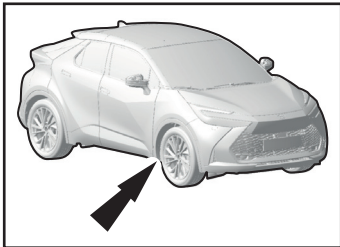
RHS



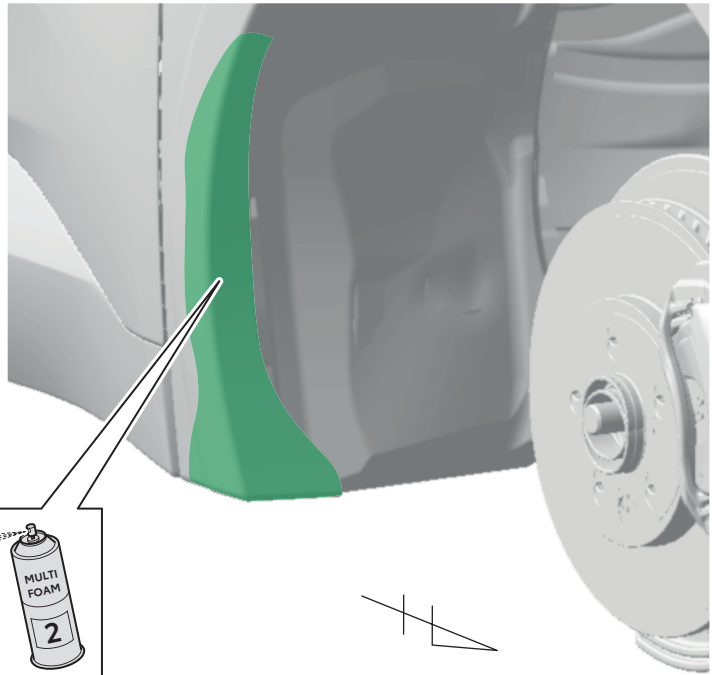
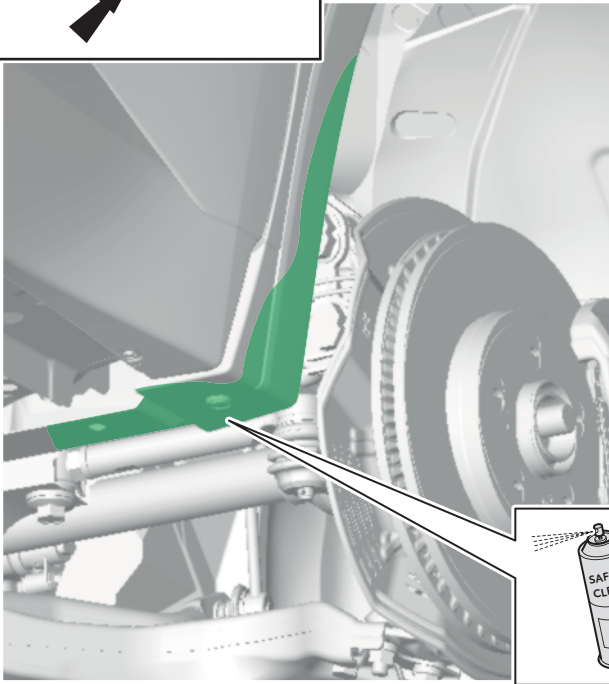
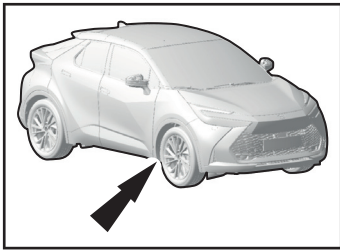
LHS



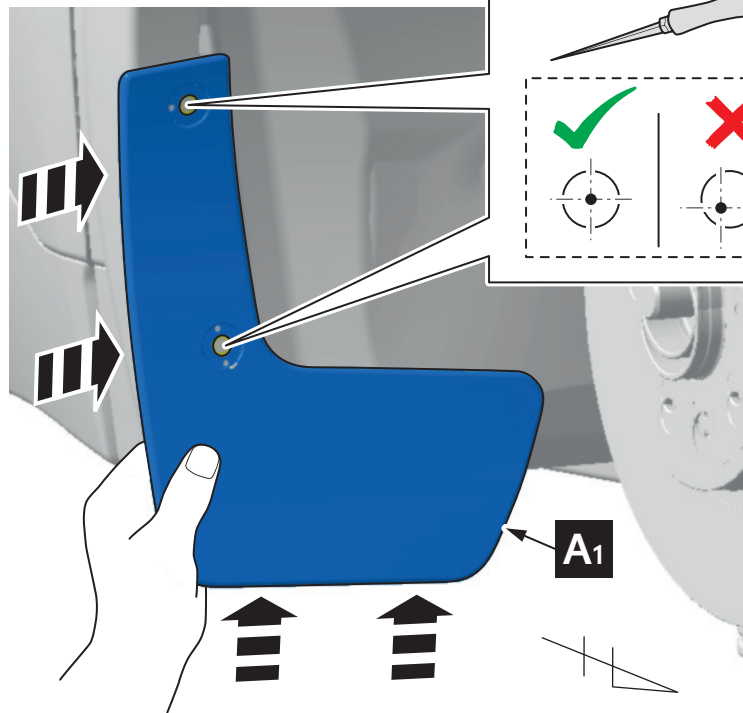
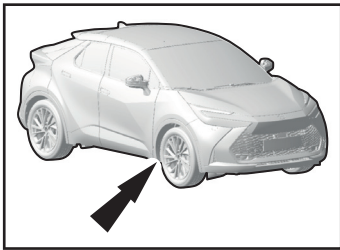
14



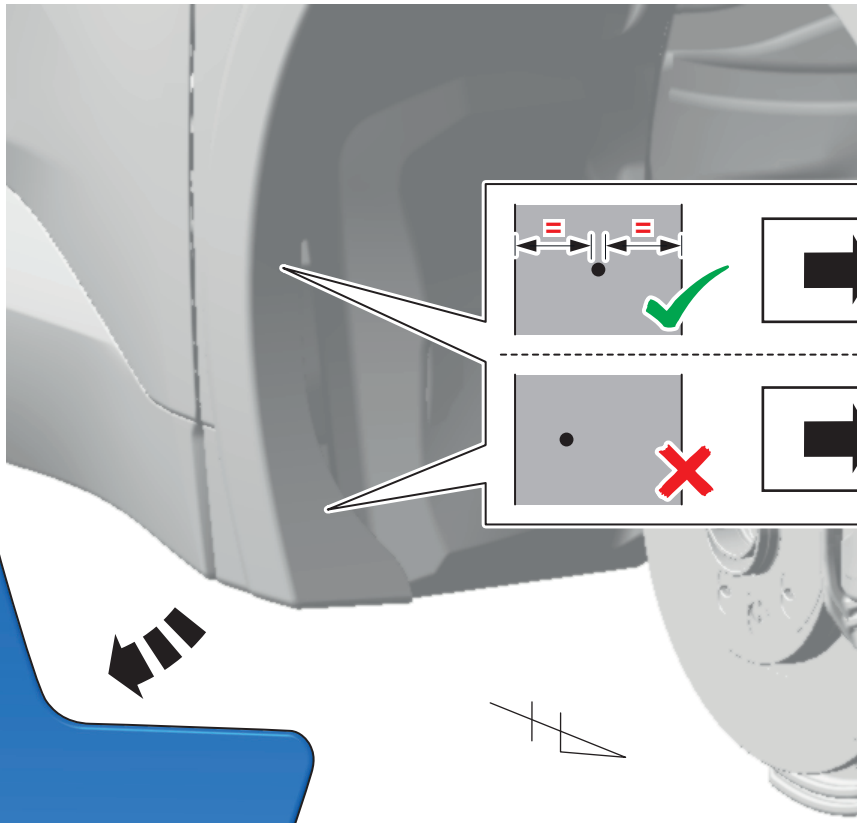
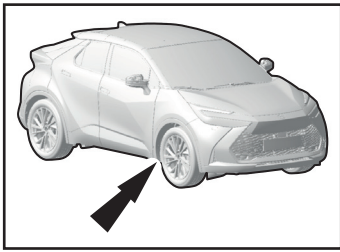
15

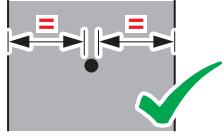





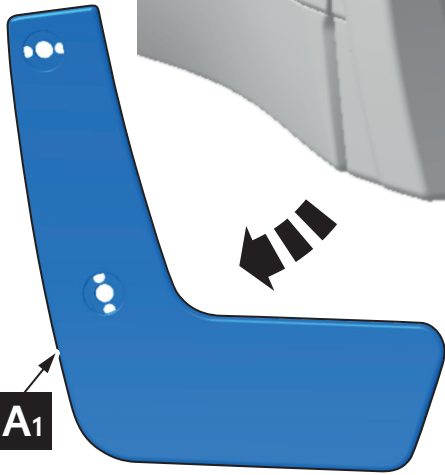
16



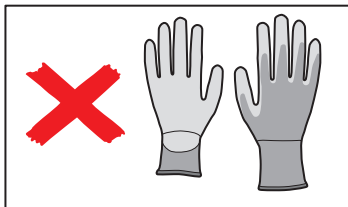
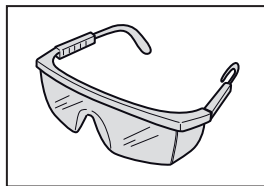
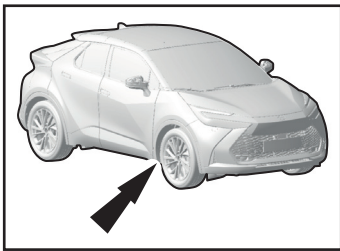
17

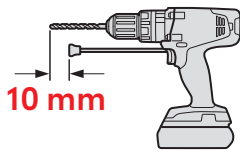
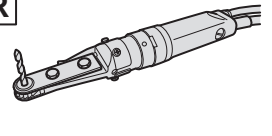


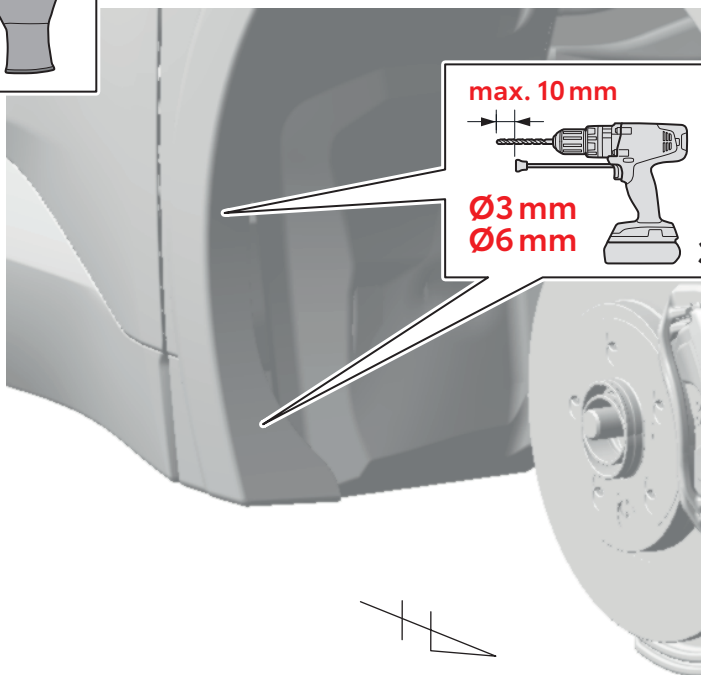
	 19
	 17

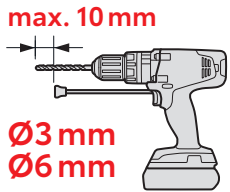
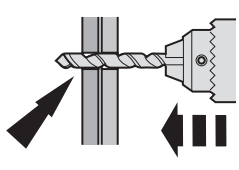


18

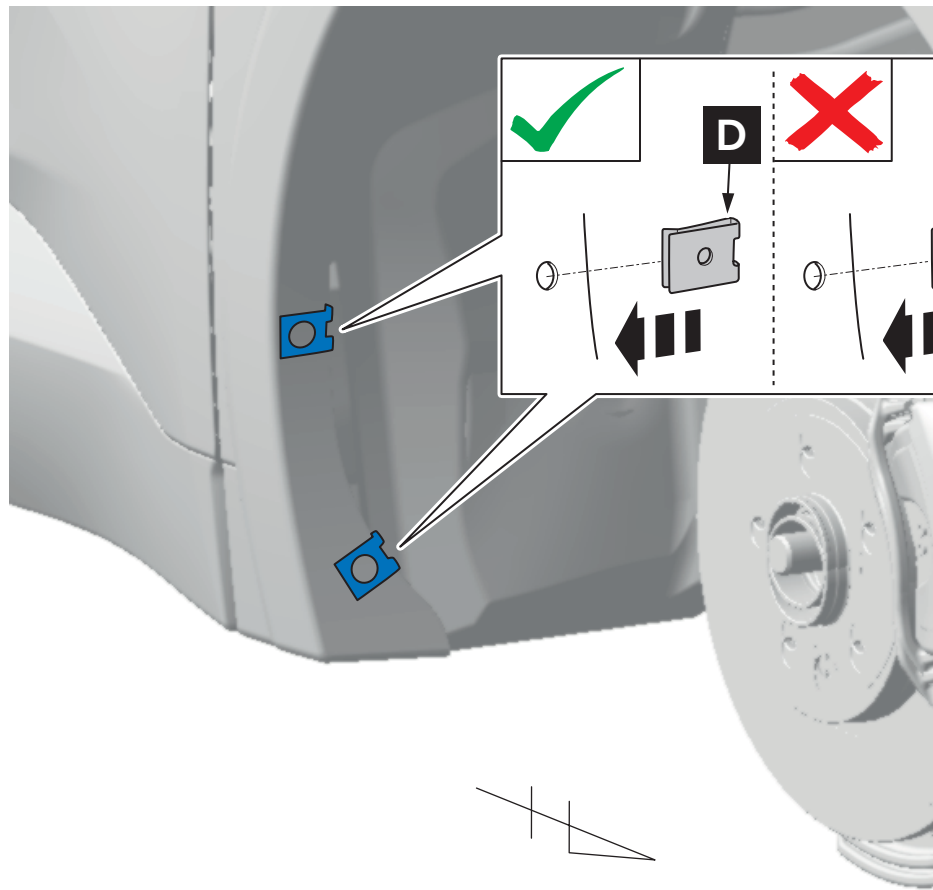
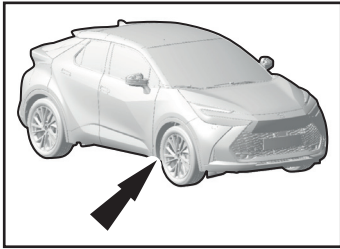


ALTERNATE METHOD	STANDARD METHOD
Cobalt Drill bits Ø3 mm Ø6 mm	Cobalt Drill bits Ø3 mm Ø6 mm
 10 mm	OR 

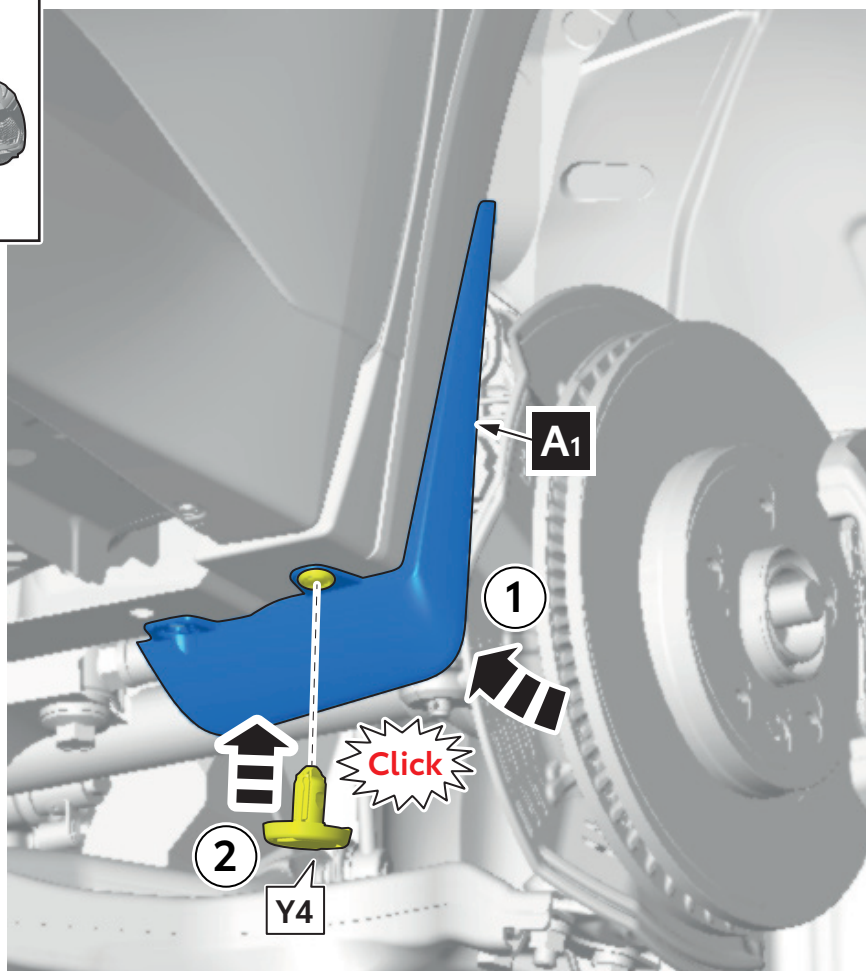
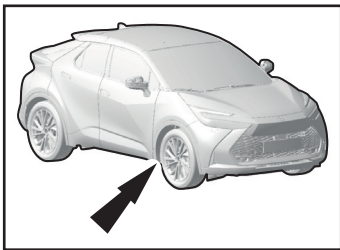


 max. 10 mm Ø3 mm Ø6 mm 3x	
--	---

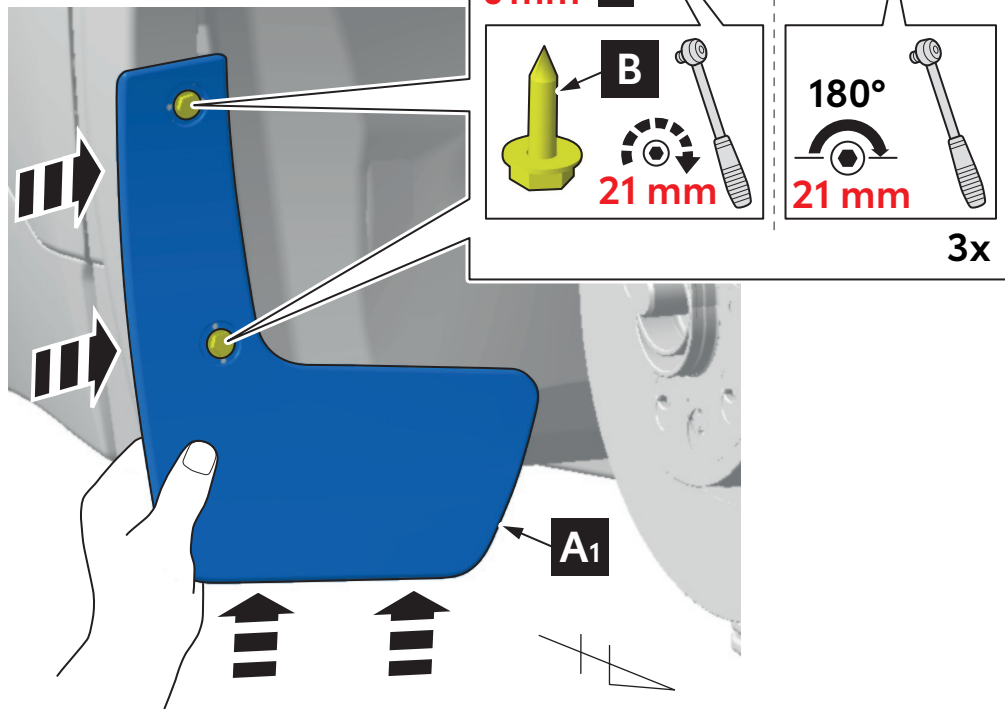
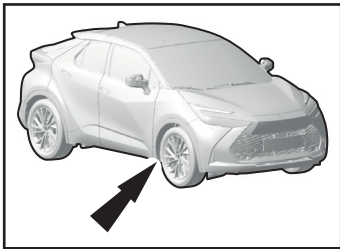
19



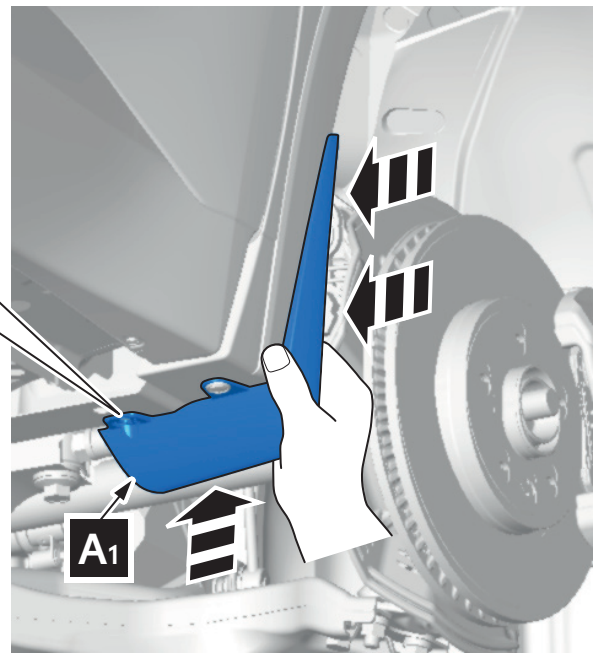
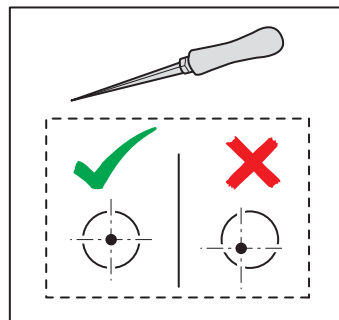
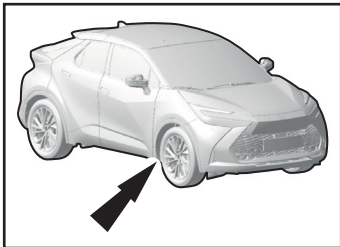
20



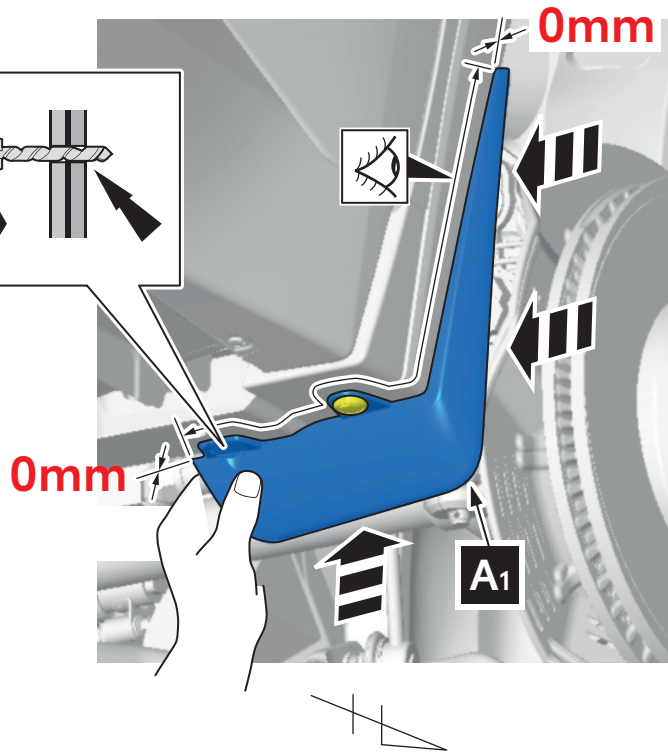
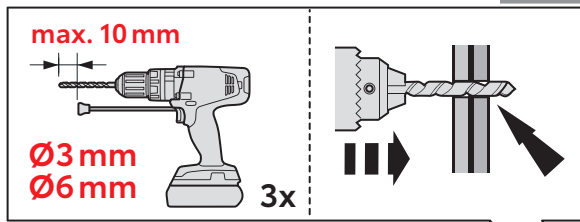
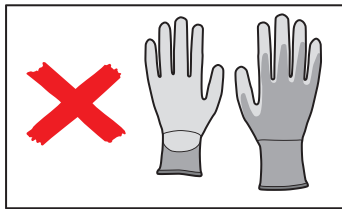
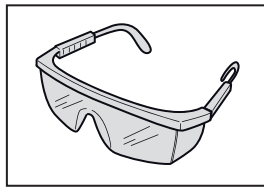
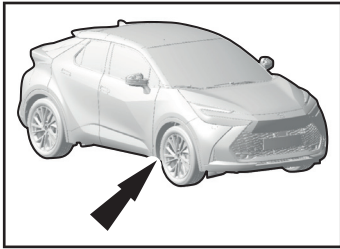
21



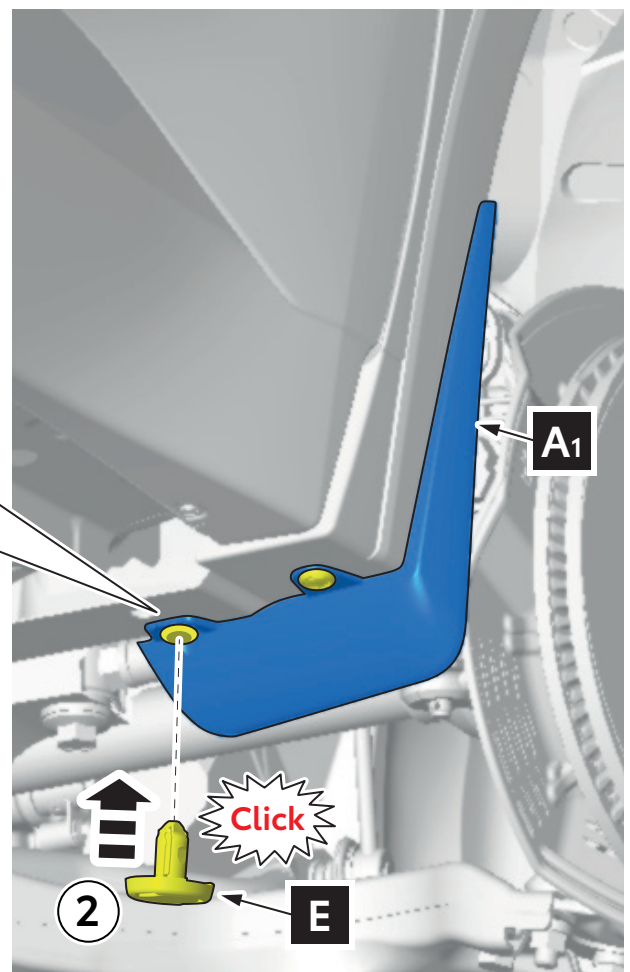
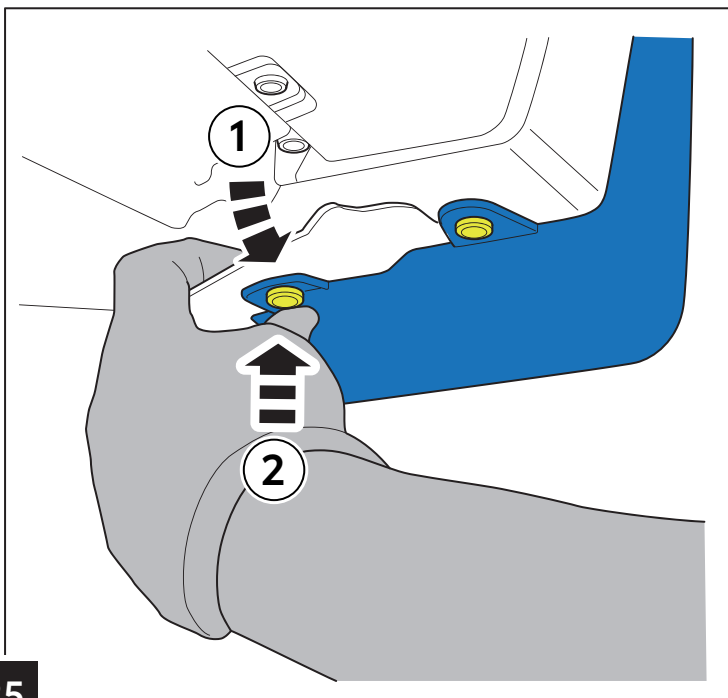
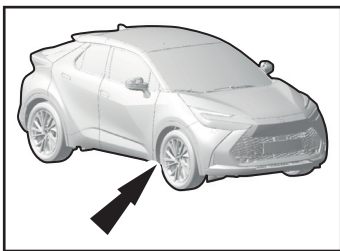
22



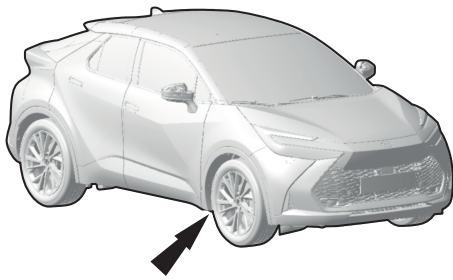
23



24

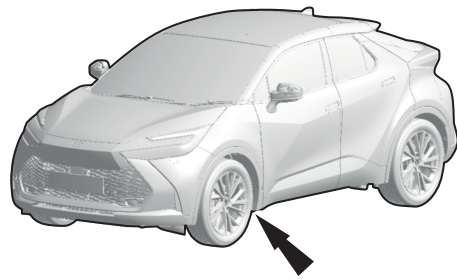


25

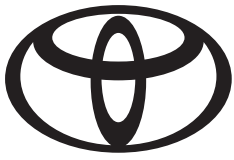


RHS

=



LHS



CHECK SHEET



Page 1 of 3


Model/Year **Toyota C-HR**
As from 2023/10



Mudflaps -
Front & Rear Set


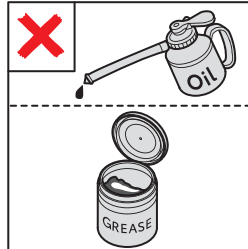
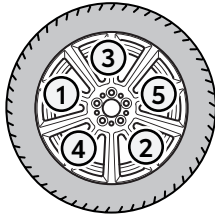

VINn°


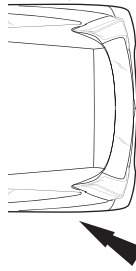

DURING INSTALLATION

1  = OK

P/N = OK

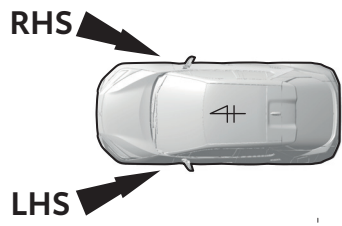
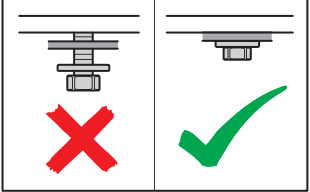
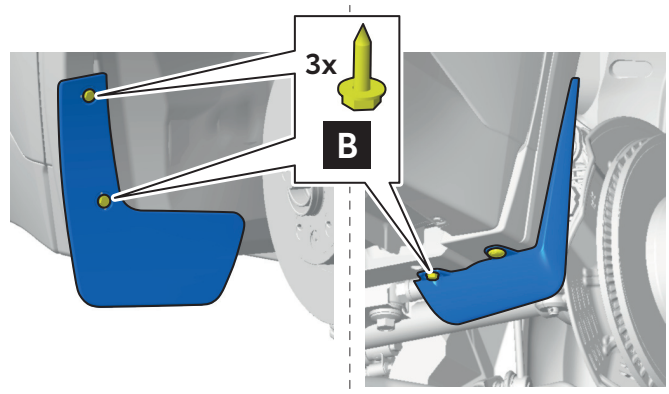

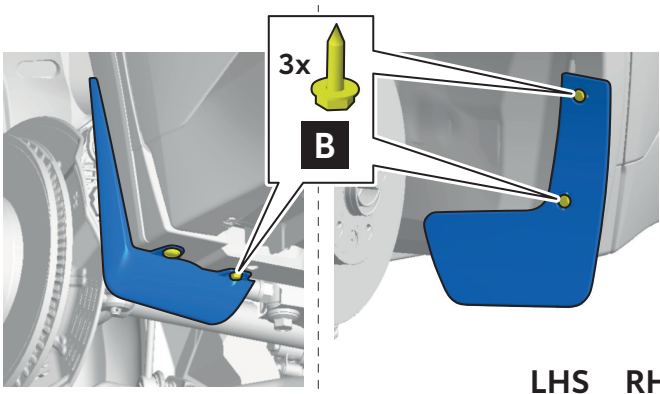

2 
Serial Number

 = **A**
 = **B**

3 



?? Nm
AIM 004 425-*
A **B**

4 

RR = RR = OK

LR = LR = OK
A
B

AFTER INSTALLATION

1 


3x  **B**

3x  **B**
LHS **RHS**

AFTER INSTALLATION

2

RHS

LHS

0mm

0mm

= OK

LHS RHS

3

RHS

LHS

0mm

0mm

= OK

LHS RHS

4

RHS

LHS

2x B

1x Y2

2x B

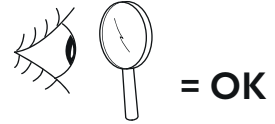
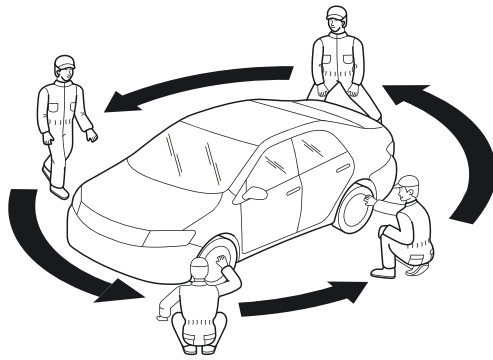
1x Y2

X

✓

LHS RHS

AFTER INSTALLATION



5

Installation Date:

.. / .. /

Technician Name & Signature:

Stamp: