



TOYOTA

ALWAYS A
BETTER WAY

RAV4 RAV4 Plug-in Hybrid

Wind deflectors - full set

Installation Instructions

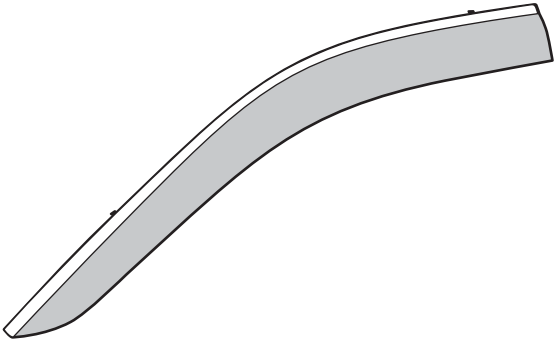
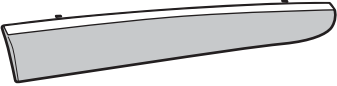
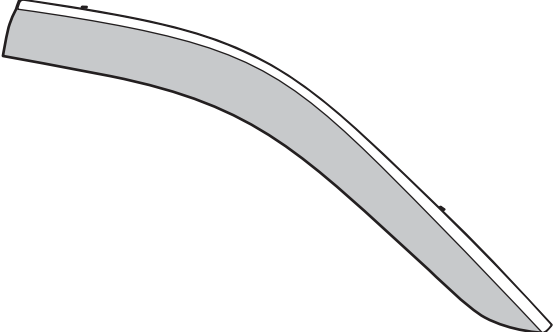
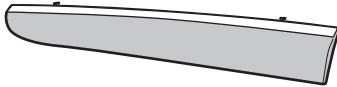
Model year:	As from 2018/11 As from 2020/06 (Plug-in Hybrid)
Vehicle code:	*XA*5**-AN**BW
Part number:	08162-42810

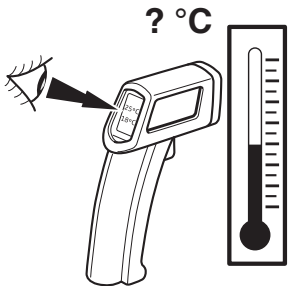
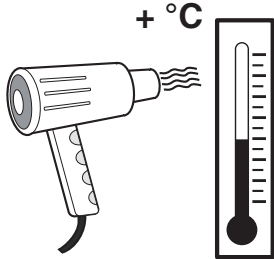
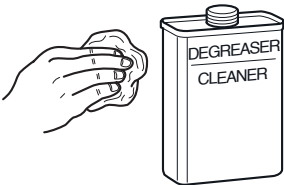

Manual reference number: AIM 004 397-2

Revision record

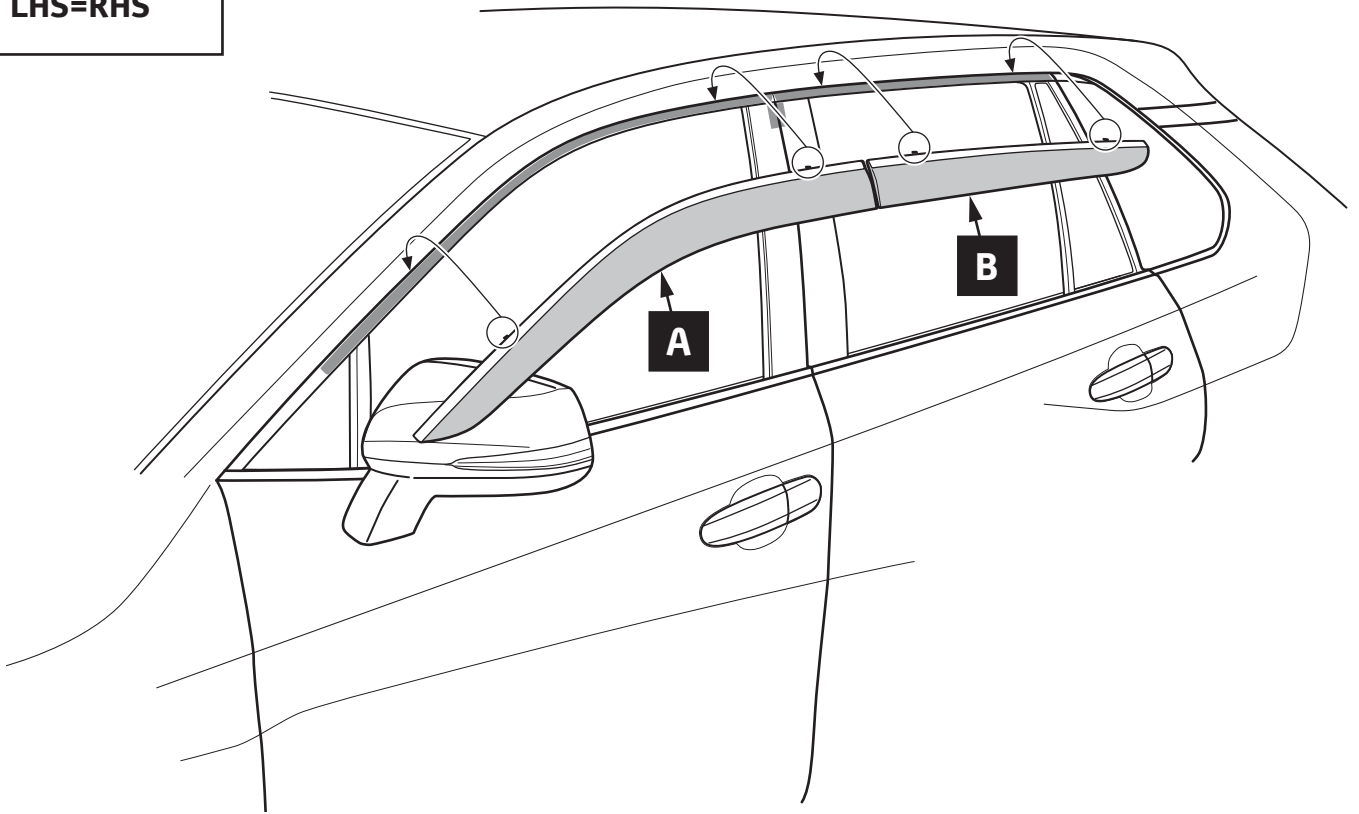
Rev. No.	Date	Page	Picture	Update	New	Deleted steps
1	26.10.2018	1, 2		Part Nr.		
Rev. No.	Date	Page	Step	Remarks		
2	06.02.2020	1, 13		Model year updated.		

08162-42810

<p>A</p>  <p>1x</p>	<p>B</p>  <p>1x</p>
<p>C</p>  <p>1x</p>	<p>D</p>  <p>1x</p>

 <p>? °C</p>	 <p>+ °C</p>
 <p>AIM 003 516-*</p>	

LHS=RHS



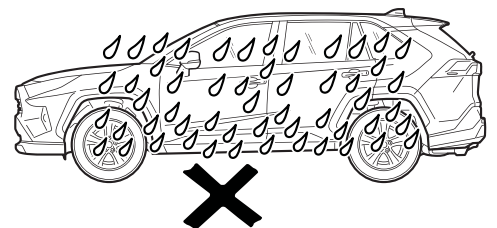
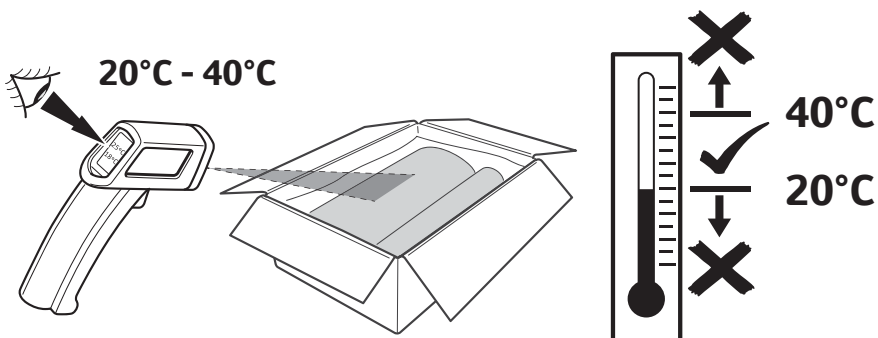
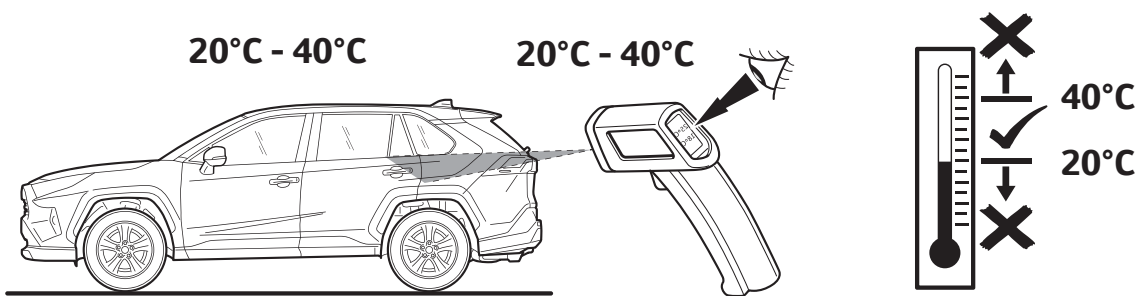
INFO

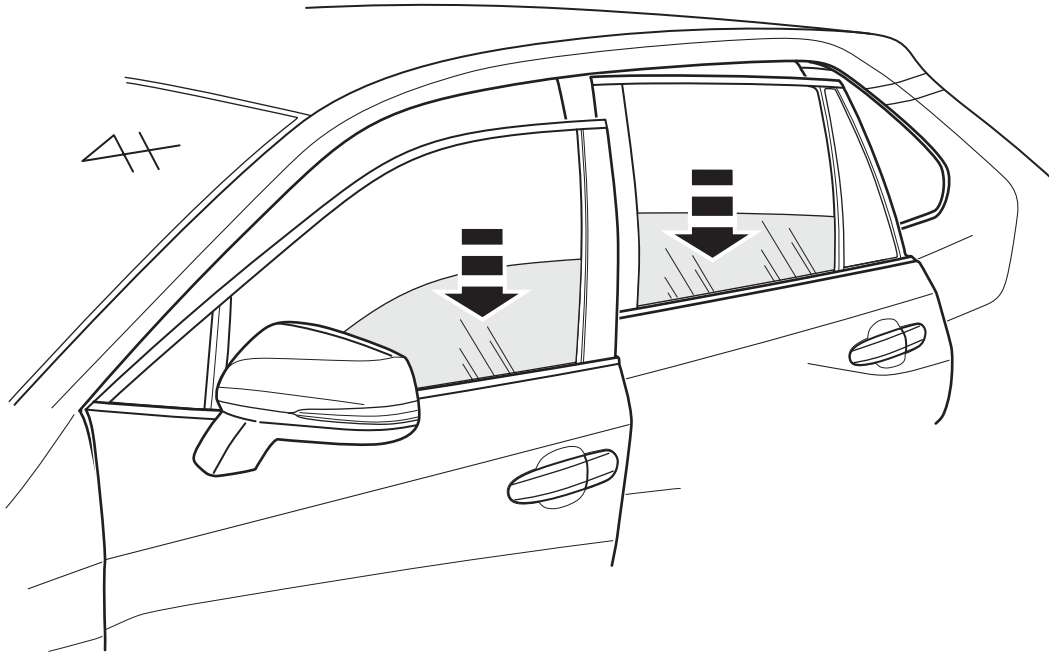


Material Safety Data Sheet

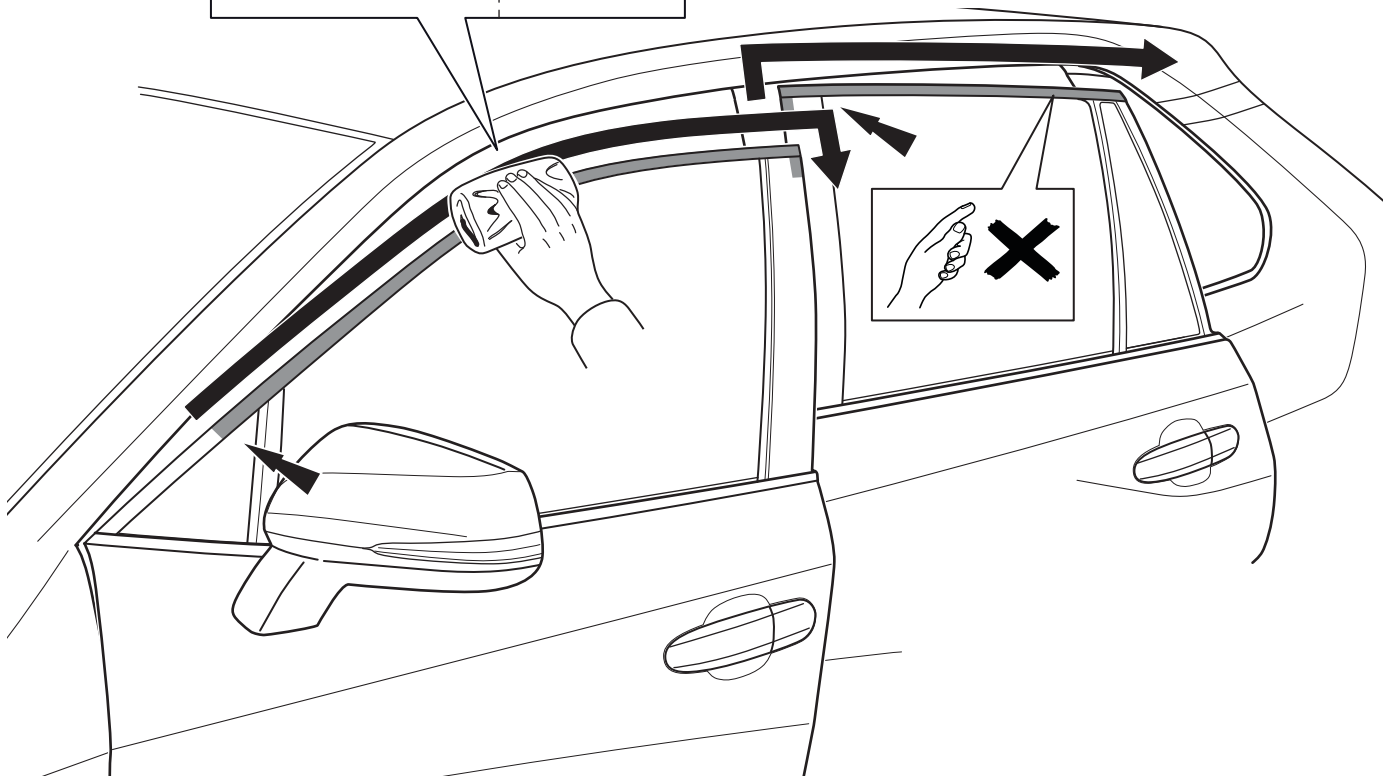


Technical Data Sheet

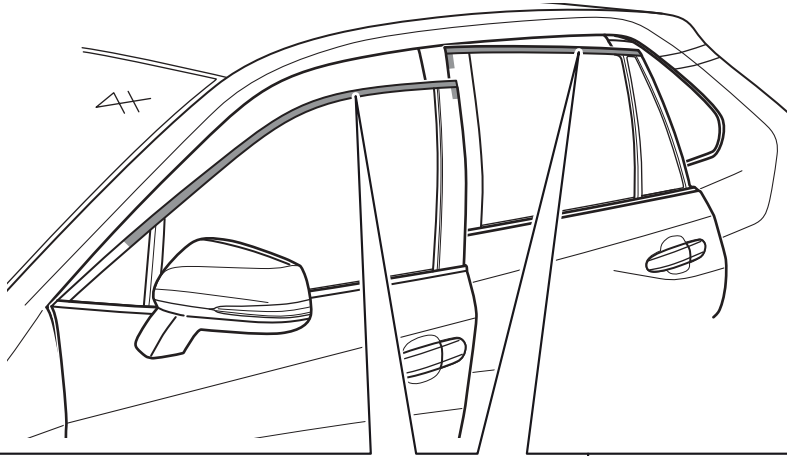




1

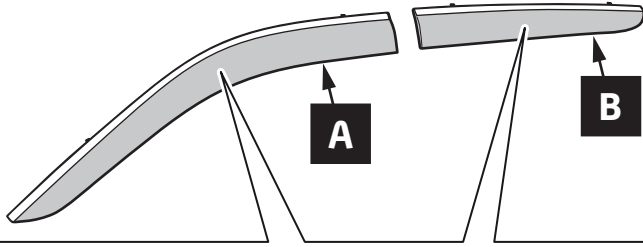


2



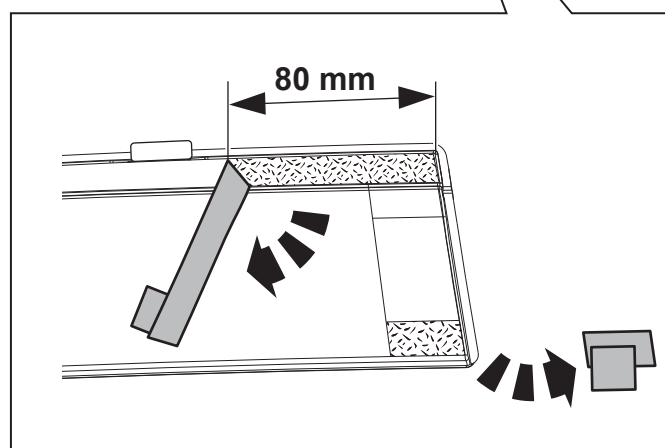
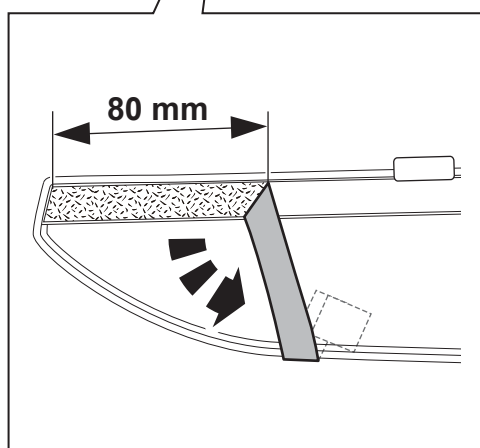
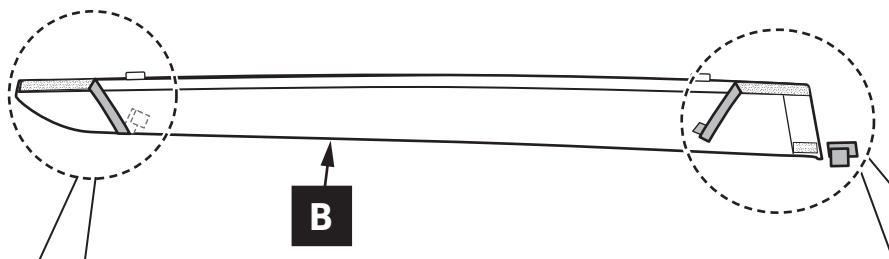
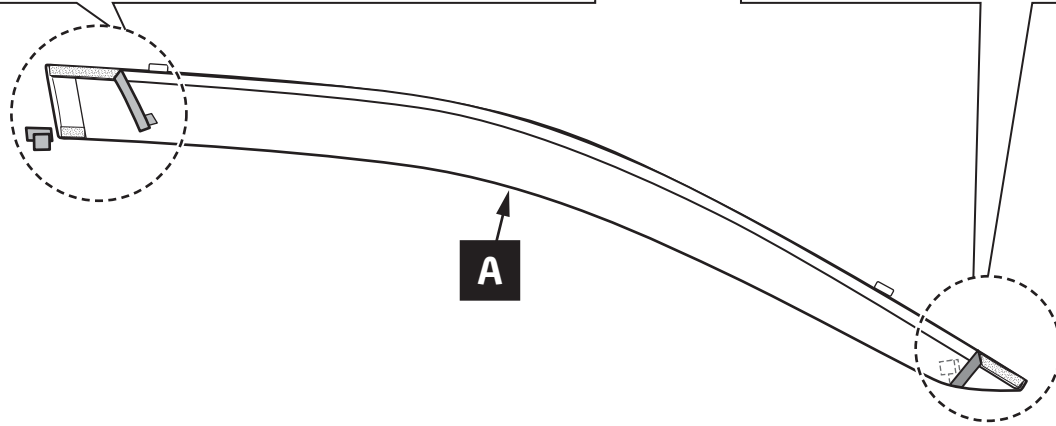
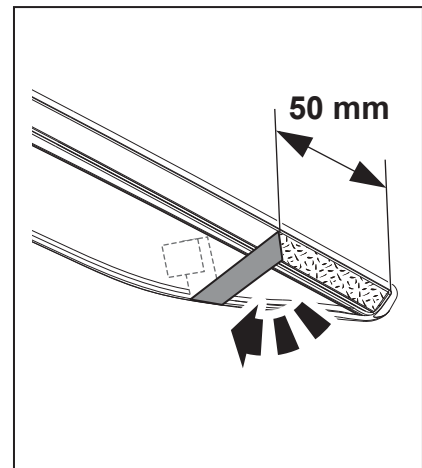
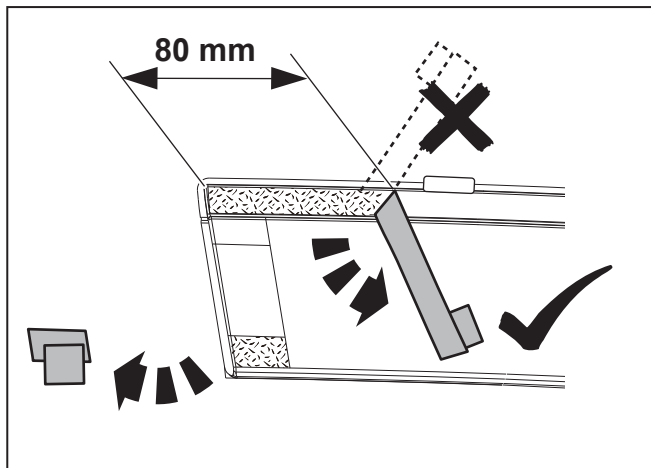
<p>1</p>	<p>< 20°C → 2</p> <p>20°C - 40°C → 4</p>	<p>2</p>
<p>3</p>	<p>20°C - 40°C → 4</p>	<p>INFO</p>

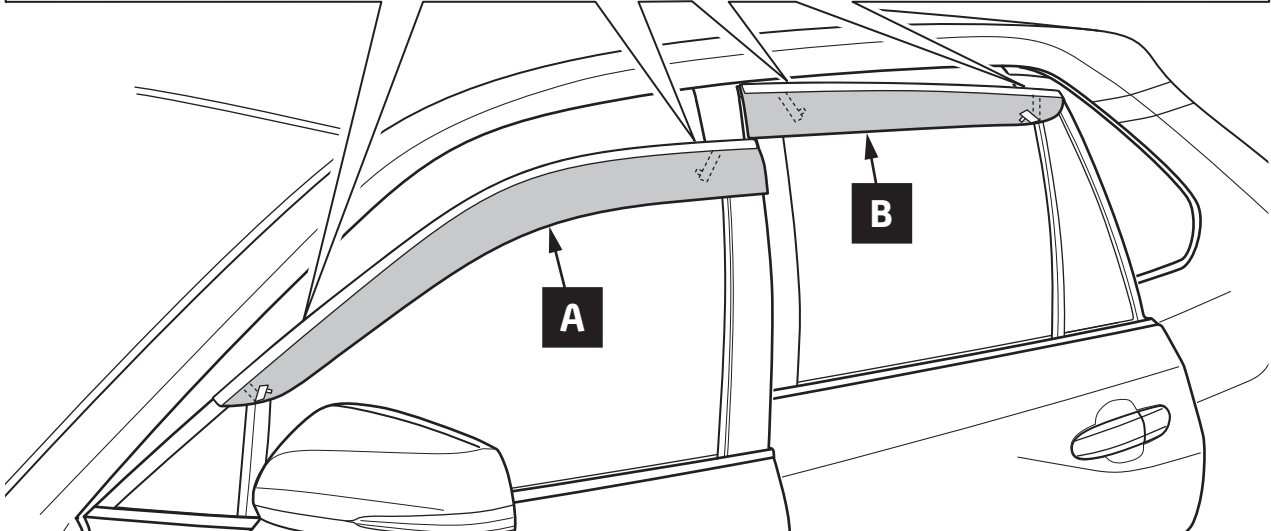
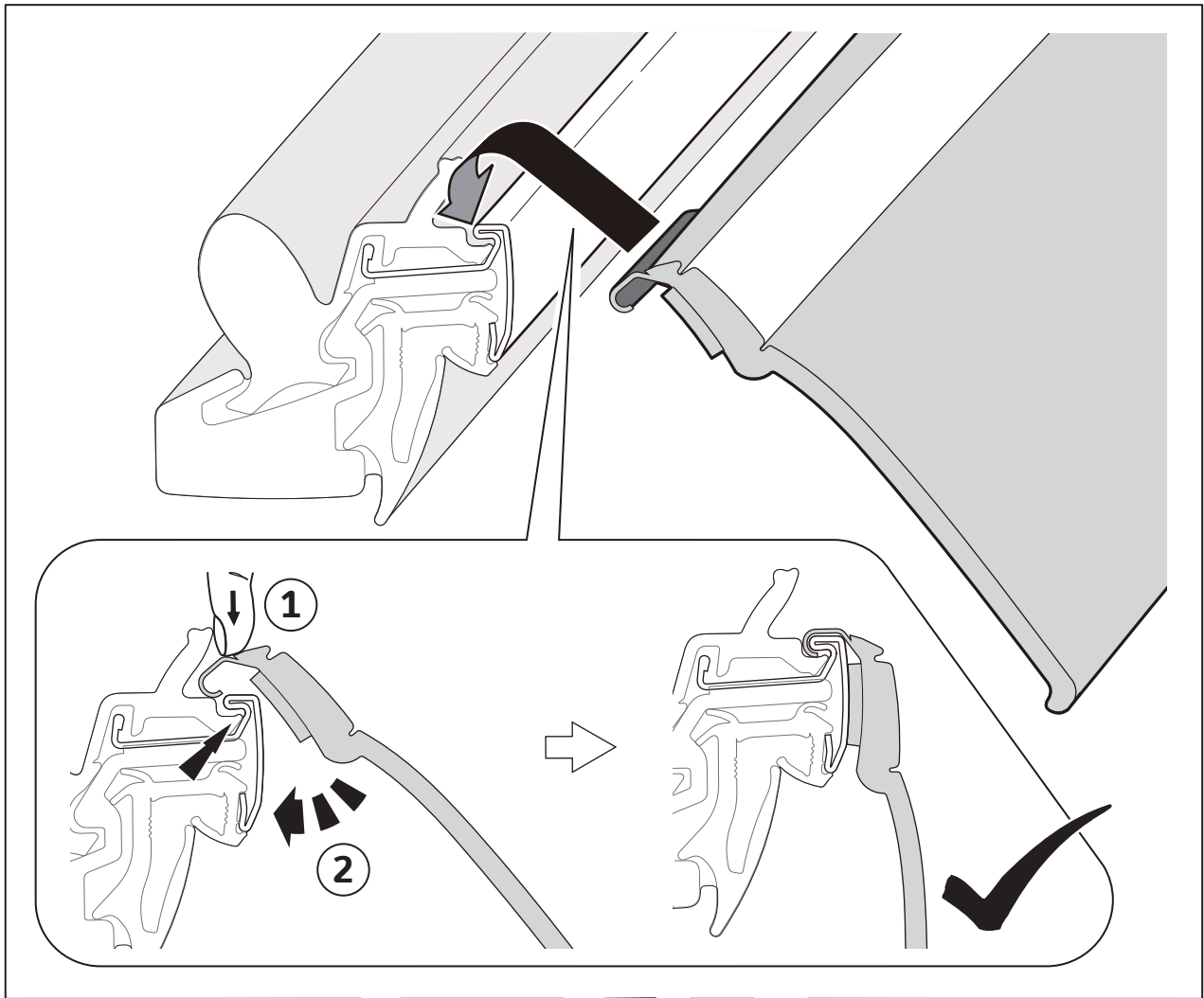
3

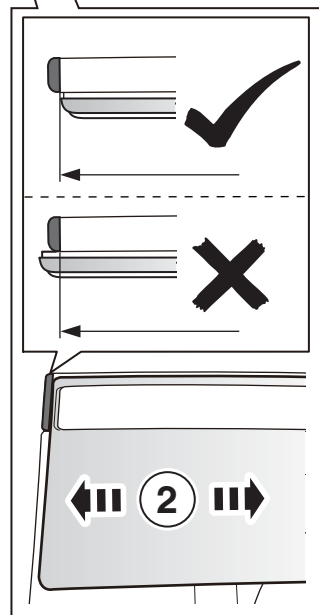
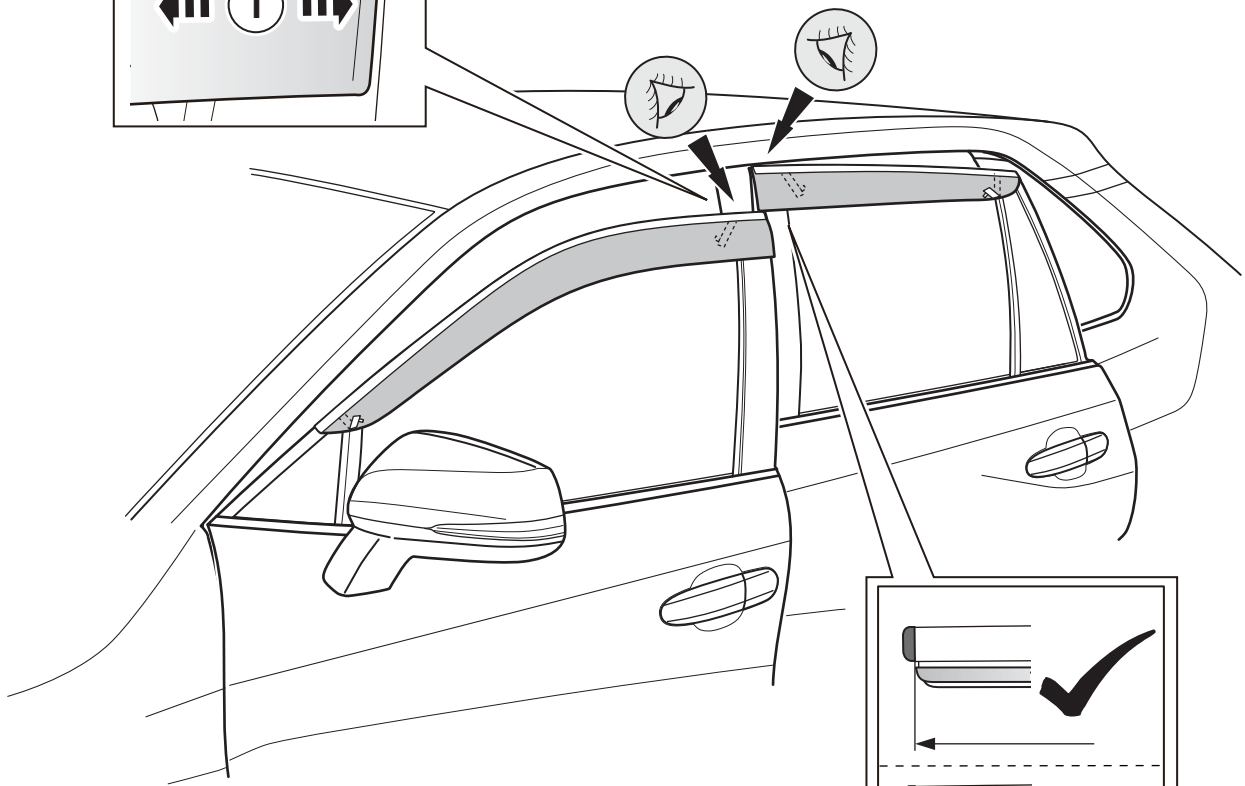
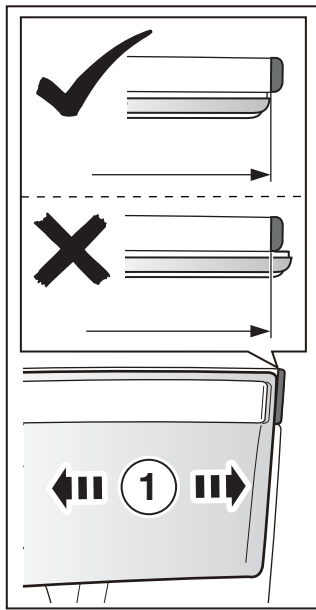


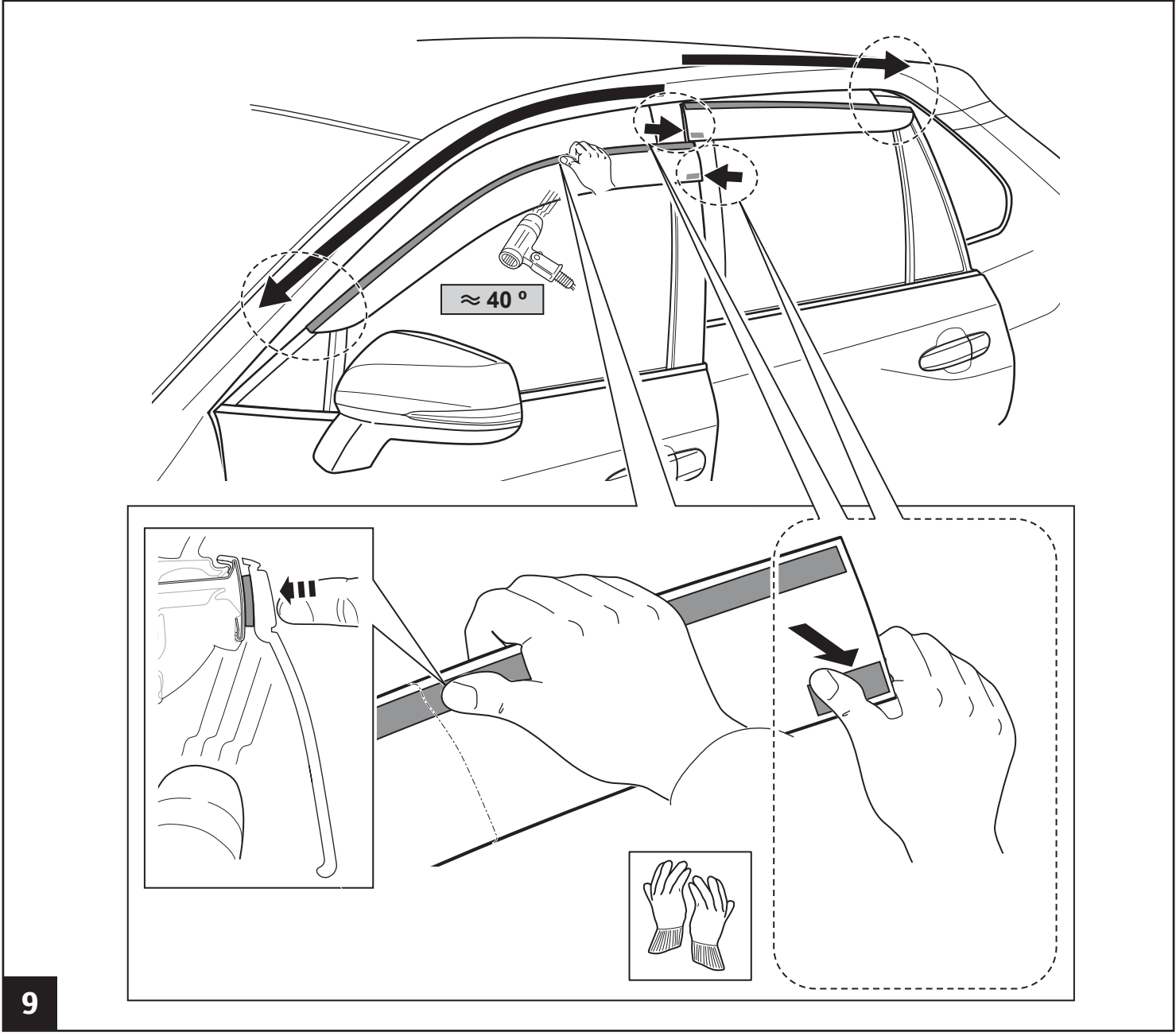
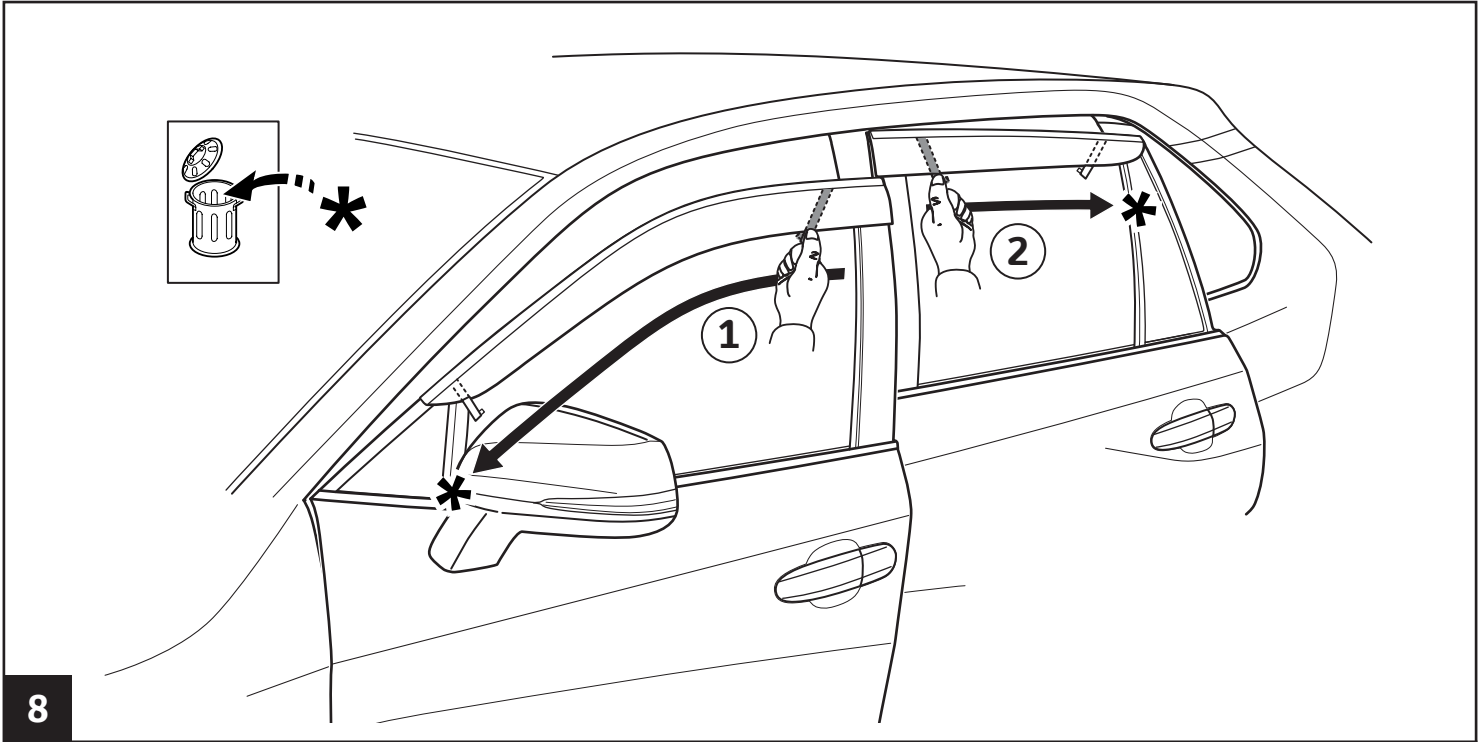
<p>1</p>	<p>< 20°C → 2</p> <p>20°C - 40°C → 5</p>	<p>2</p>
<p>3</p>	<p>20°C - 40°C → 5</p>	<p>INFO</p>

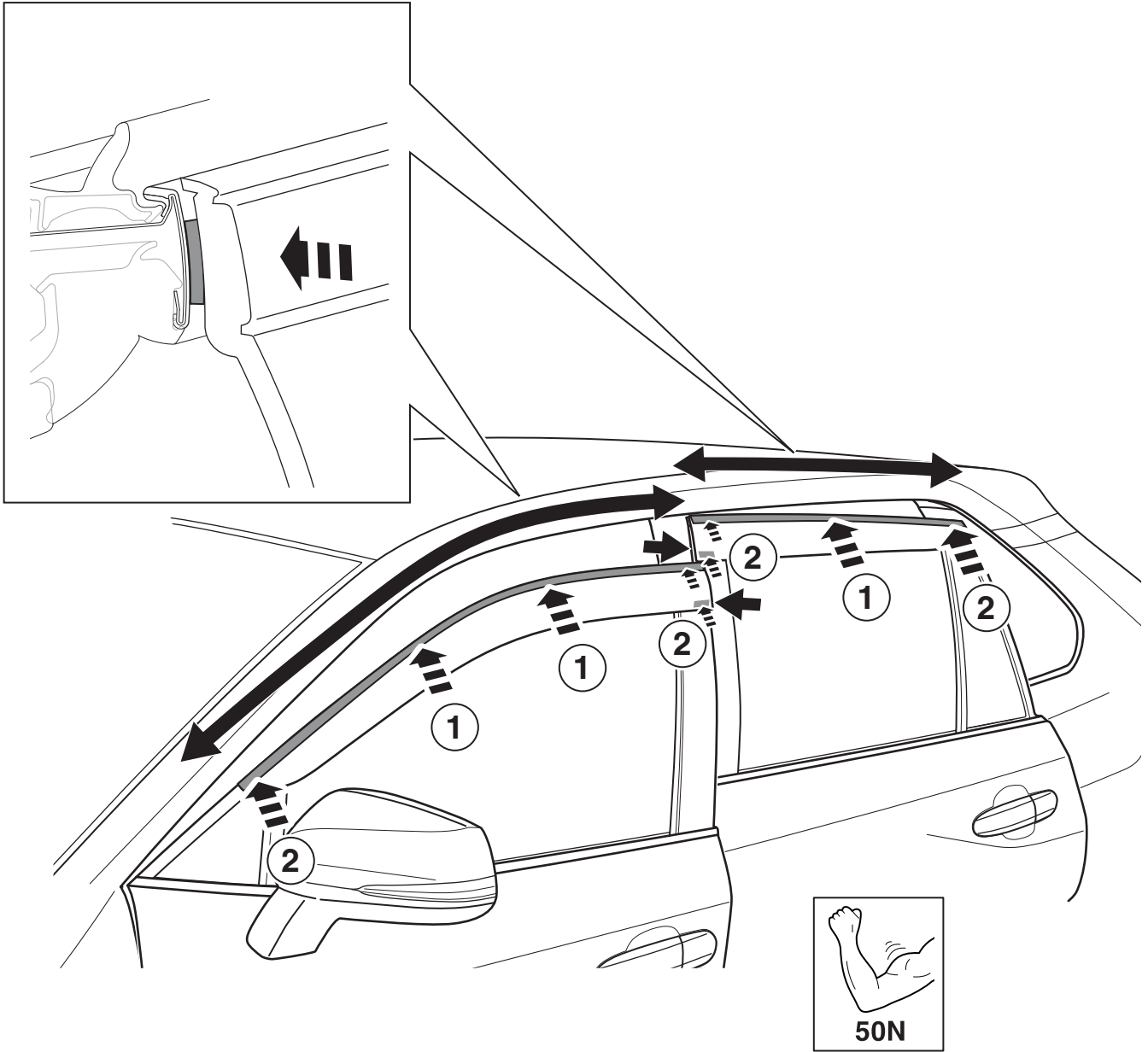
4



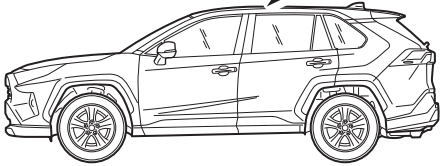






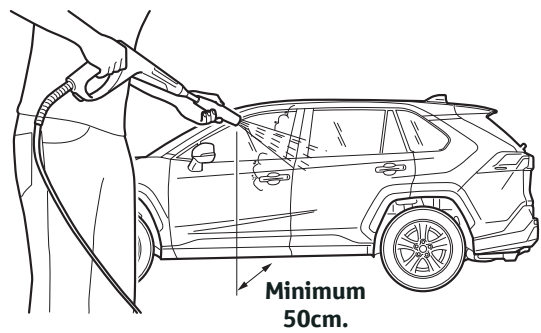
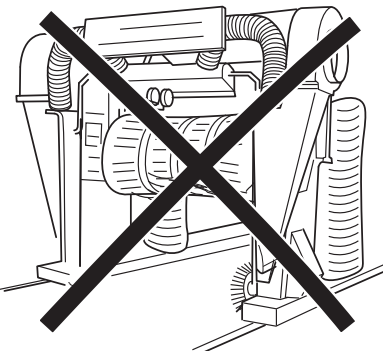
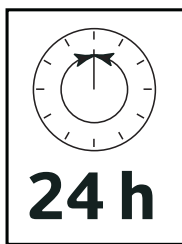
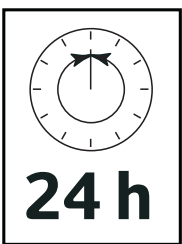
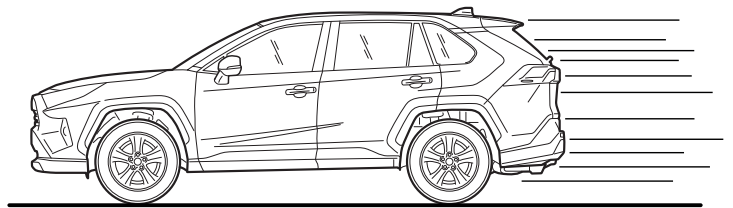
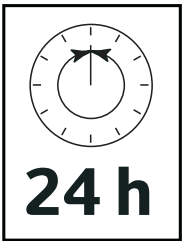


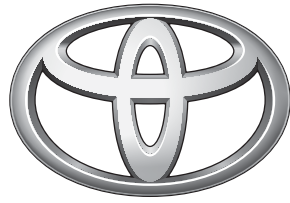
RHS = LHS



11

INFO





TOYOTA



TOYOTA

ALWAYS A BETTER WAY

CHECK SHEET

Page 1 of 1


Model/Year RAV4 As from 2018/11
RAV4 Plug-in Hybrid As from 2020/06

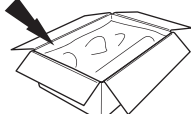
Wind deflectors -
full set

VIN n°

DURING INSTALLATION


1

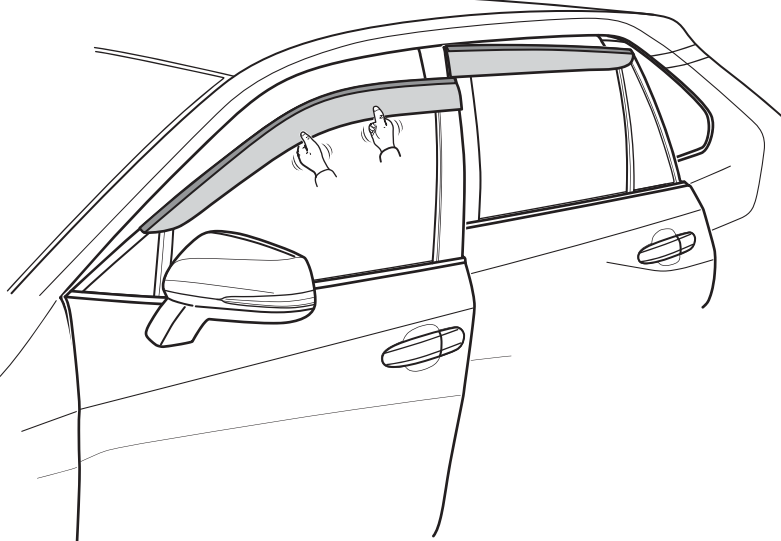
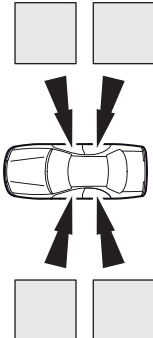
 P/N = OK



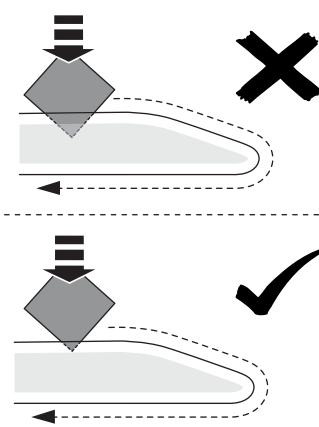
AFTER INSTALLATION

1

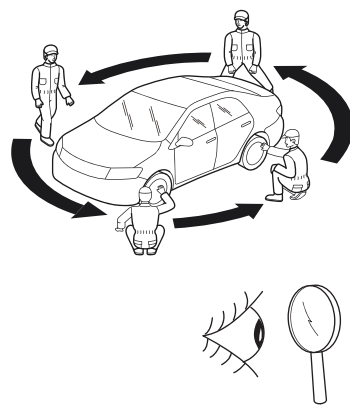
 CHECK

2



3



= OK

Installation Date:

... / ... / ...

Technician Name & Signature:

Stamp:

