



# Prius

## Wind Deflectors

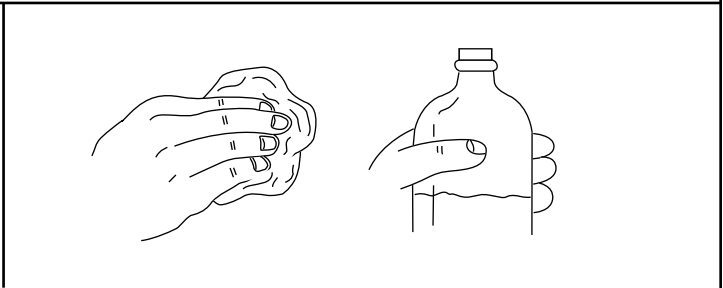
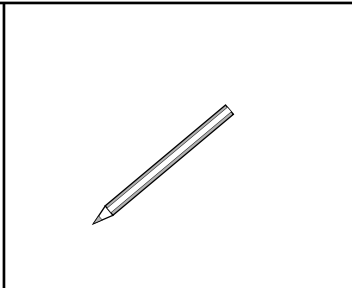
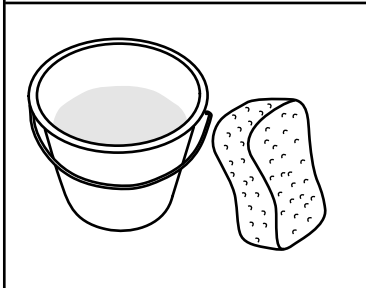
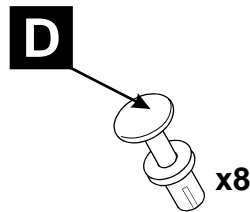
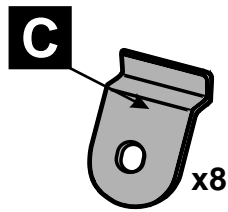
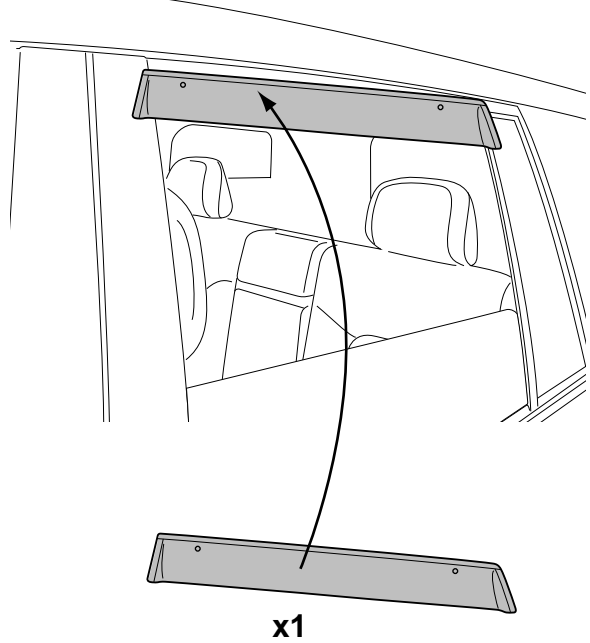
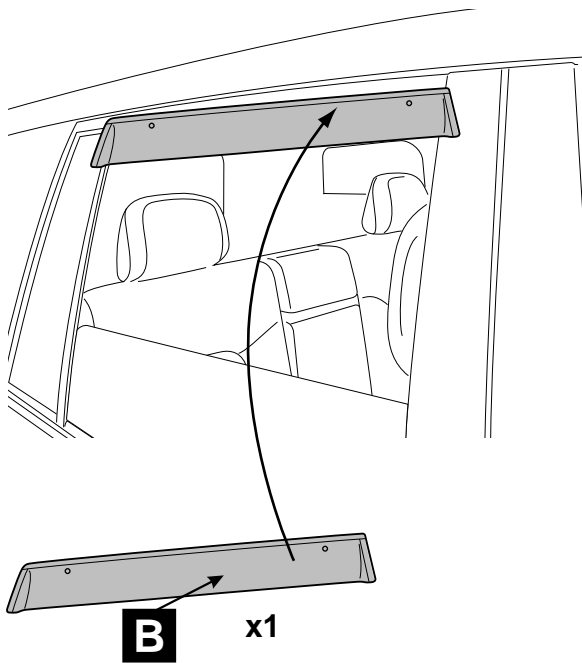
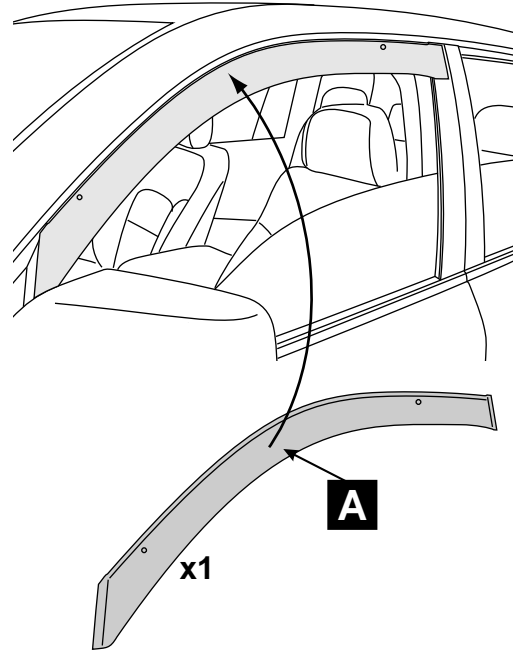
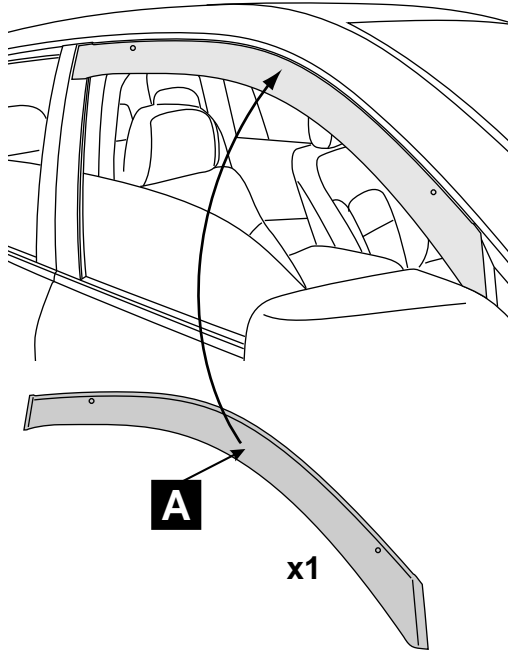
### Installation instructions

Model year: 2009  
Vehicle code: ZVW30\*-AHXEBW  
Part number: PZ451-G0530-ZA



Weight: 1.60 kg

Manual reference number: AIM 001 617-0



**1**

15°C

✓ ↑  
✗ ↓

☀️ ✓  
☔️ ✗

**2**

**3**

**4**

1mm

1mm

A

**5**

1 CLEANER

2 DRY

**6**

A

C

**7**

2-3cm

A

45°

**8**

1mm

A

