



All Models

Bike Holder

Installation Instructions

Part number: PW308-00007

Latest Version
SCAN HERE



Manual reference number: AIM 005 503-0

THINK BEFORE YOU PRINT

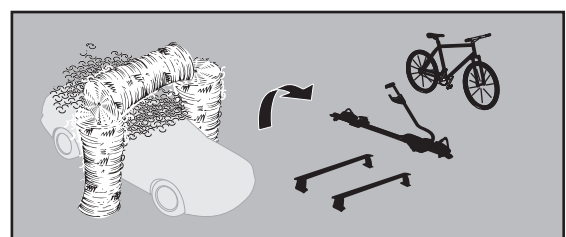
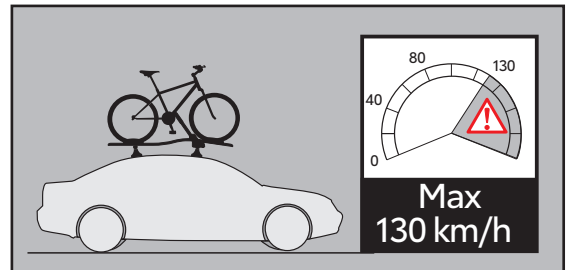
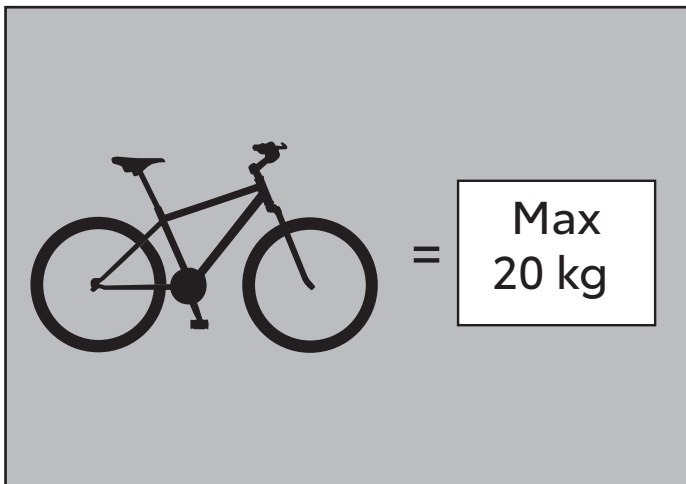
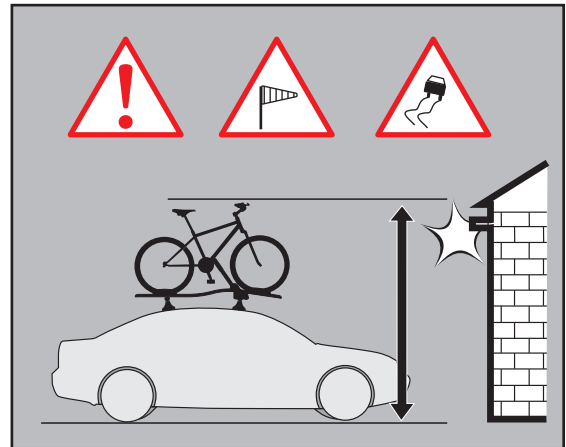
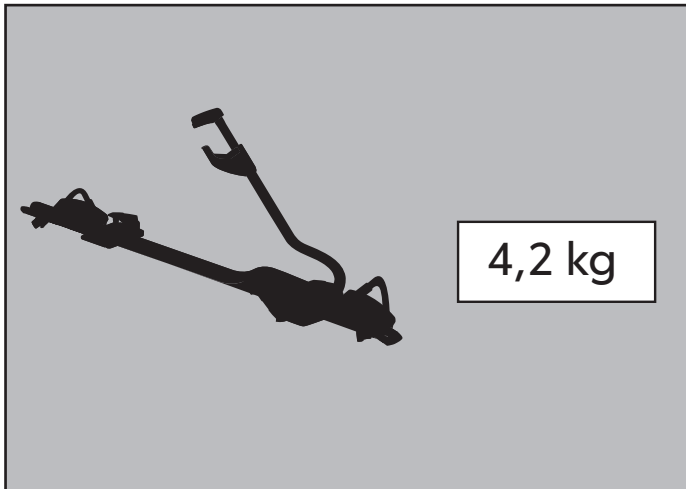


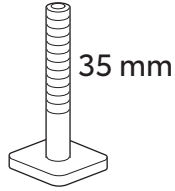
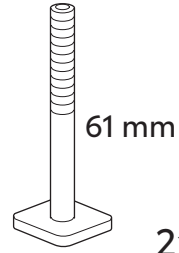
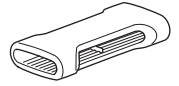
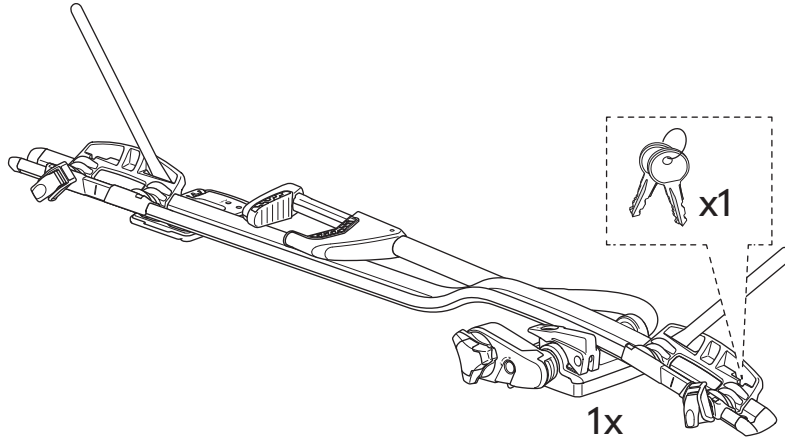
ONLINE = LATEST VERSION
GO DIGITAL!

Revision Record

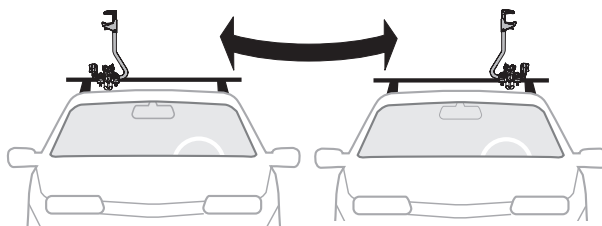
Rev. No.	Date	Page	Step	Remarks

GENERAL

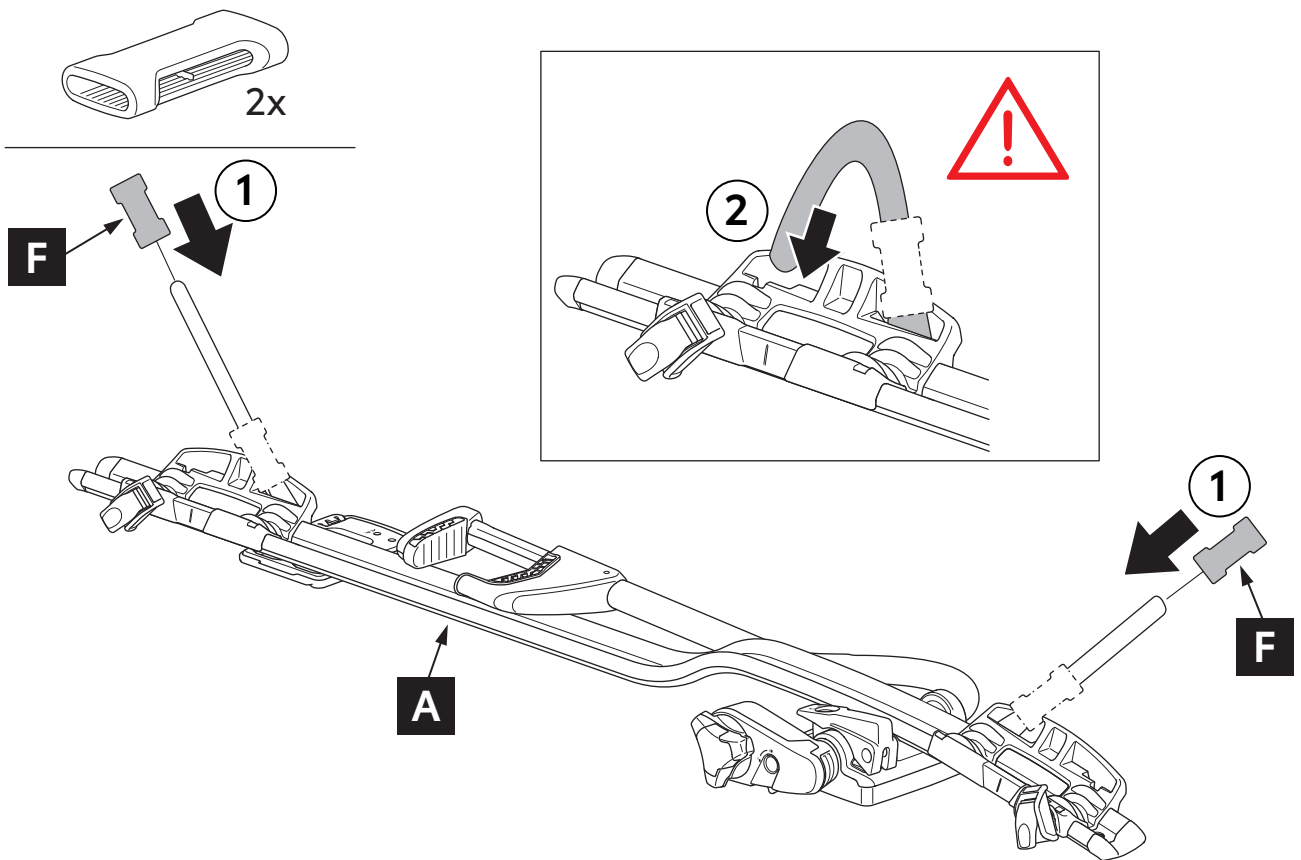


KIT CONTENT**PW308-00007****B** 3x**C** 2x**D** 1x**E** 2x**F** 2x**A** 1x**GENERAL**

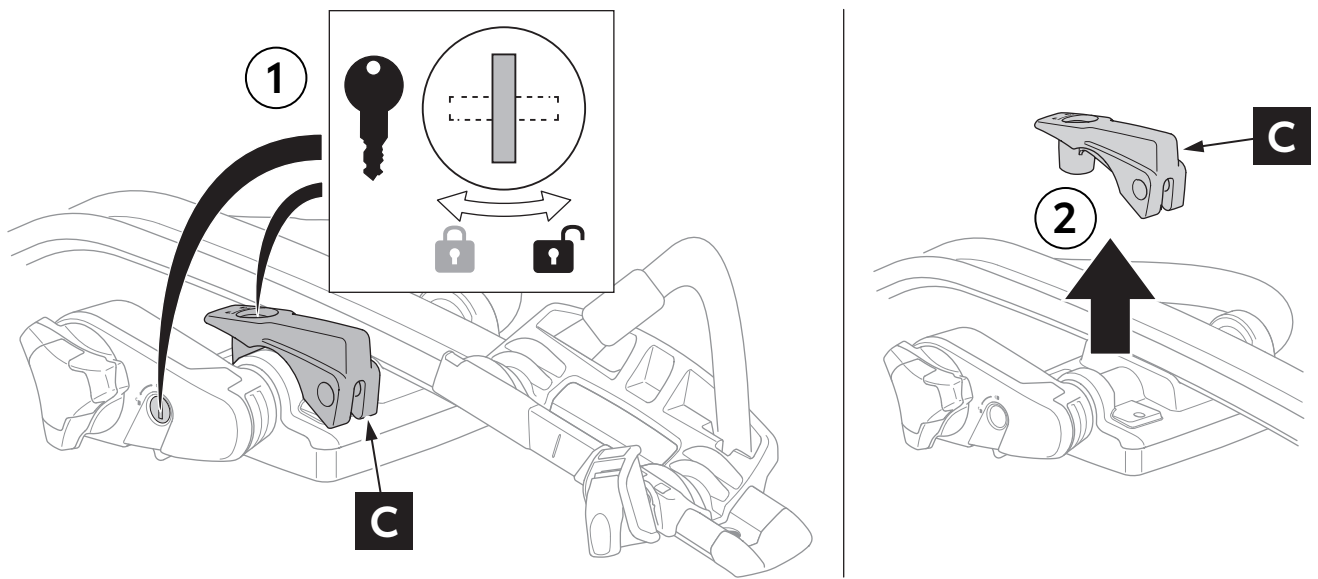
Info

**14-15**

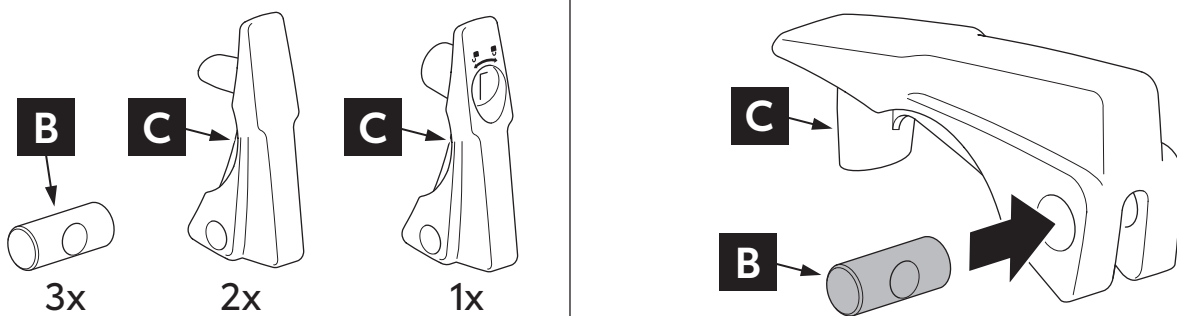
INSTALLATION INSTRUCTIONS



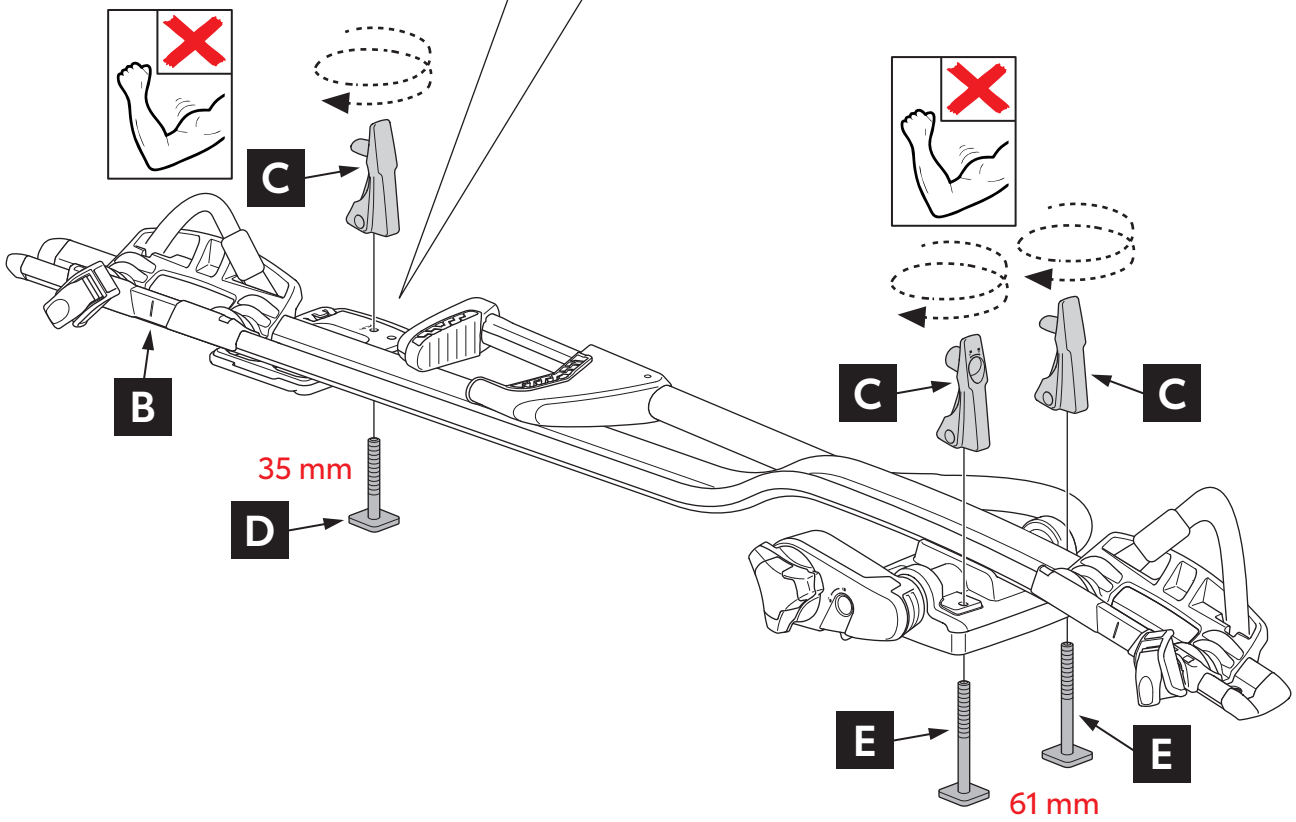
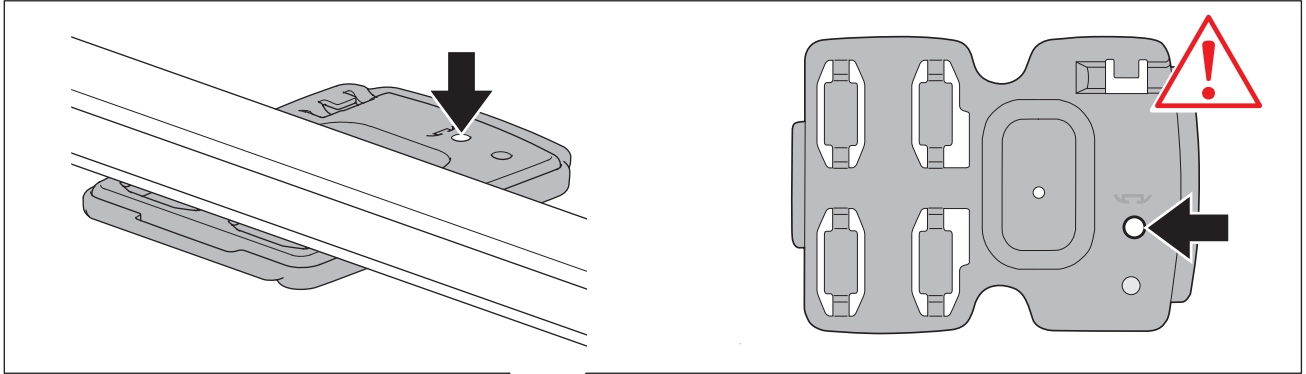
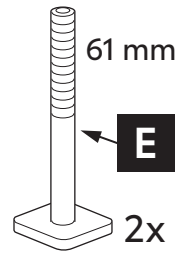
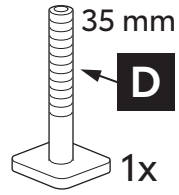
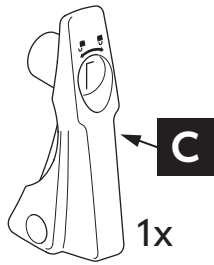
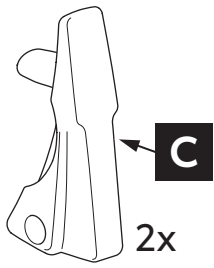
1



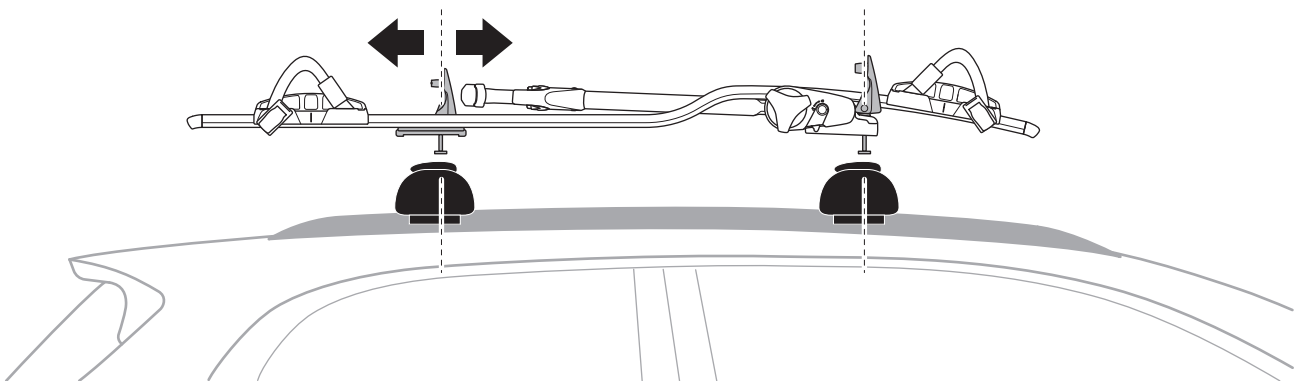
2



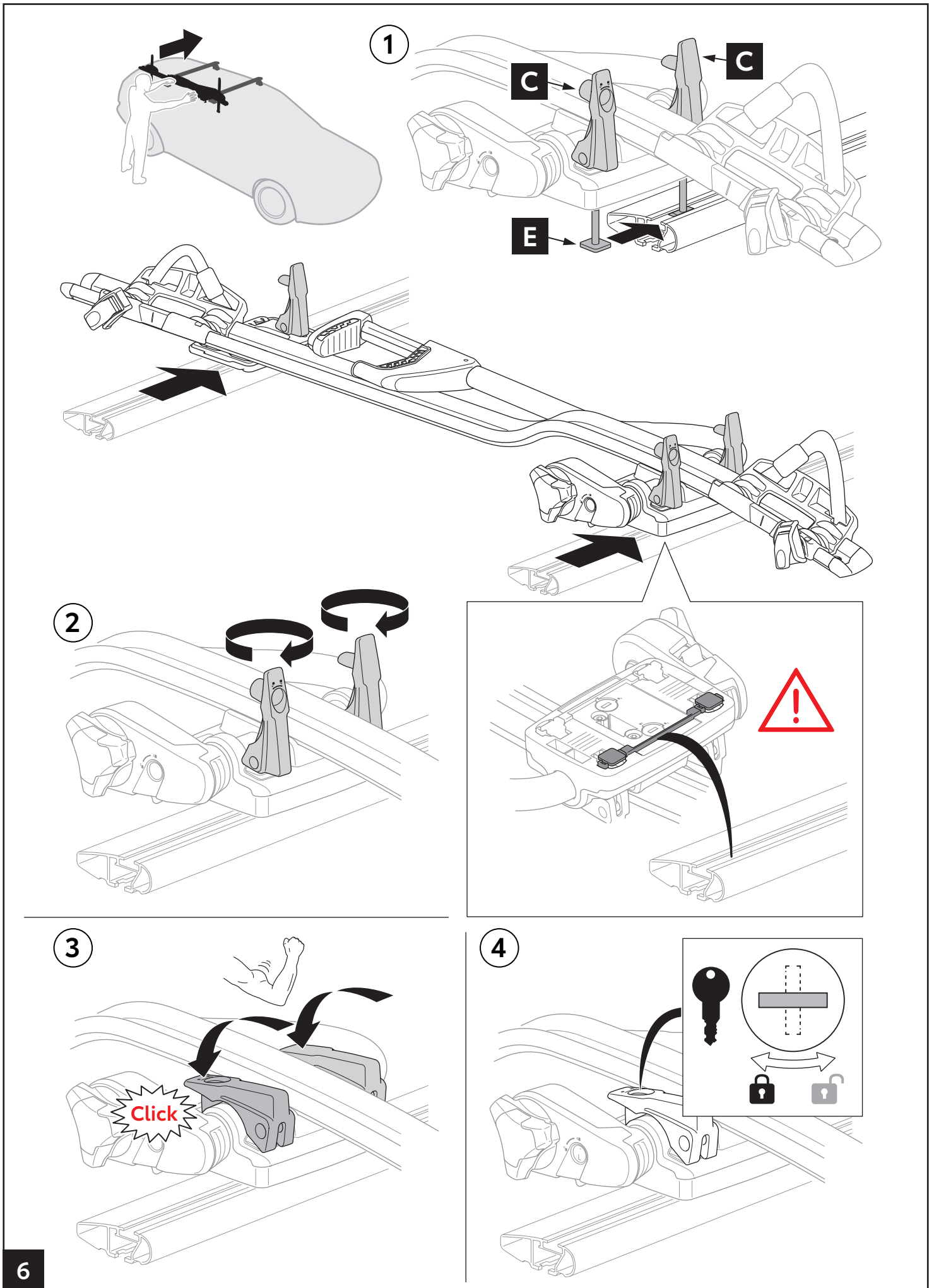
3



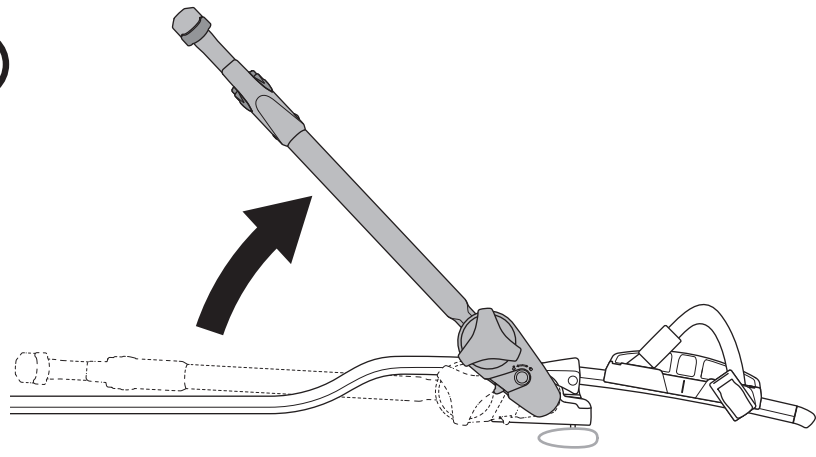
4



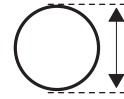
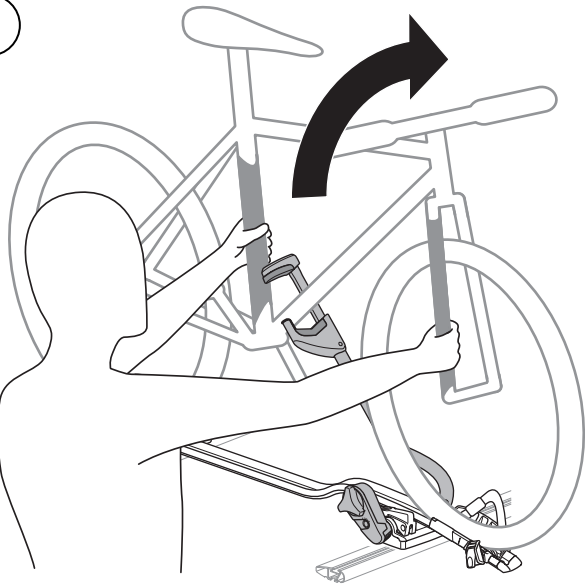
5



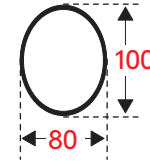
1



2

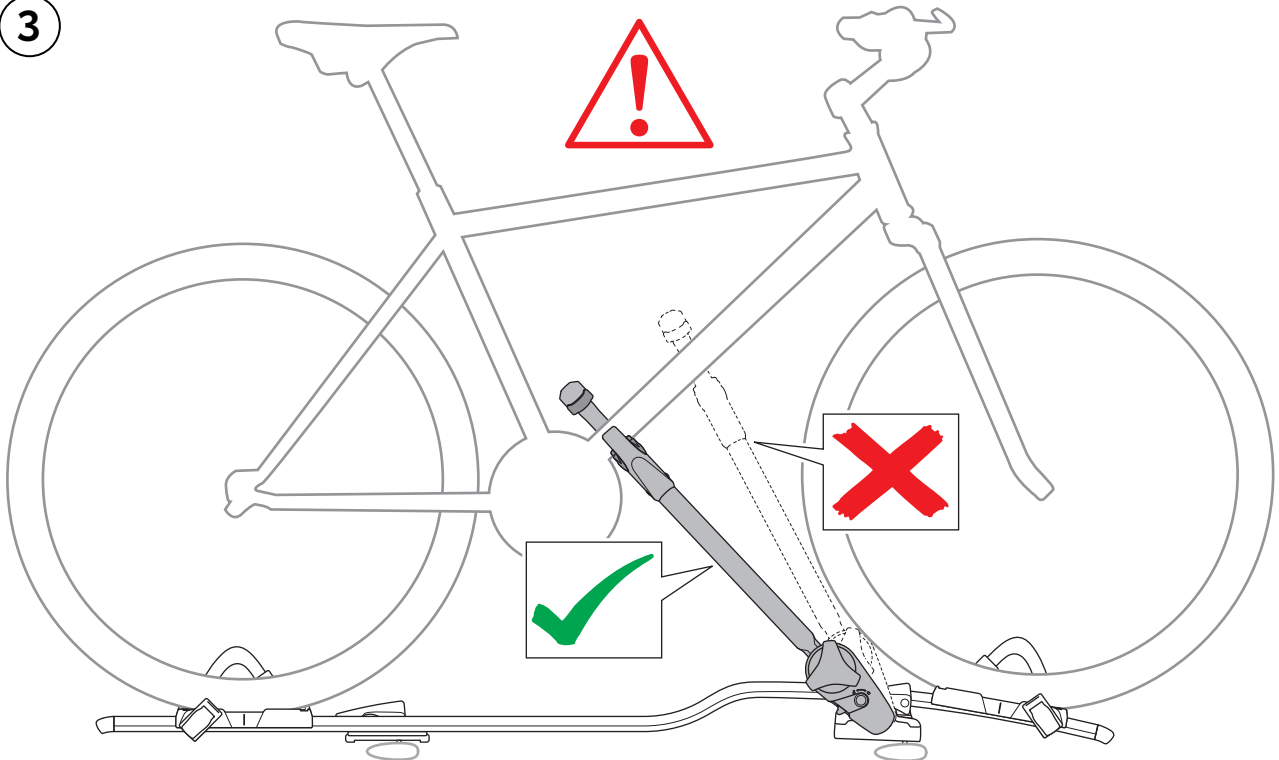


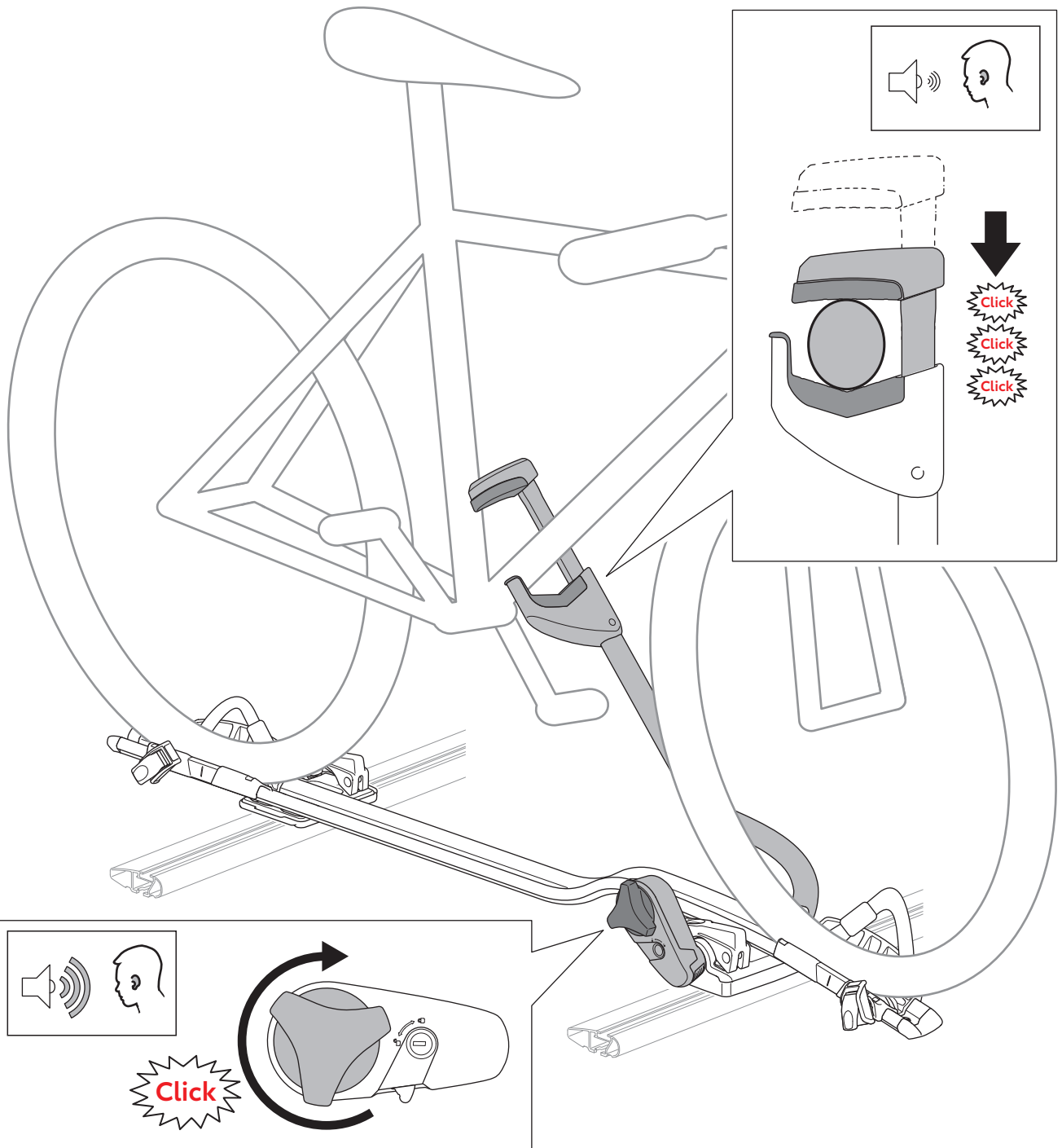
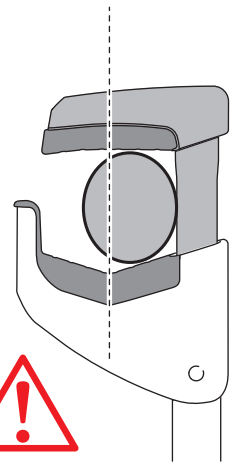
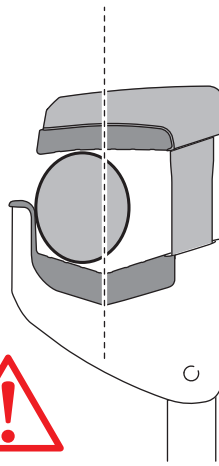
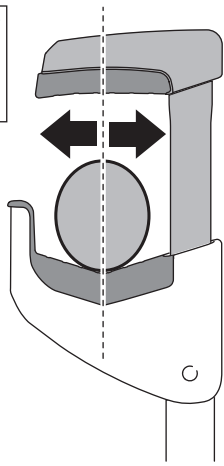
∅ 22-80 mm

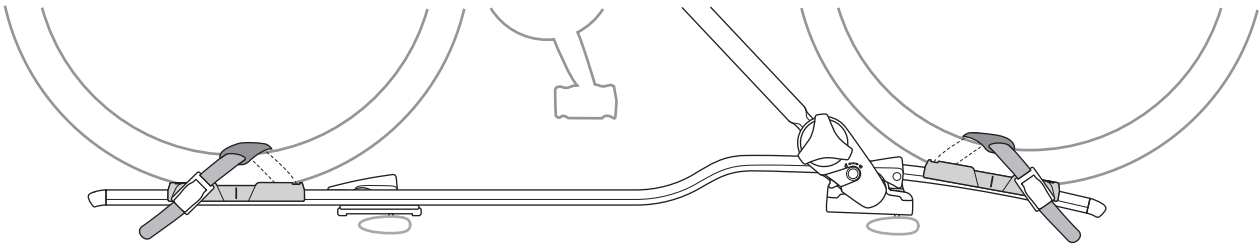


Max
80x100 mm

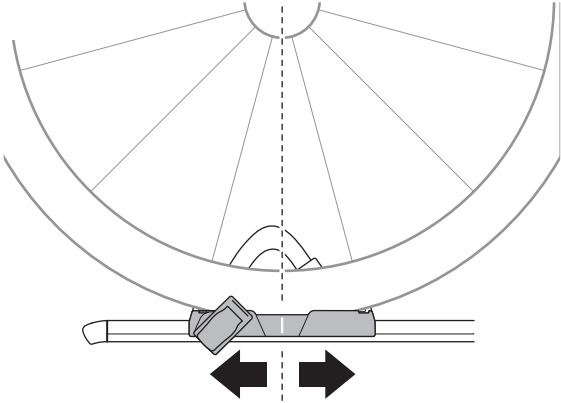
3



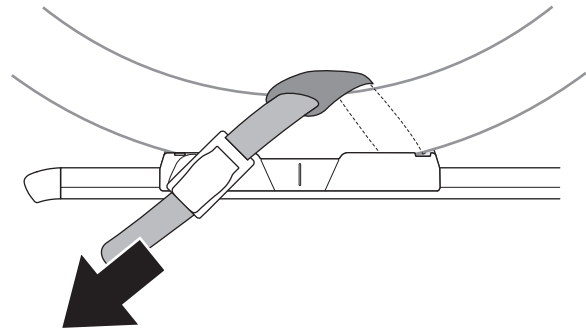




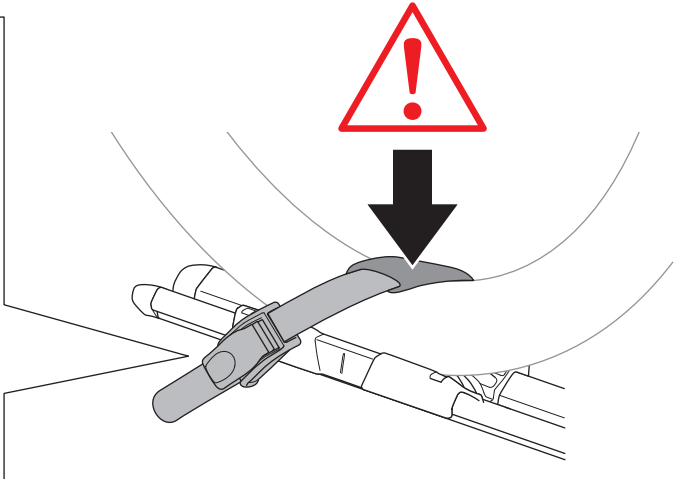
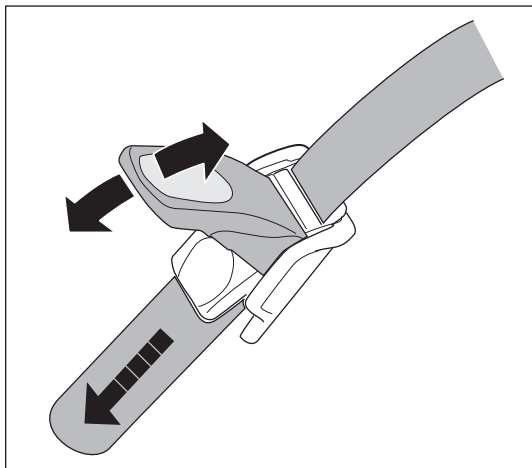
1



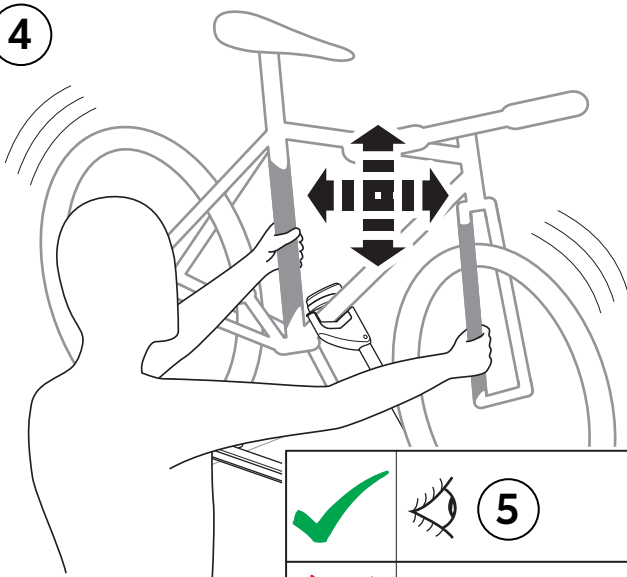
2



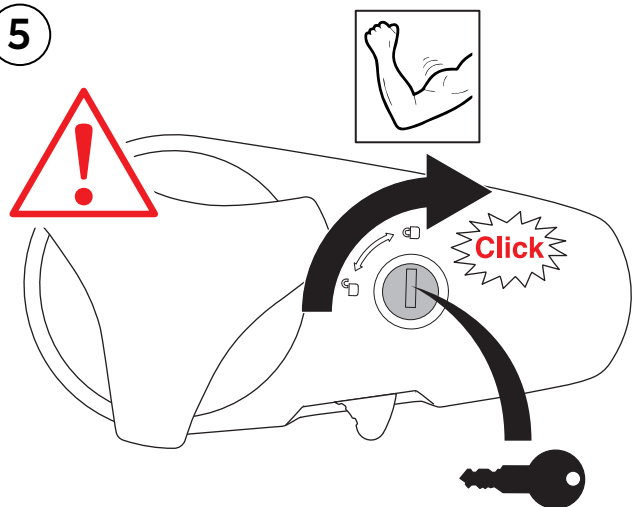
3



4



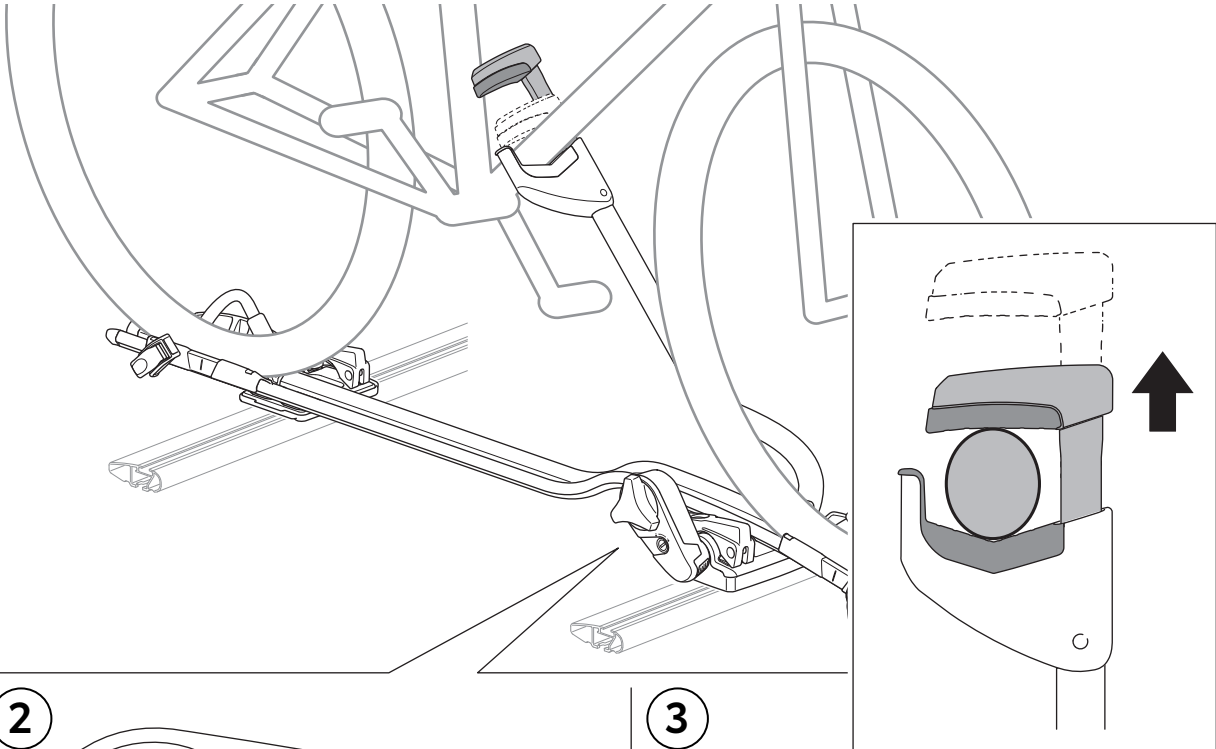
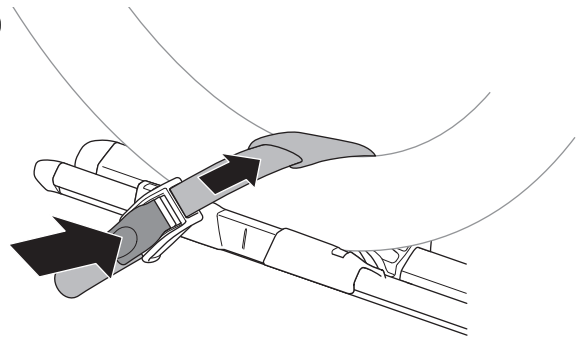
5



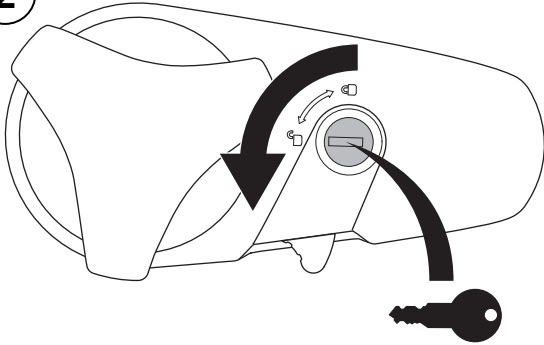
✓	5
✗	7-9



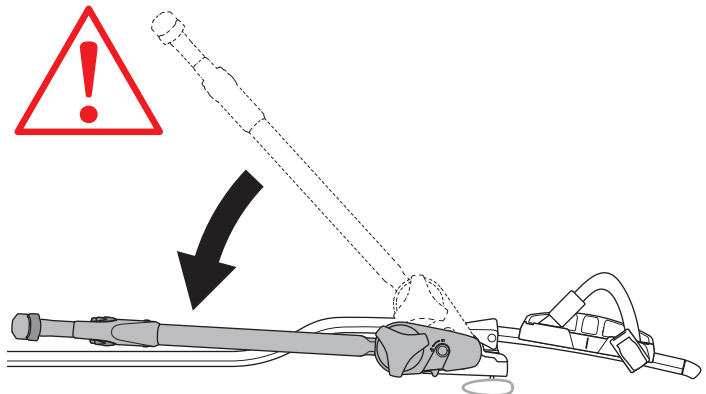
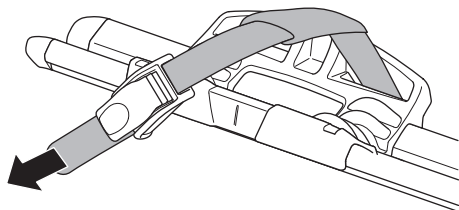
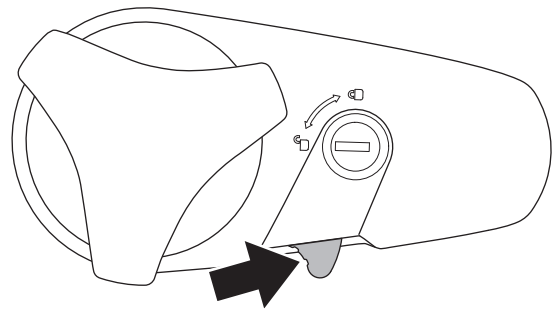
1

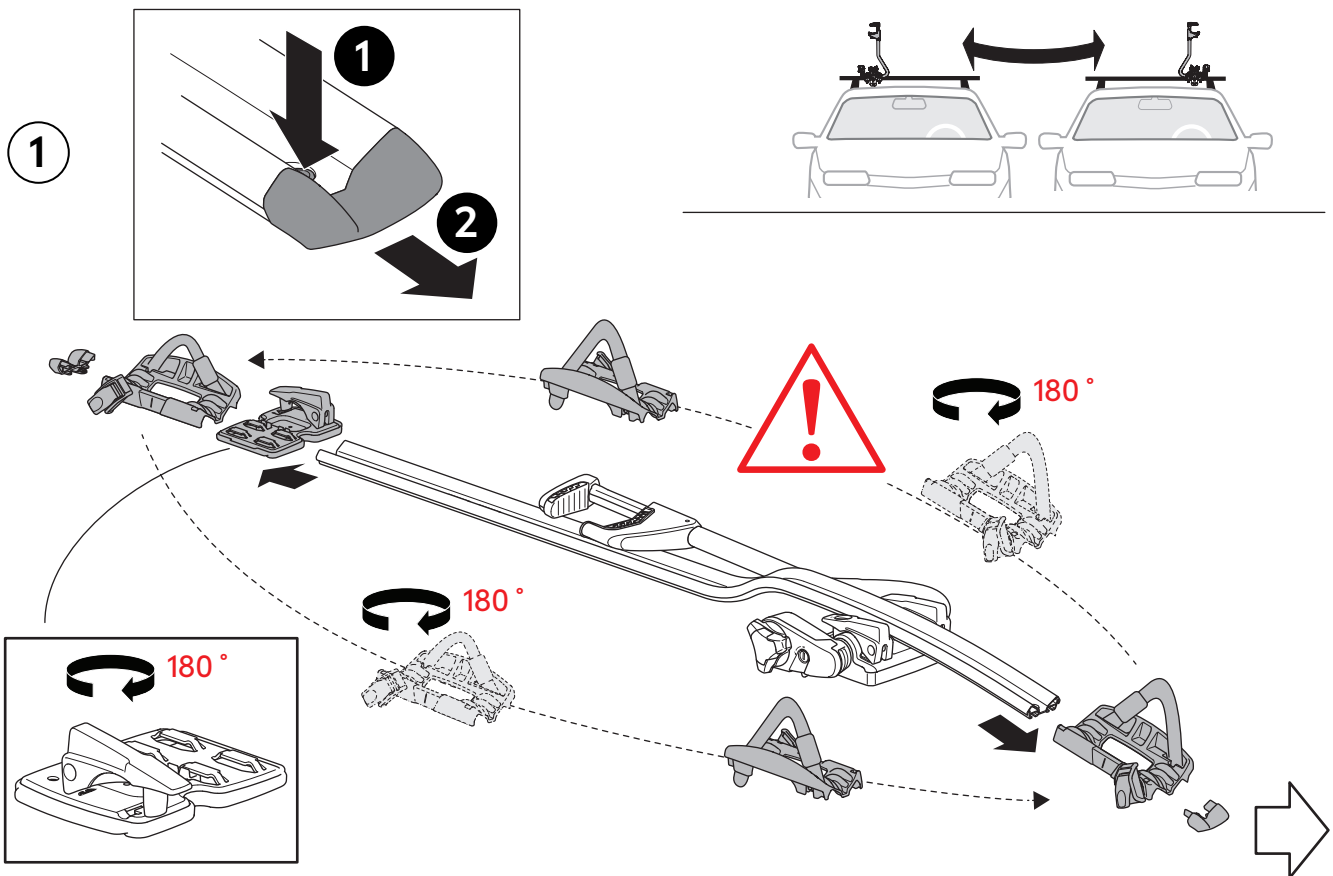
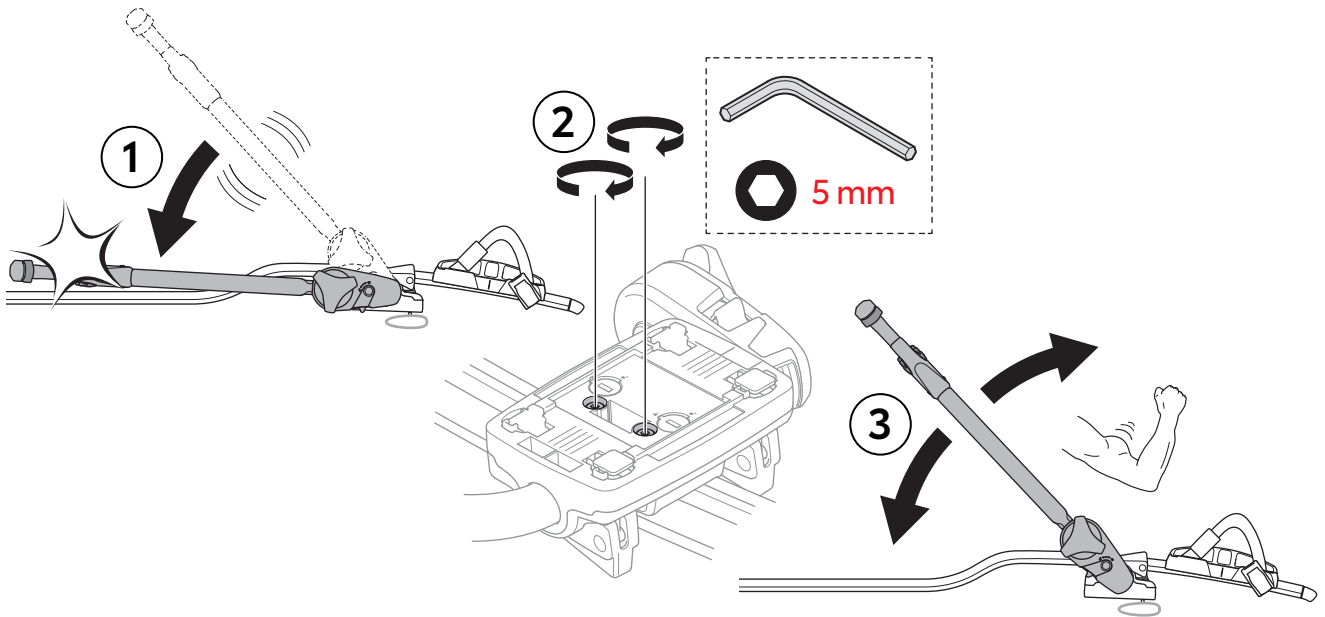


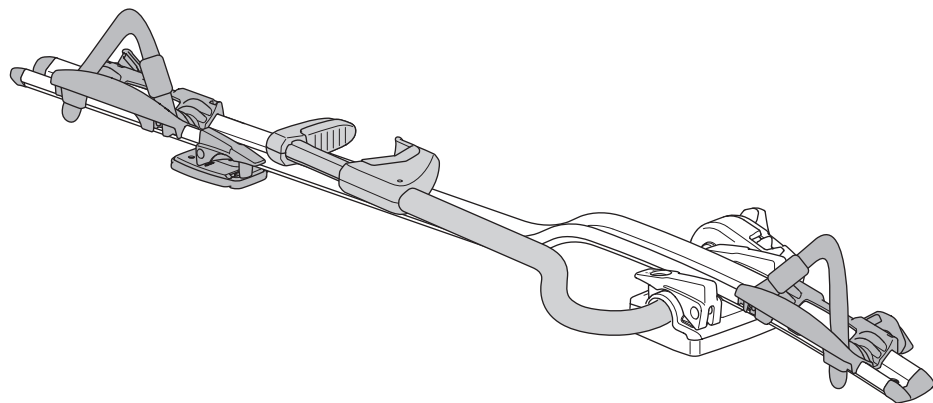
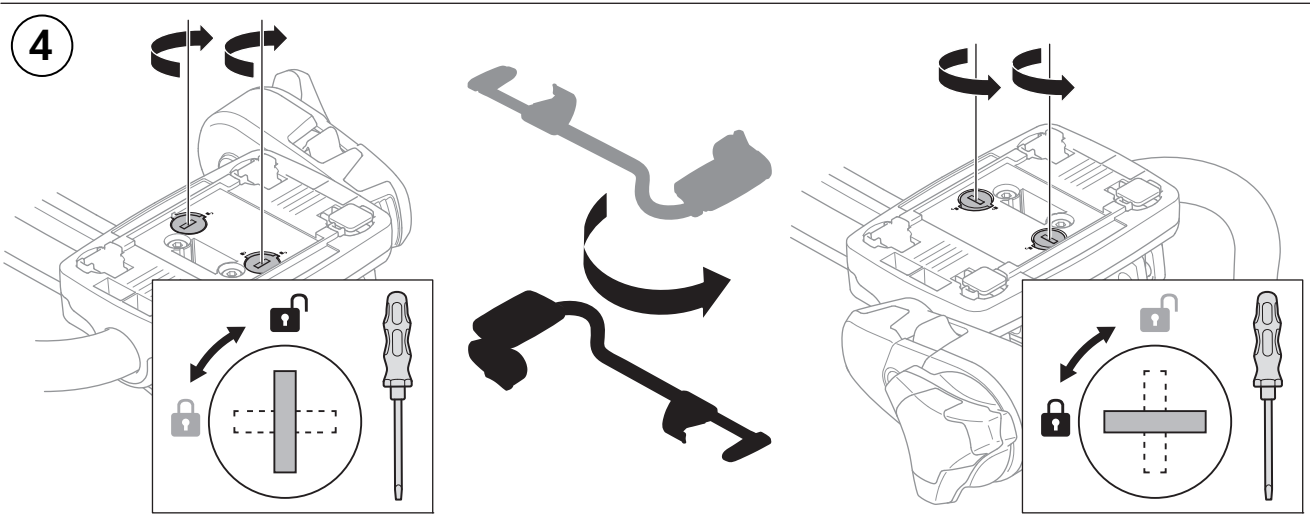
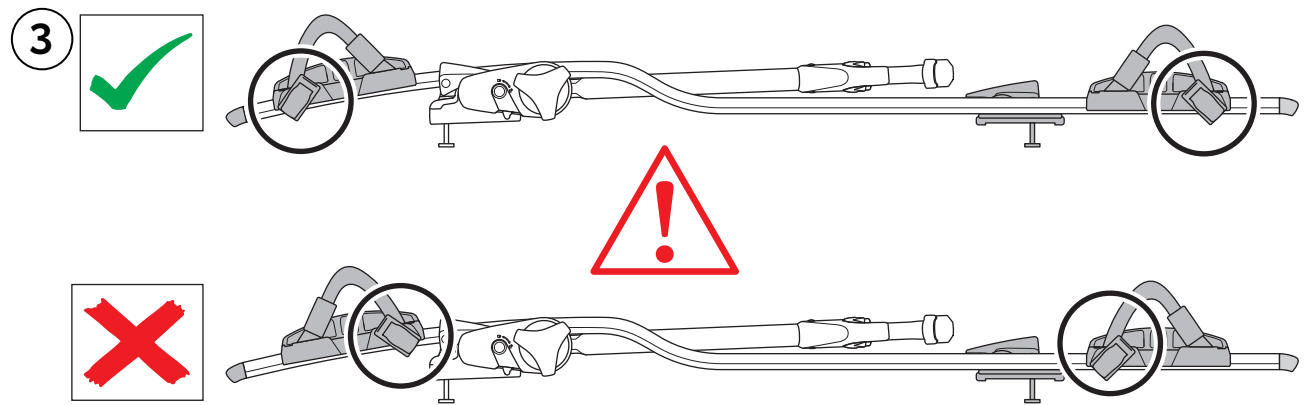
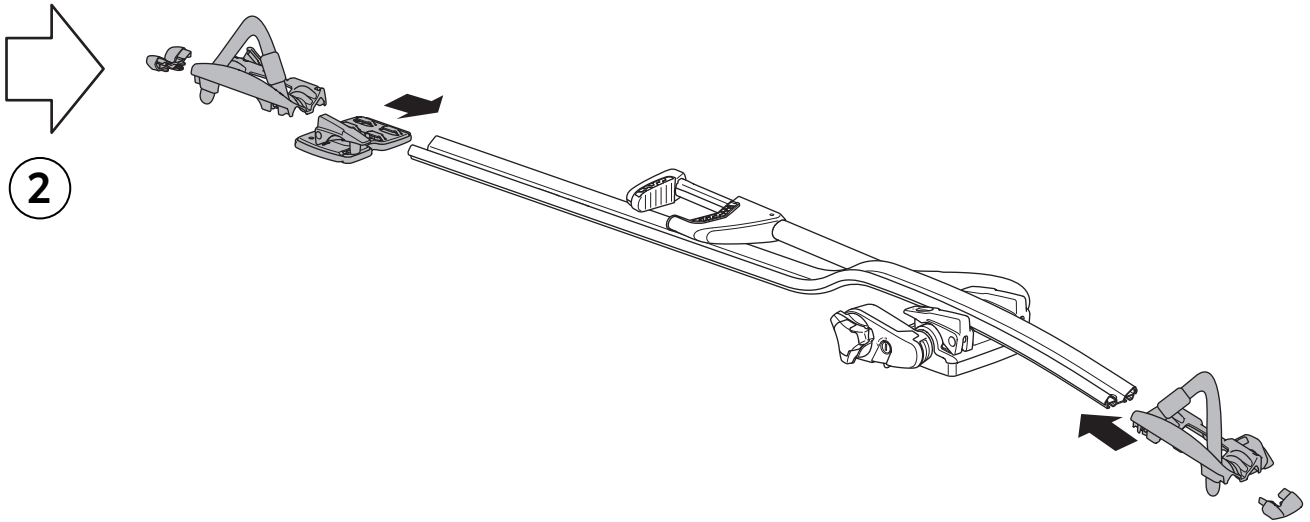
2

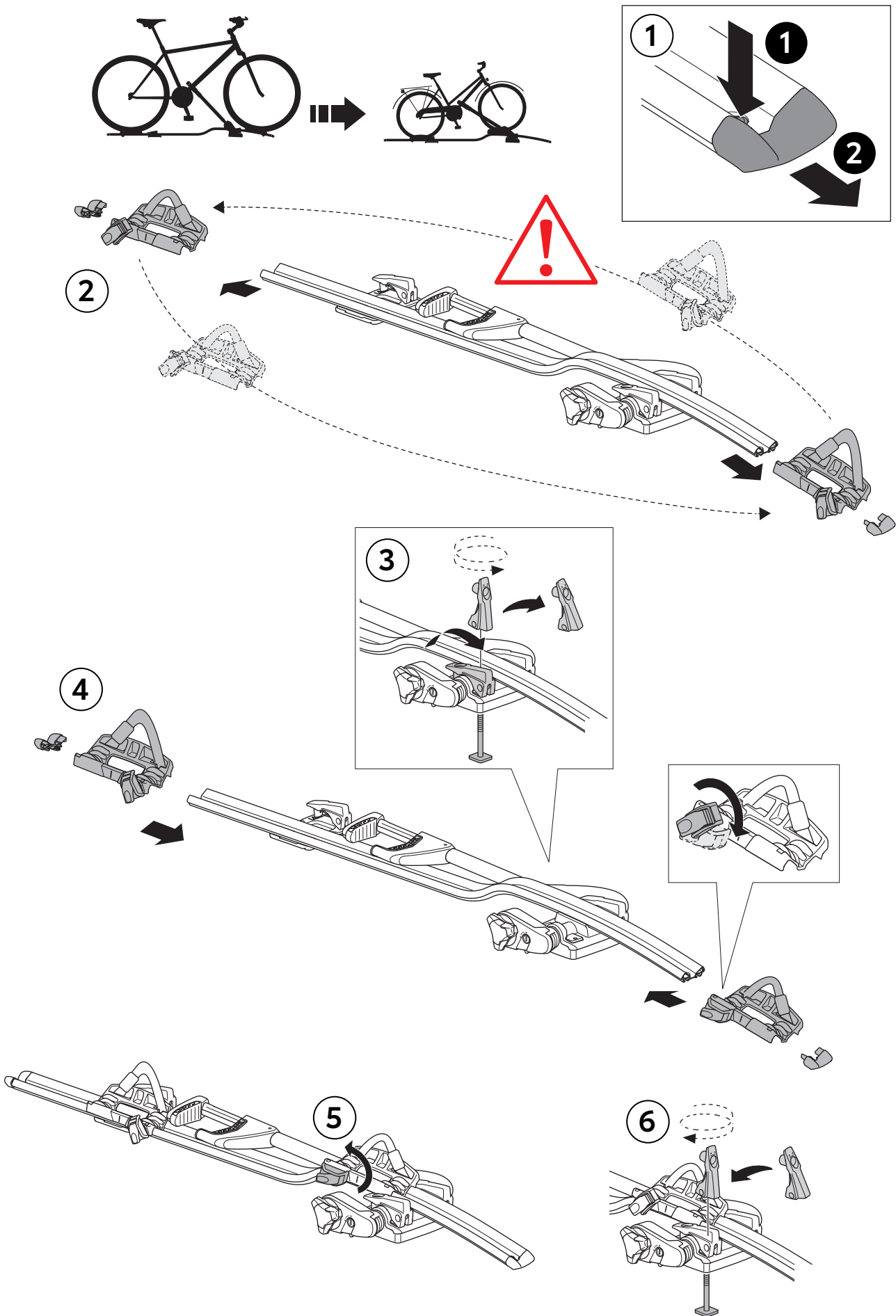


3





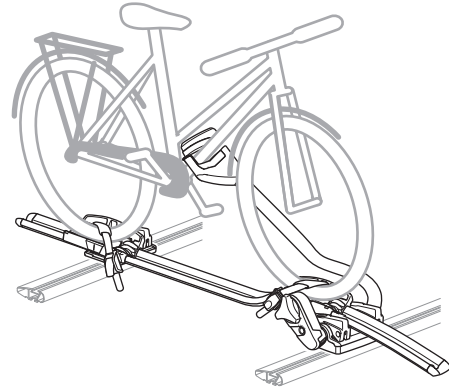
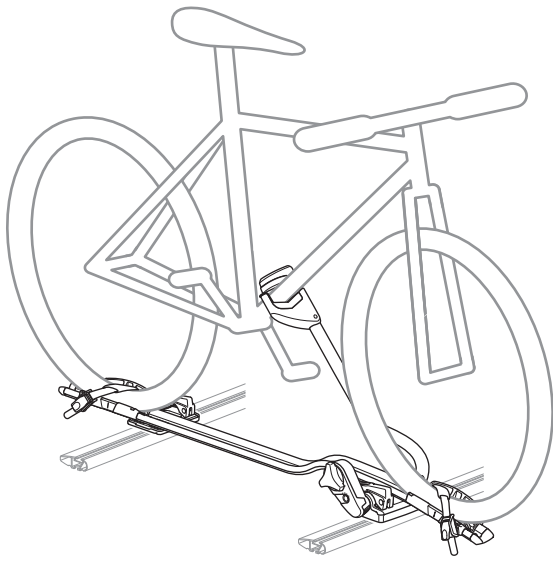
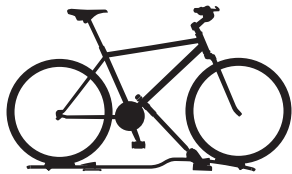




GENERAL



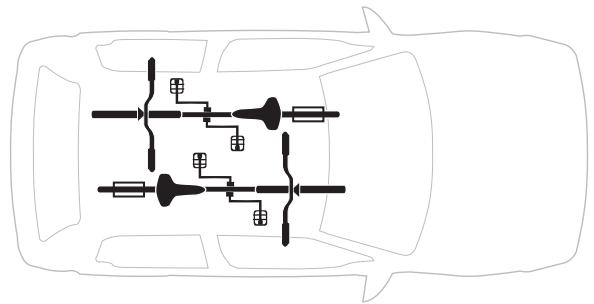
Info



GENERAL



Info



GENERAL



Info

